

DREA WALL-MOUNT TUB FAUCET

SKU: 953917

Code: SHDRWMTF, SHDRWMTF, SHWMR2000



FEATURES

Installation Type: Wall Mount
Material: Metal
Length: 13-5/16"
Width: 11-1/4"
Height: 2-3/8"
Base Plate Length: 2-3/8"
Assembly Required: Yes
Faucet Centers: 8"
Drain Included: No
Handle Type: Lever
Base Plate Width: 2-3/8"
Diverter Included: No
Height To Spout: 1-1/4"
Spout Reach: 11"
Swivel Spout: No
Hot and Cold Indicators: No
Handle Material: Metal
Tub Faucet Material: Metal

ASME A112.18.1/CSA B125.1

NSF/ANSI 372

NSF/ANSI 61

NSF/ANSI/CAN 61

ICC/ANSI A117.1

Massachusetts Accepted



REVISED 3/18/2024

DREA WALL-MOUNT TUB FAUCET

SKU: 953917

Code: SHDRWMTF, SHDRWMTF, SHWMR2000

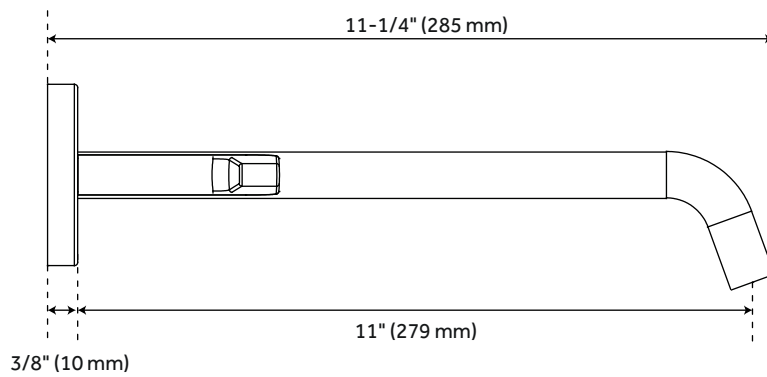
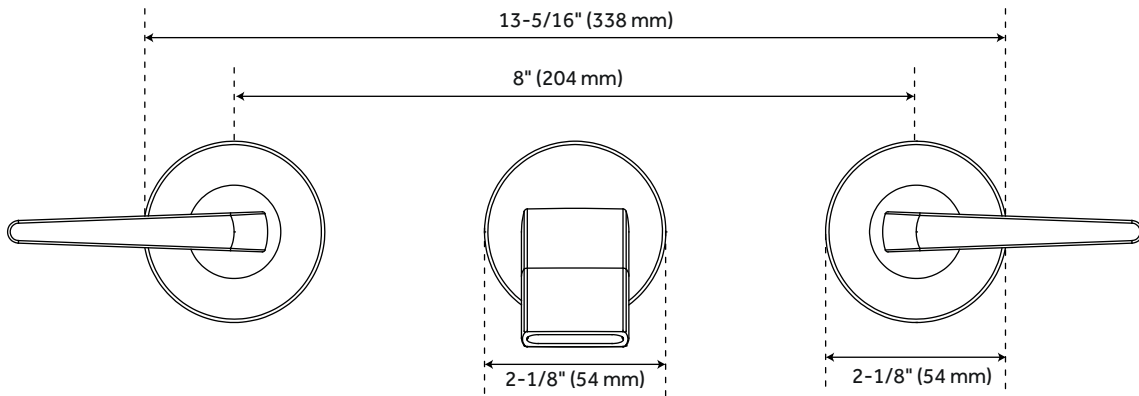


ADDITIONAL FEATURES

- Metal construction for ultimate strength and durability.
- Fits 3-hole 8" wall installations.
- Drain assembly sold separately.
- 14 gpm (53L/min) at 60 psi when purchased with valve.

REVISED 3/18/2024

DREA WALL-MOUNT TUB FAUCET



All dimensions and specifications are nominal and may vary. Use actual products for accuracy in critical situations.