

LEXIA THERMOSTATIC SHOWER SYSTEM WITH 3 BODY SPRAYS, SLIDE BAR AND HAND SHOWER

SKU: 953783

Code: SHLE9009, SH6006, SHRSA122, SHRSB820RG, SHHS4030G, SHH1010, SHWE2040, SHLE9005, SH6103, SHLE9007, SH6040, SHSB3040, SHBS6010E, SH488922



ASME A112.18.1/CSA B125.1
WaterSense by IAPMO



FEATURES

Features: Rough-In Included; Hand Shower Included

Material: Metal

Assembly Required: Yes

Shape: Round

Handle Type: Lever

Body Spray Flow Rate: 2.5 gpm (9.5 L/min) @ 80 psi

Body Sprays: Yes

Number of Body Sprays: 3

Shower Head Installation Type: Wall

Number of Shower Heads: 1

Shower Head Diameter: 7-7/8"

Shower Head Material: ABS

Shower Head Spray: Rainfall

Shower Arm Included: Yes

Shower Arm Extension: 12-3/8"

Shower Arm Height: 5-3/8"

Shower Head IPS: 1/2"

Shower Head Swivel: Yes

Slide Bar Length: 28"

Hand Shower Length: 8-7/8"

Hand Shower Hose Length: 60"

Hand Shower Material: ABS

Hand Shower Flow Rate: 1.8 gpm (6.8 L/min) @ 80 psi

Diverter Included: Yes

Diverter Outlets: 3

Rainfall Shower Head Flow Rate: 1.8 gpm (6.8 L/min) @ 80 psi

REVISED 1/23/2024

LEXIA THERMOSTATIC SHOWER SYSTEM WITH 3 BODY SPRAYS, SLIDE BAR AND HAND SHOWER

SKU: 953783

Code: SHLE9009, SH6006, SHRSA122, SHRSB820RG, SHHS4030G, SHH1010, SHWE2040, SHLE9005, SH6103, SHLE9007, SH6040, SHSB3040, SHBS6010E, SH488922

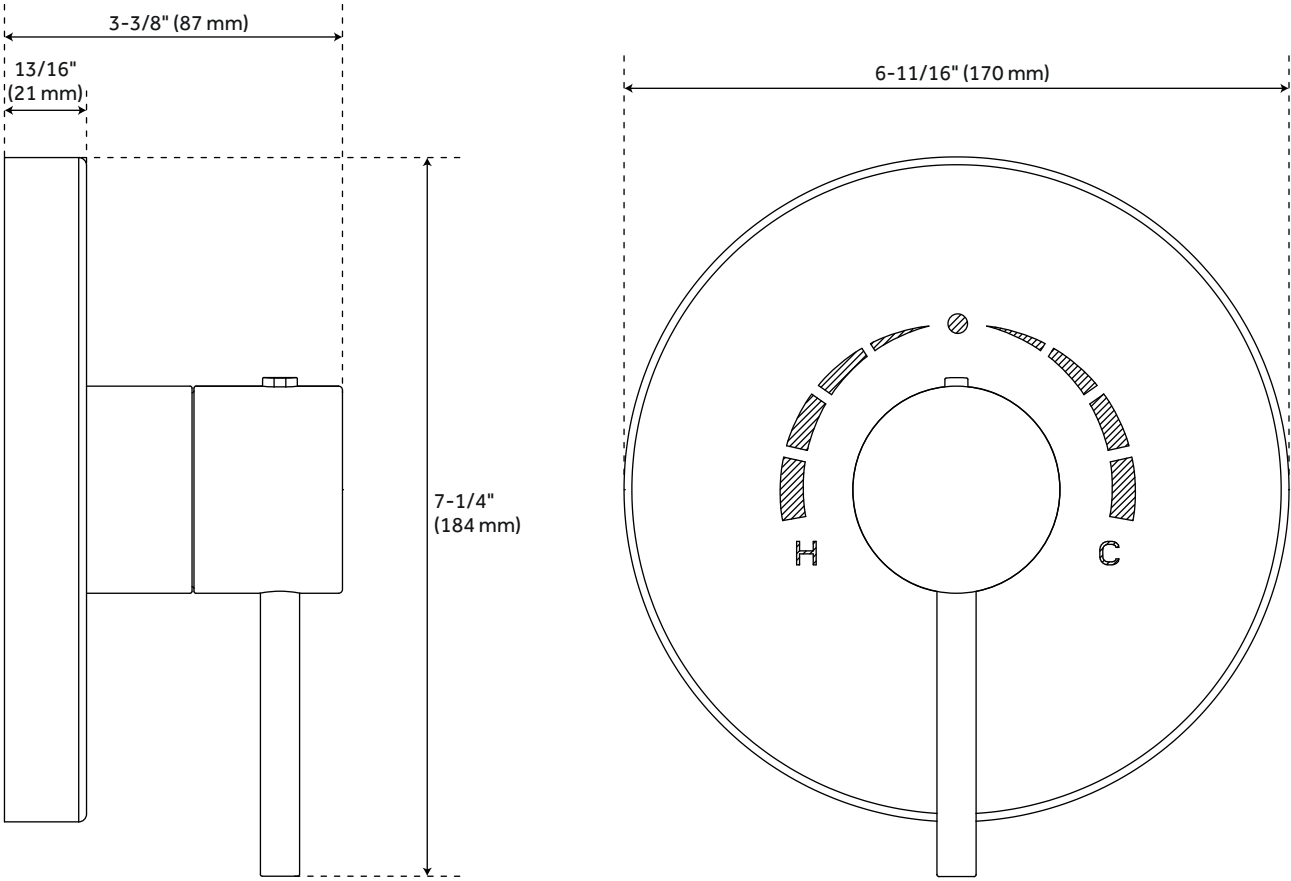


ADDITIONAL FEATURES

- Thermostatic technology keeps shower temperature within 1 degree Celsius.
- Temperature outlet factory calibrated to 104 degrees Fahrenheit and can be easily adjusted up or down to user's comfort level.
- Six total settings allow for shared water flow between outlets, giving you the ability to use two functions at once.
- Metal handles.
- Single function shower head (full spray) with easy-clean silicone nozzles.
- Single function hand shower.
- 60" - 72" stretchable metal shower hose.
- Adjustable angle for hand shower mount.
- Body spray jet swivels with a 3-9/16" surface area.
- Body spray flow rate: 2.5 gpm (9.5L/min) max @ 80 psi.
- Must be installed in accordance with provided installation instructions.
- Recommended valve installation depth 1-5/8" to 2-3/8"
- Included Rough-in valves:
 - Thermostatic rough-in valve features scald guard protection, high temperature limit stop, integral water stops and check valve, a ceramic cartridge, and a bronze valve body.
 - Volume control rough-in valve features a ceramic disc cartridge and brass valve body.
 - Diverter valve features a ceramic disc cartridge and brass valve body. An available Single-Function Diverter valve Cartridge restricts water flow to one outlet at a time.

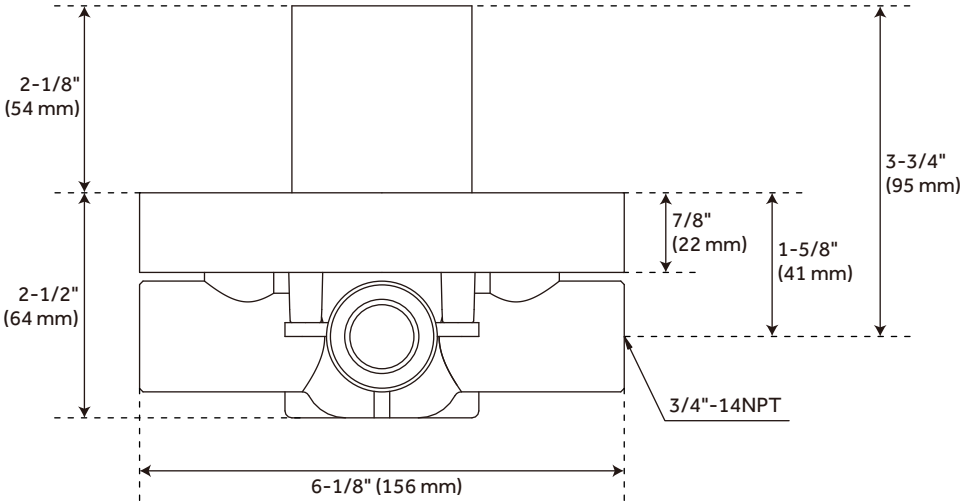
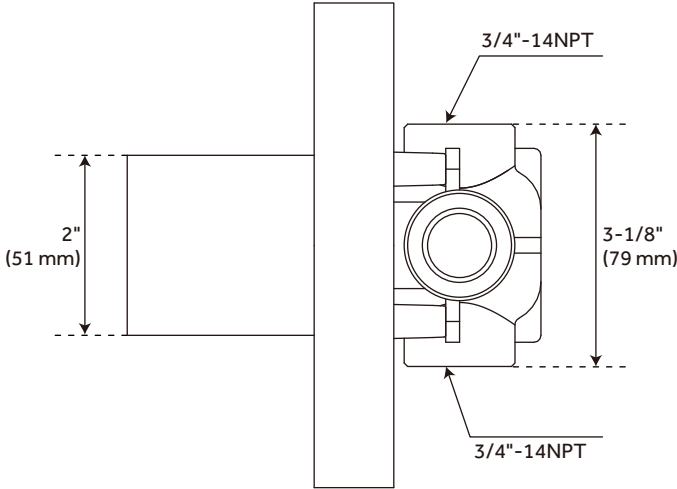
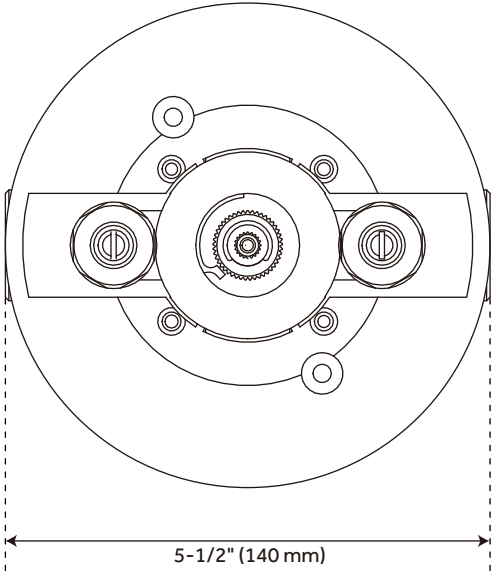
REVISED 1/23/2024

LEXIA THERMOSTATIC SHOWER VALVE TRIM



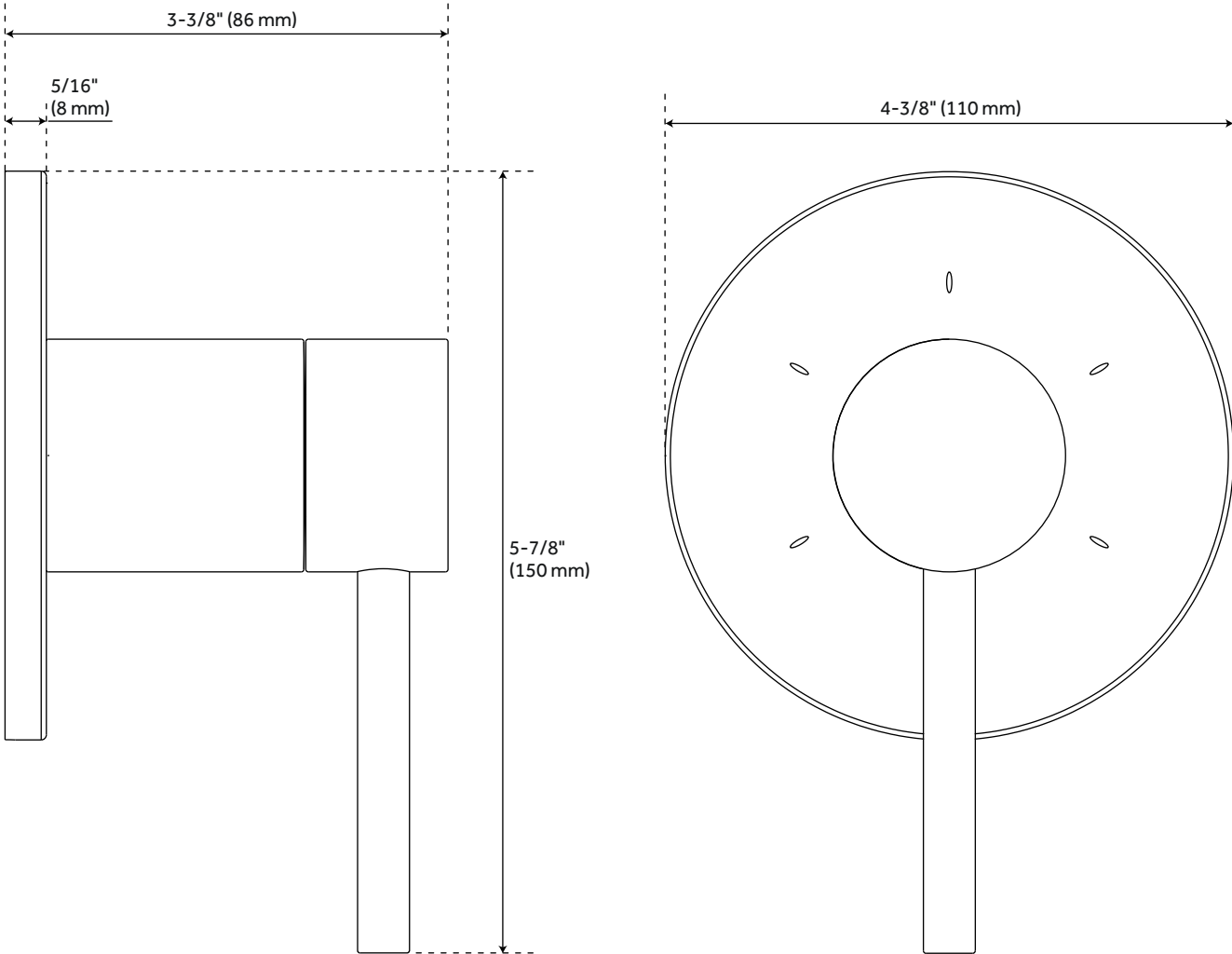
All dimensions and specifications are nominal and may vary. Use actual products for accuracy in critical situations.

LEXIA THERMOSTATIC SHOWER ROUGH-IN VALVE



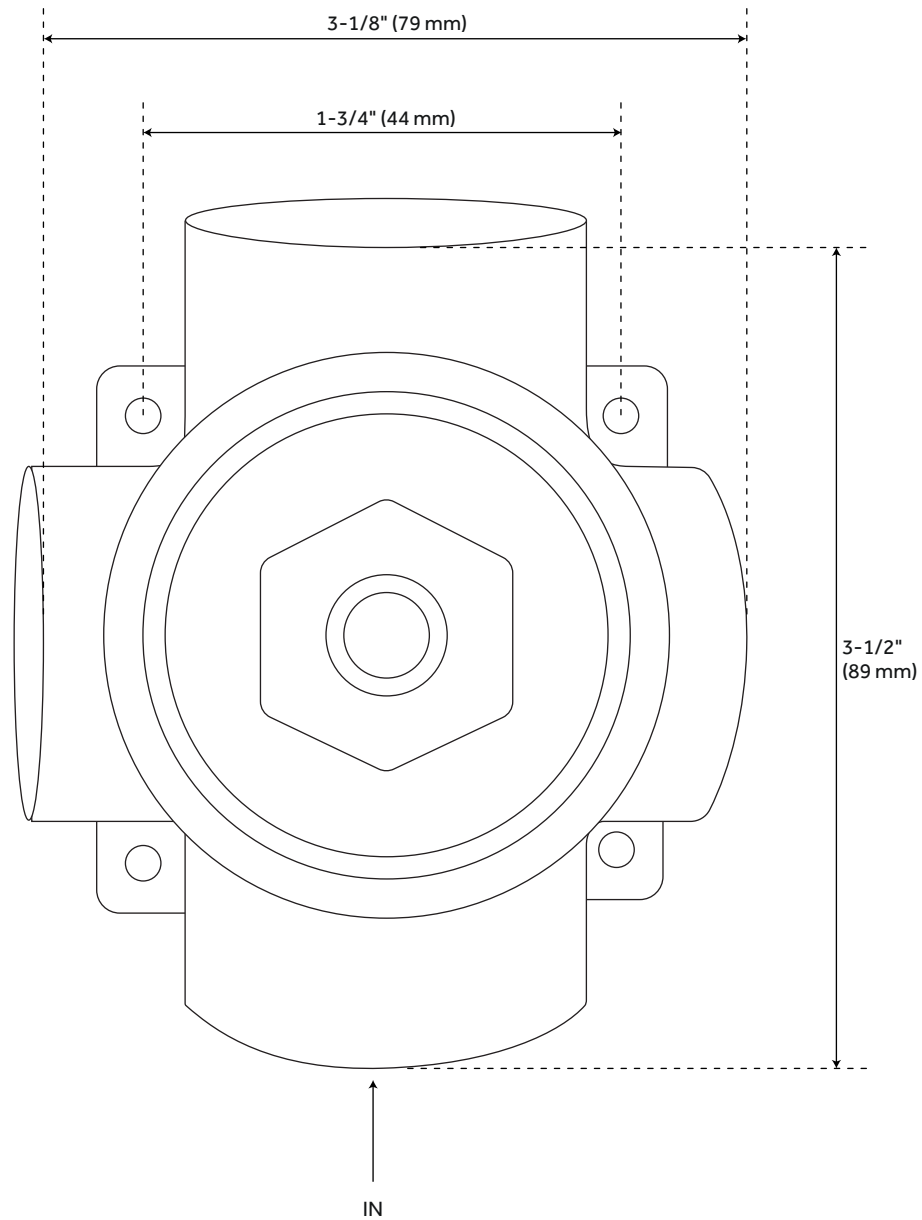
All dimensions and specifications are nominal and may vary. Use actual products for accuracy in critical situations.

LEXIA 3-WAY IN-WALL SHOWER DIVERTER



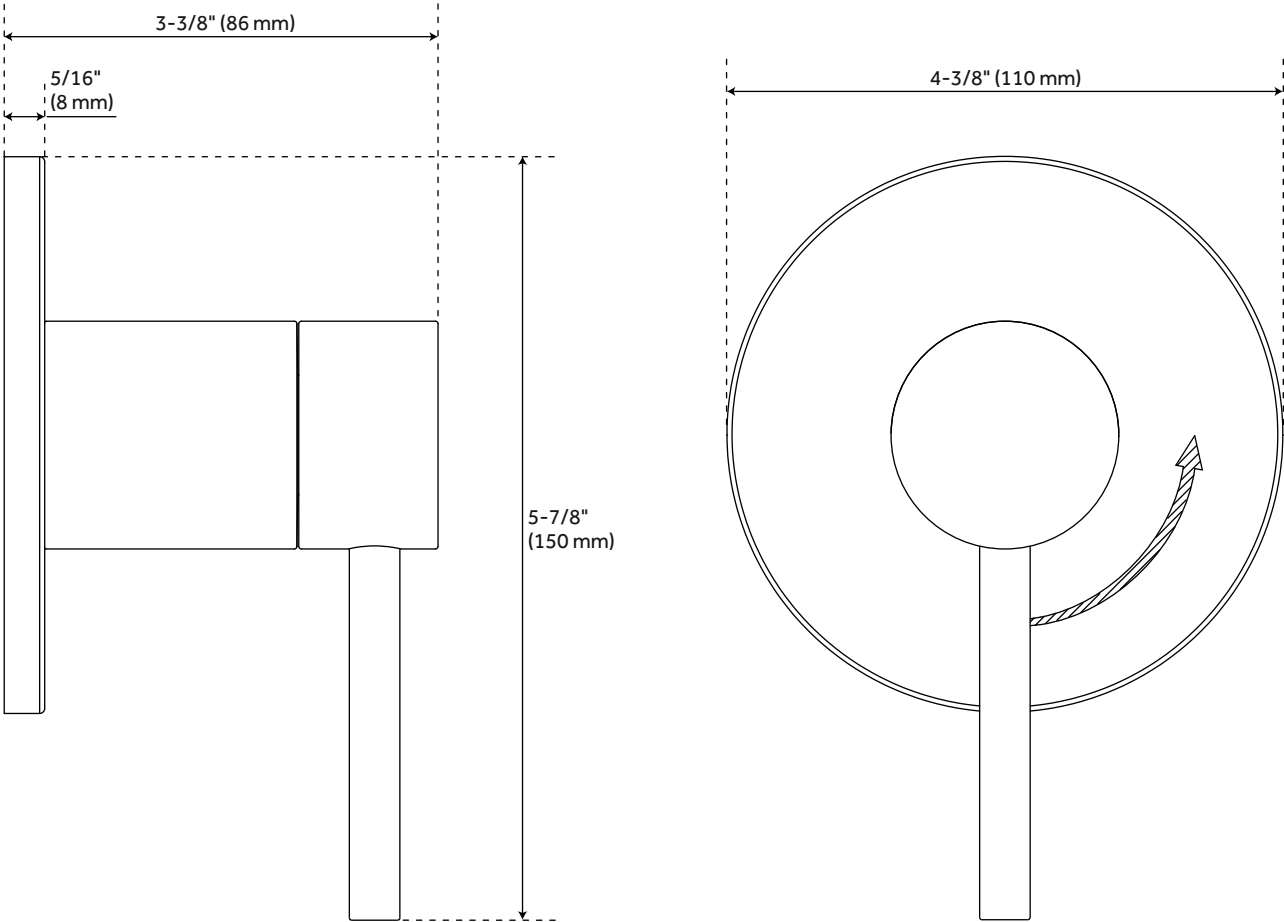
All dimensions and specifications are nominal and may vary. Use actual products for accuracy in critical situations.

LEXIA DIVERTER ROUGH-IN VALVE



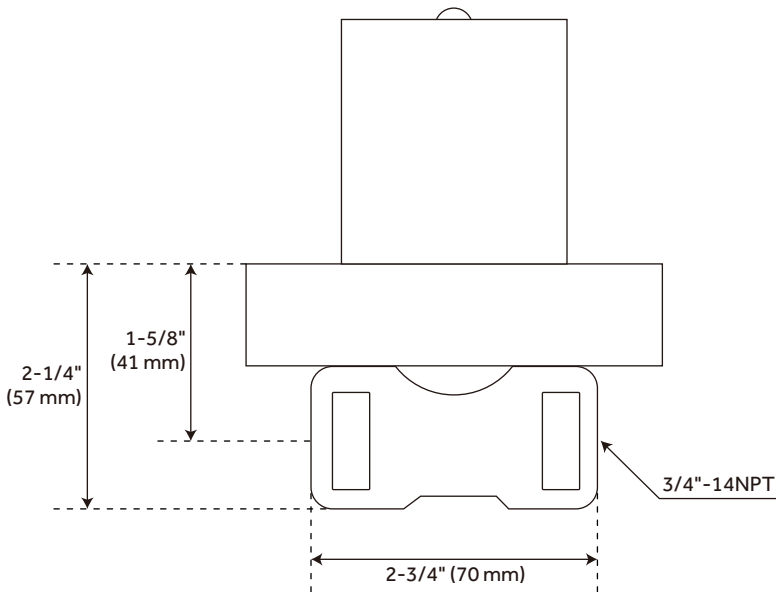
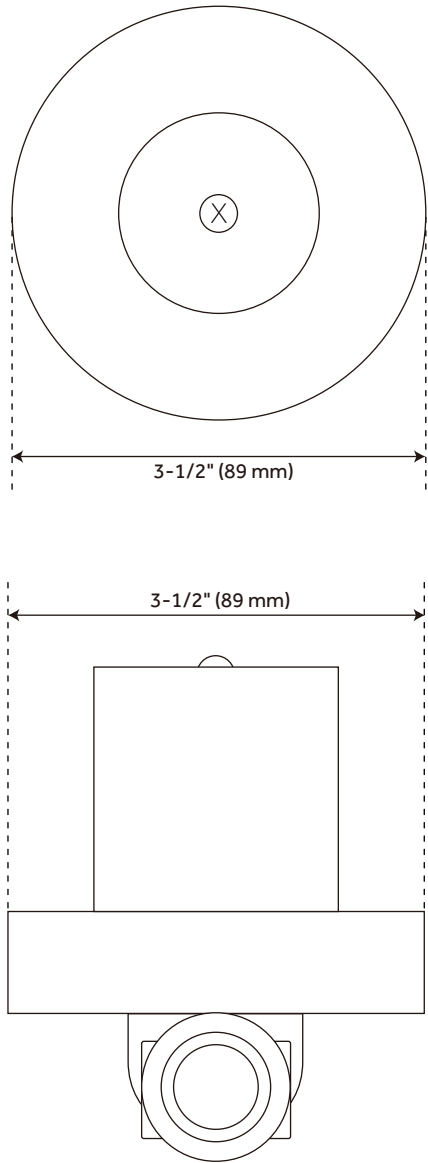
All dimensions and specifications are nominal and may vary. Use actual products for accuracy in critical situations.

LEXIA IN-WALL SHOWER VOLUME CONTROL TRIM



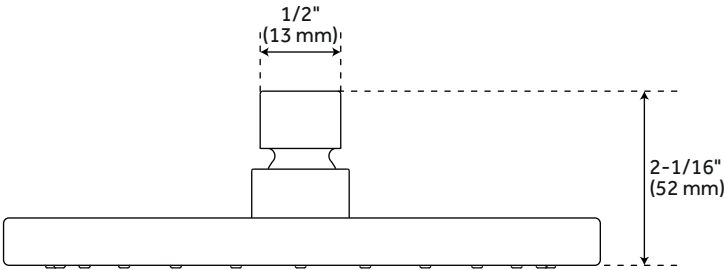
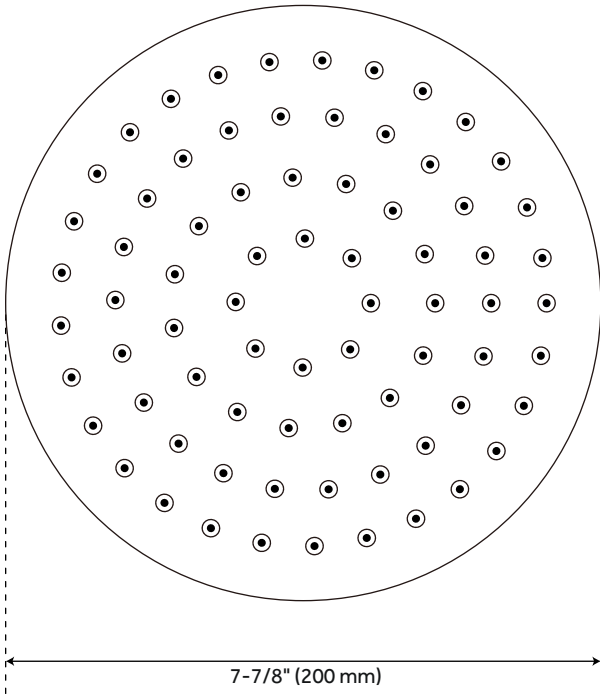
All dimensions and specifications are nominal and may vary. Use actual products for accuracy in critical situations.

LEXIA VOLUME CONTROL ROUGH-IN VALVE



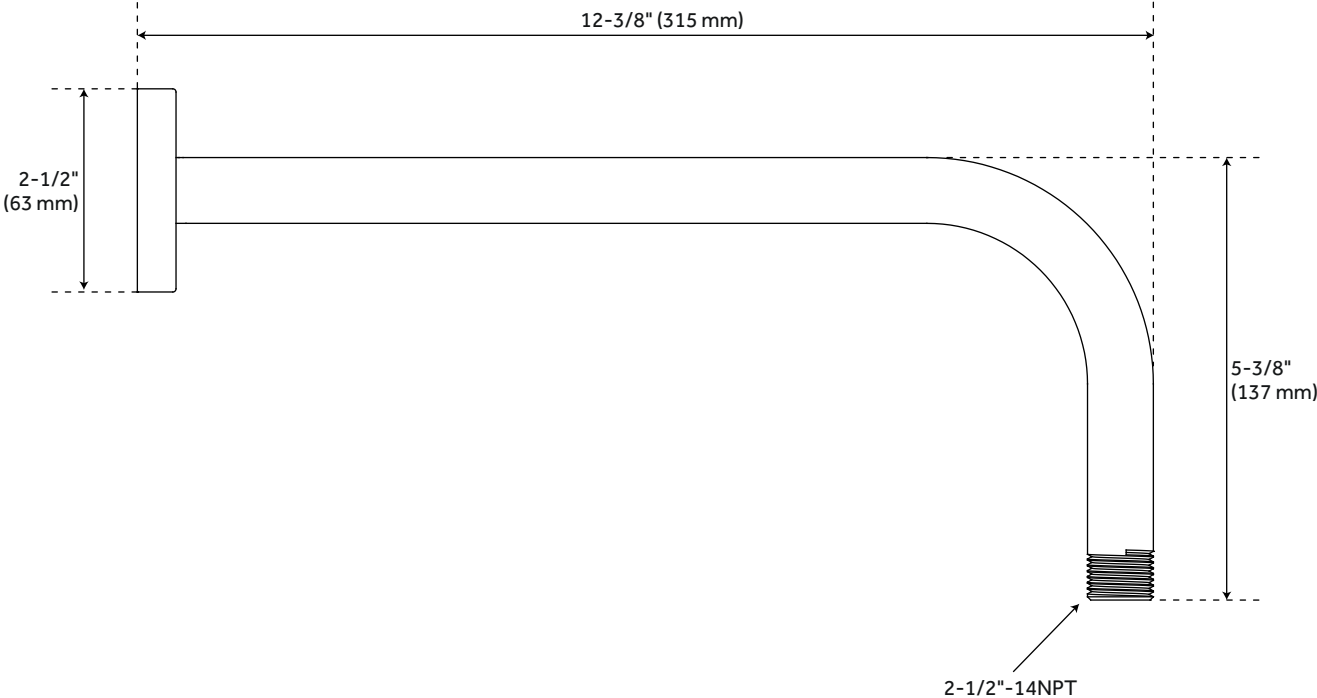
All dimensions and specifications are nominal and may vary. Use actual products for accuracy in critical situations.

LEXIA WALL-MOUNT SHOWER HEAD



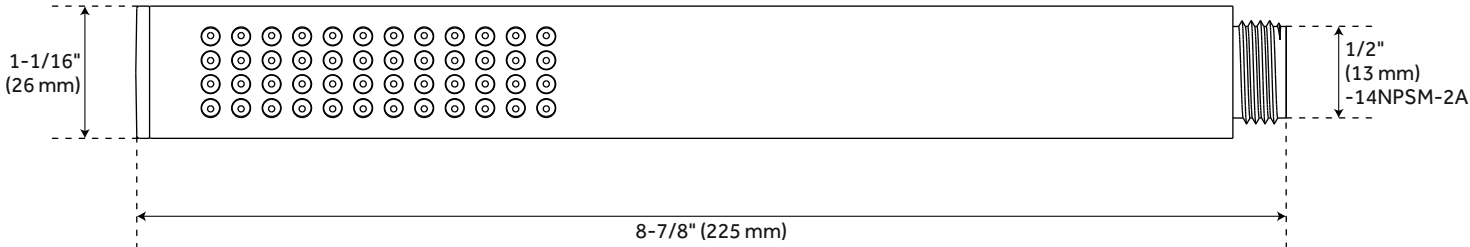
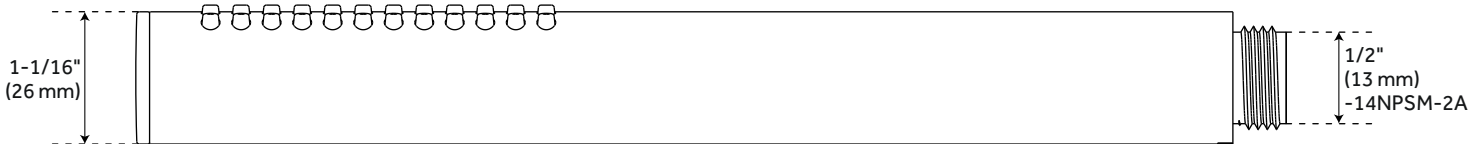
All dimensions and specifications are nominal and may vary. Use actual products for accuracy in critical situations.

LEXIA WALL-MOUNT SHOWER ARM



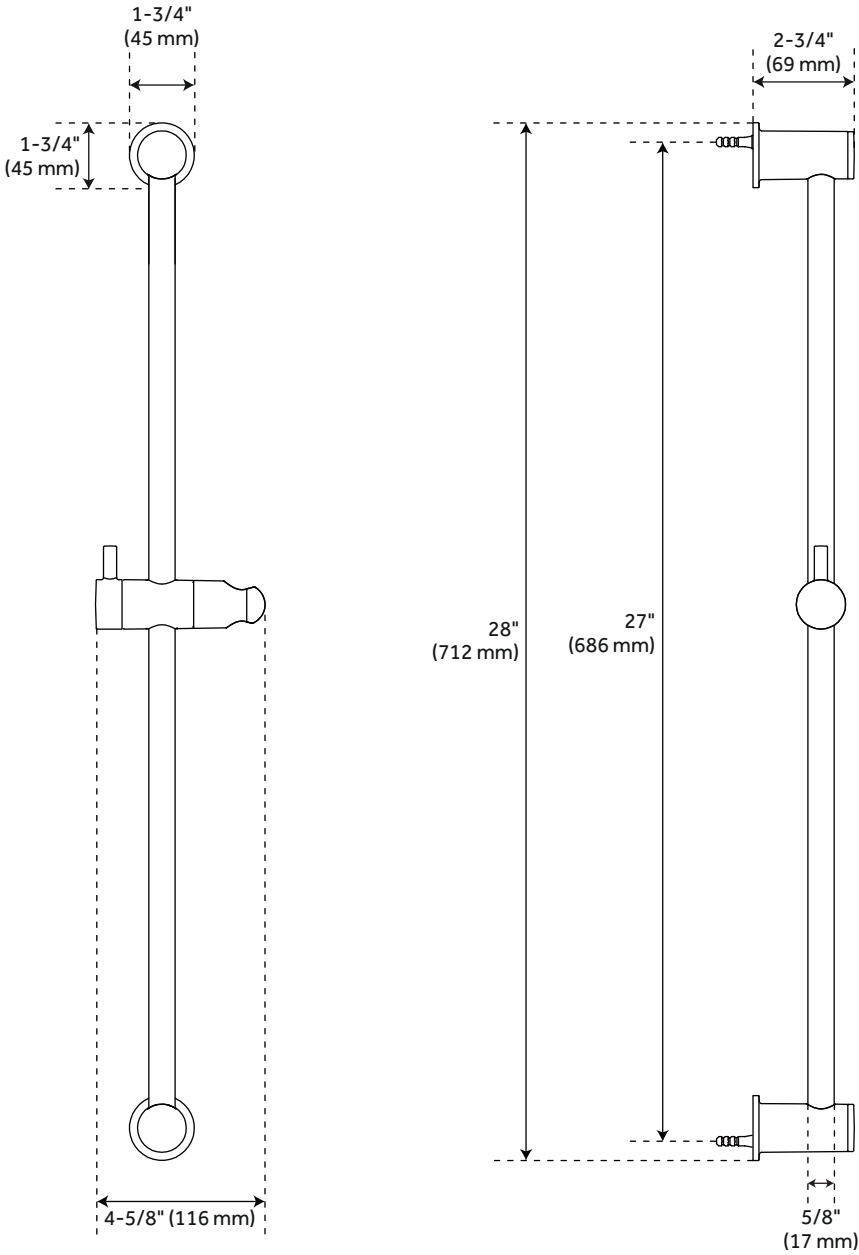
All dimensions and specifications are nominal and may vary. Use actual products for accuracy in critical situations.

LEXIA HAND SHOWER



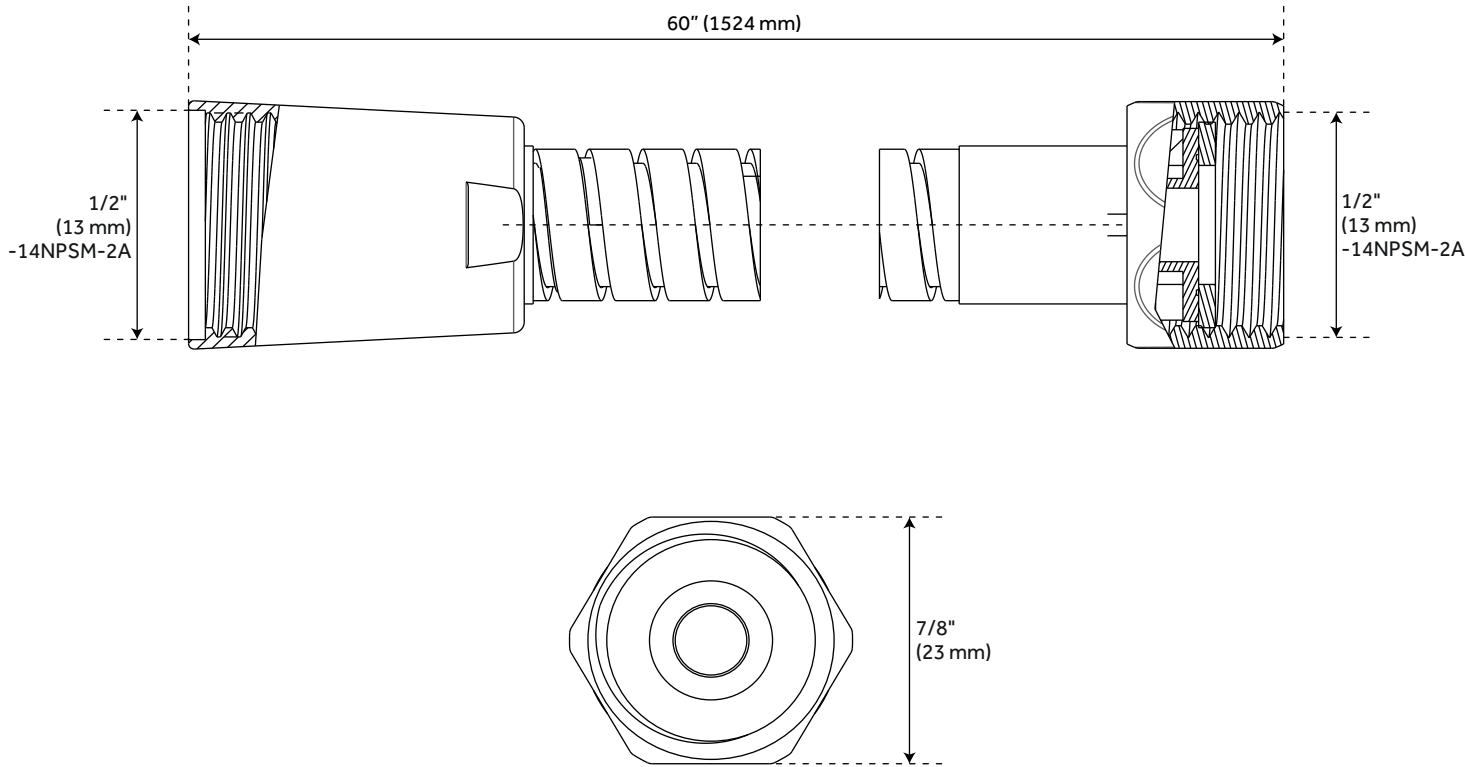
All dimensions and specifications are nominal and may vary. Use actual products for accuracy in critical situations.

LEXIA SLIDE BAR



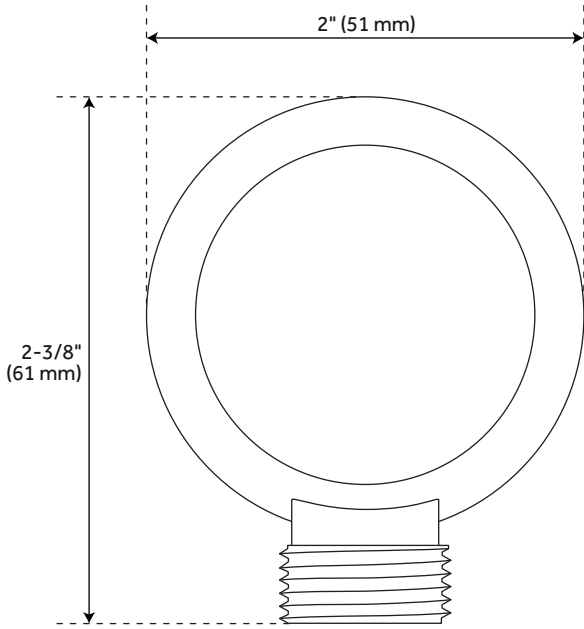
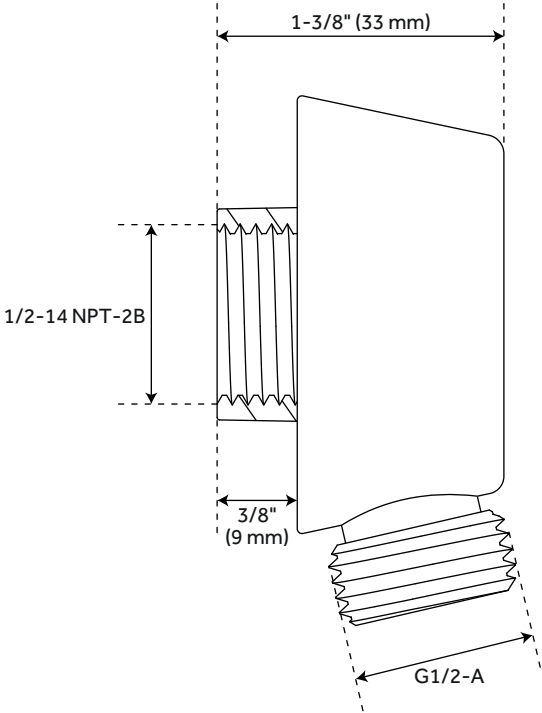
All dimensions and specifications are nominal and may vary. Use actual products for accuracy in critical situations.

LEXIA HAND SHOWER HOSE



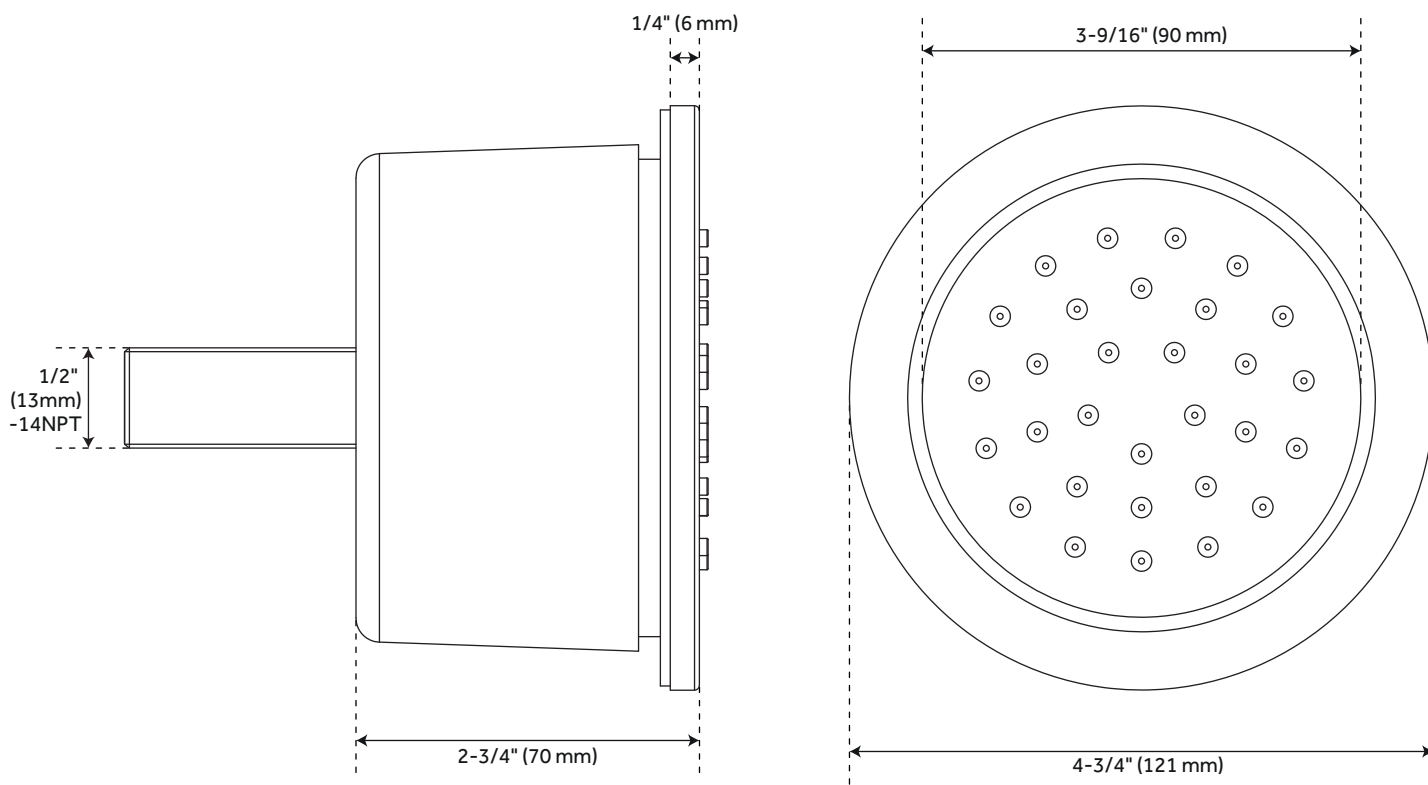
All dimensions and specifications are nominal and may vary. Use actual products for accuracy in critical situations.

LEXIA ROUND WATER SUPPLY ELBOW



All dimensions and specifications are nominal and may vary. Use actual products for accuracy in critical situations.

LEXIA BODY SPRAY



All dimensions and specifications are nominal and may vary. Use actual products for accuracy in critical situations.