

LEXIA IN-WALL SHOWER DIVERTER

SKU: 953774

Code: SHLE9005, SH6101, SH6103, SH488888, SH488930, SH488931



FEATURES

- Material: Metal
- Assembly Required: No
- Handle Type: Lever
- Shower Arm Included: No
- Valve Trim Diameter: 4-3/8"
- Diverter Outlets: 3

ASME A112.18.1/CSA B125.1



REVISED 1/23/2024

LEXIA IN-WALL SHOWER DIVERTER

SKU: 953774

Code: SHLE9005, SH6101, SH6103, SH488888, SH488930, SH488931

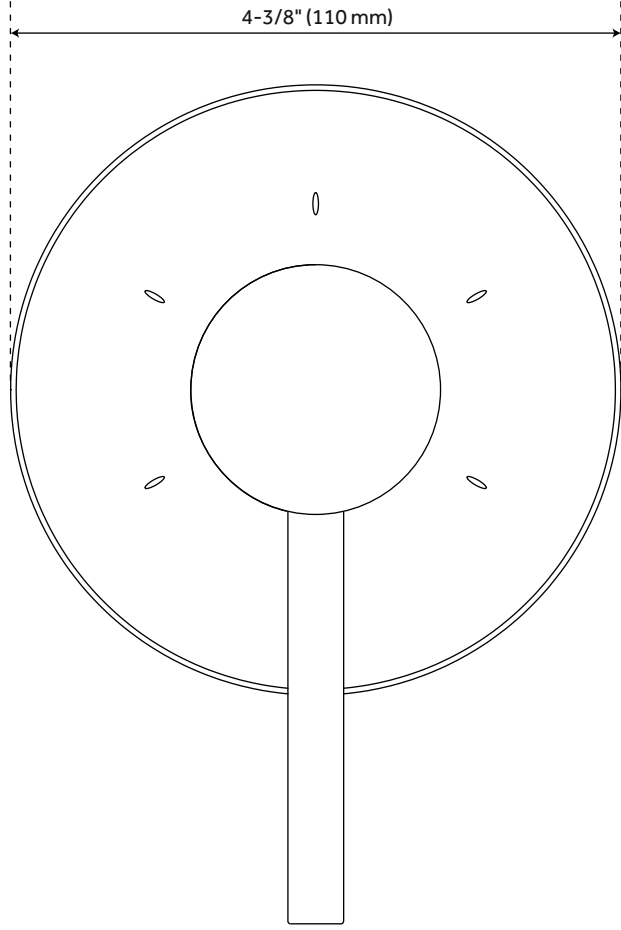
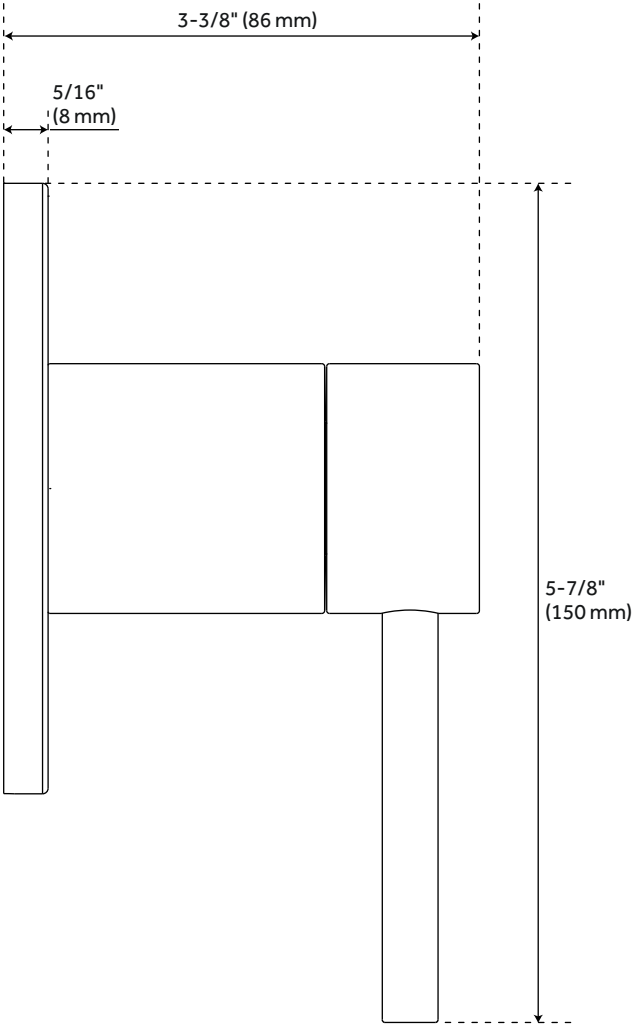


ADDITIONAL FEATURES

- Lever metal handle.
- Optional, but required Rough-in valve.
- Six total settings allow for shared water flow between outlets giving you the ability to use two functions at once.
- Ceramic cartridge.
- Available Single-Function Diverter valve Cartridge restricts water flow to one outlet at a time.
- Not intended as a shut off valve.
- For installations only requiring 2 outlets, the 3rd outlet may be looped into one of the existing pipes.

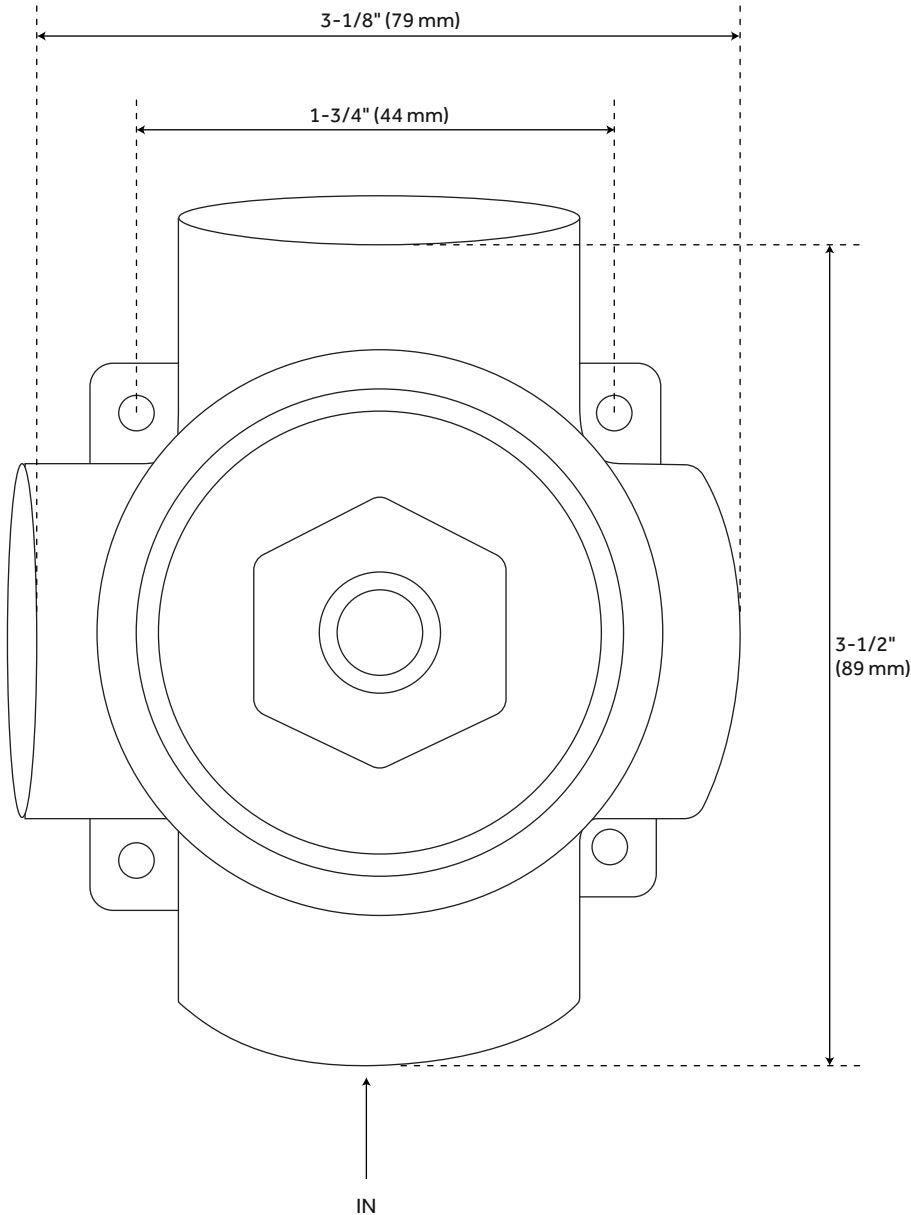
REVISED 1/23/2024

LEXIA 3-WAY IN-WALL SHOWER DIVERTER



All dimensions and specifications are nominal and may vary. Use actual products for accuracy in critical situations.

LEXIA OPTIONAL DIVERTER ROUGH-IN VALVE



All dimensions and specifications are nominal and may vary. Use actual products for accuracy in critical situations.