

BERWYN SINGLE-HOLE BATHROOM FAUCET

SKU: 953646

Code: SHWSCBW100, SHWSCBW107



ASME A112.18.1/CSA B125.1

NSF/ANSI 372

NSF/ANSI 61

NSF/ANSI/CAN 61

WaterSense by IAPMO

LISTED ID: SHWSCBW107XX



FEATURES

Installation Type: Deck Mount

Design: Modern

Material: Metal

Length: 2-1/4"

Width: 5-11/16"

Height: 5-13/16"

Base Plate Length: 2-1/4"

Assembly Required: No

Faucet Centers: Single-Hole

Overflow Hole: Yes

Fits Drain Hole Size: 1-1/2"

Drain Included: Yes

Faucet Material: Metal

Handle Type: Lever

Handle Length: 2-1/2"

Base Plate Width: 2-1/4"

Flow Rate: 1.2 gpm (4.5L/min) @ 60 psi

Max. Countertop Thickness: 3-5/16"

Height To Spout: 3-7/8"

Spout Reach: 4-1/16"

Swivel Spout: No

Handle Height: 5-13/16"

Ceramic Disc Cartridges: Yes

Hot and Cold Indicators: No

Handle Material: Metal

Weight: 2 lbs

REVISED 1/11/2024

BERWYN SINGLE-HOLE BATHROOM FAUCET

SKU: 953646

Code: SHWSCBW100, SHWSCBW107

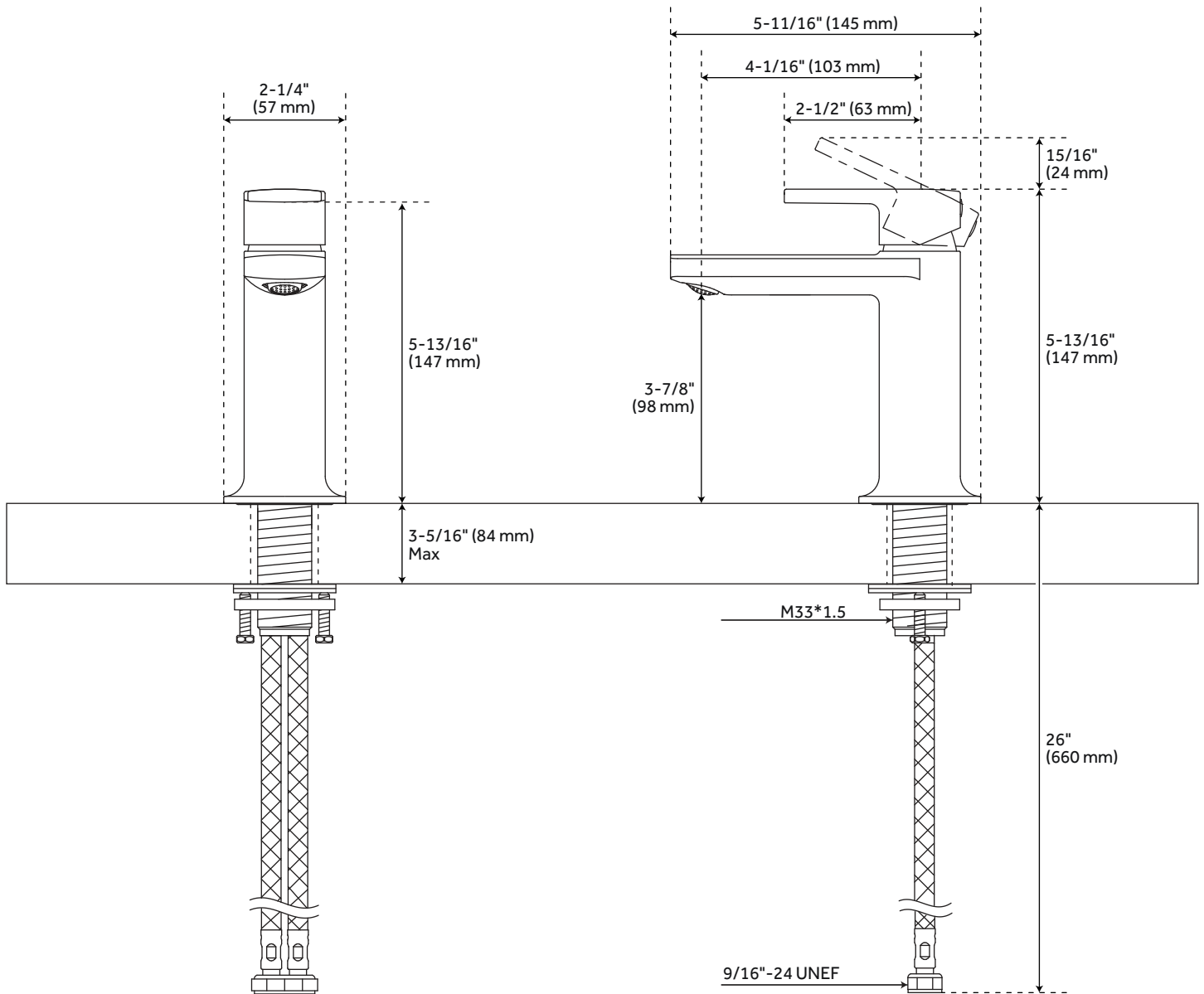


ADDITIONAL FEATURES

- Drain is only compatible with sinks that have an overflow.

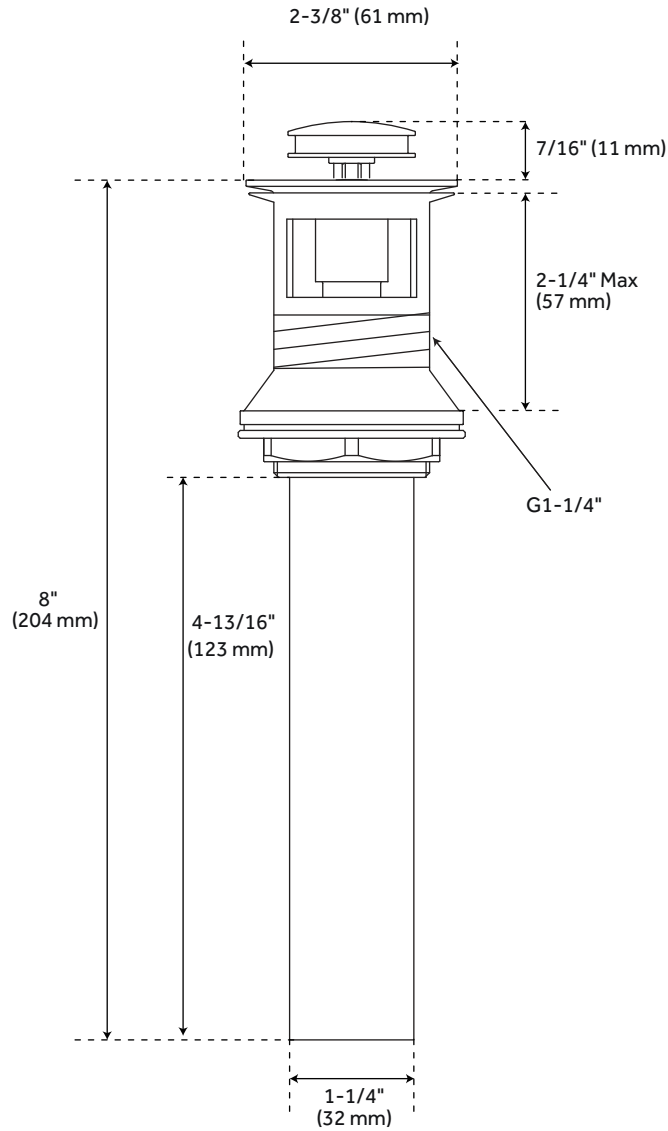
REVISED 1/11/2024

BERWYN SINGLE-HOLE BATHROOM FAUCET



All dimensions and specifications are nominal and may vary. Use actual products for accuracy in critical situations.

BERWYN DRAIN WITH OVERFLOW



All dimensions and specifications are nominal and may vary. Use actual products for accuracy in critical situations.