

69" NEWHAVEN ACRYLIC FREESTANDING SLIPPER TUB - TRIM

SKU: 946113

Code: SH480969, SH480970, SH480971, SH480972, SH480973, SH480974, SH480975



LISTED ID: SH112051WH



FEATURES

Installation Type: Freestanding
Features: Integral Drain & Overflow
Design: Modern
Product Finish: White
Material: Acrylic
Length: 68-7/8"
Width: 30-11/16"
Height: 27-9/16"
Water Depth To Overflow: 21"
Exterior Treatment: Smooth
Interior Treatment: Smooth
Drain Included: Optional
Faucet Included: No
Shape: Rectangle
Tub Overflow: Yes
Integral Drain & Overflow: Yes
Tub Material: Acrylic
Tub Interior Length: 46-7/16"
Tub Interior Width: 20-7/8"
Tap Deck: No
Faucet Drillings: No Drillings
Water Capacity (Gallons): 89
Built-In Adjusters: Yes
Tub Weight Uncrated (lbs): 130
Tub Weight Crated (lbs): 267

REVISED 2/27/2024

69" NEWHAVEN ACRYLIC FREESTANDING SLIPPER TUB - TRIM

SKU: 946113

Code: SH480969, SH480970, SH480971, SH480972, SH480973, SH480974, SH480975

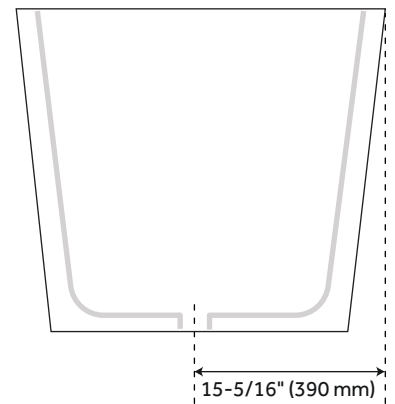
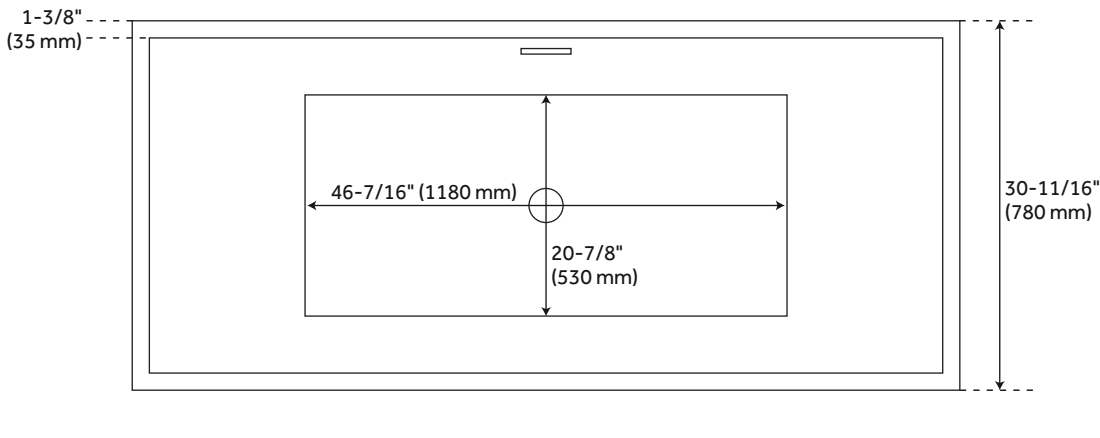
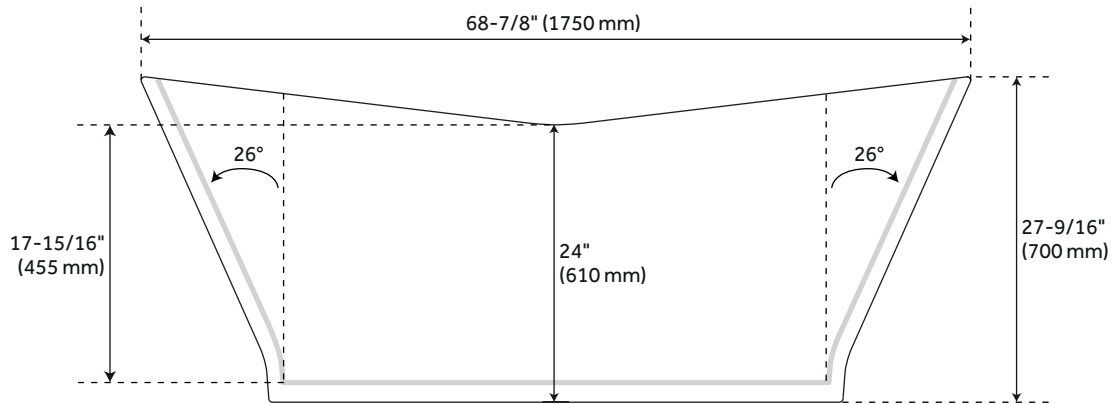


ADDITIONAL FEATURES

- All dimensions are ($\pm 1/2$ ").
- Trim kit includes: Pop-Up Drain with matching drain cover and overflow plate in your choice of color.
- Formed of two acrylic sheets, the air between acting as thermal insulator.

REVISED 2/27/2024

69" NEWHAVEN FREESTANDING ACRYLIC TUB



All dimensions and specifications are nominal and may vary. Use actual products for accuracy in critical situations.