

# 33" BRUMFIELD FIRECLAY FARMHOUSE SINK - WHITE

SKU: 941321-33

CODE:SHFBR1B3319A,SHG3115



## CODES/STANDARDS

ASME A112.19.2/CSA B45.1

Massachusetts Accepted



## FEATURES

Length: 33-5/16"

Width: 18-5/8"

Height: 10-1/8"

Sink Shape: Rectangle

Number of Basins: 1

Sink Installation: Farmhouse

Product Color: White

Faucet Centers: No Faucet Hole

Basin Length: 31-5/8"

Basin Width: 17-3/16"

Basin Depth: 8-15/16"

Fits Drain Hole Size: 3-9/16"

Exterior Treatment: Smooth

Interior Treatment: Smooth

Drain Included: Optional

Faucet Included: No

Sink Material: Fireclay

Basin Configuration: Single

Apron Design: Smooth

Water Depth to Rim: 9-1/8"

Apron Front Rim Thickness: 7/16"

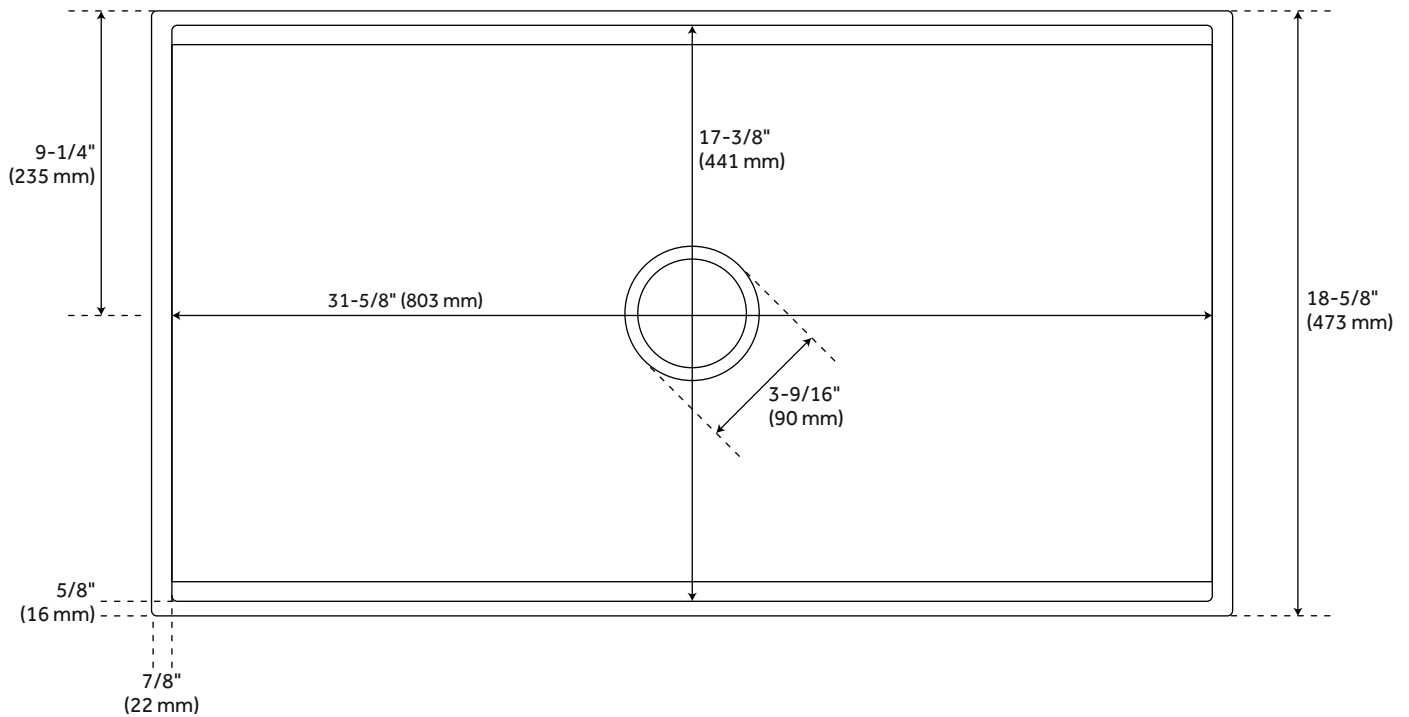
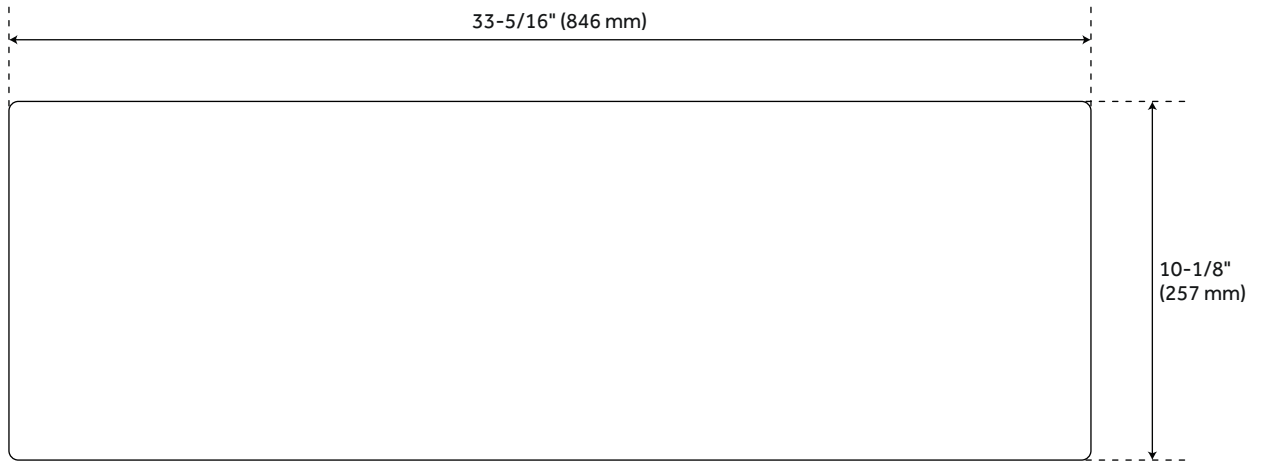
Code:

REVISED 4/13/2022

# 33" BRUMFIELD FIRECLAY FARMHOUSE SINK - WHITE

SKU: 941321-33

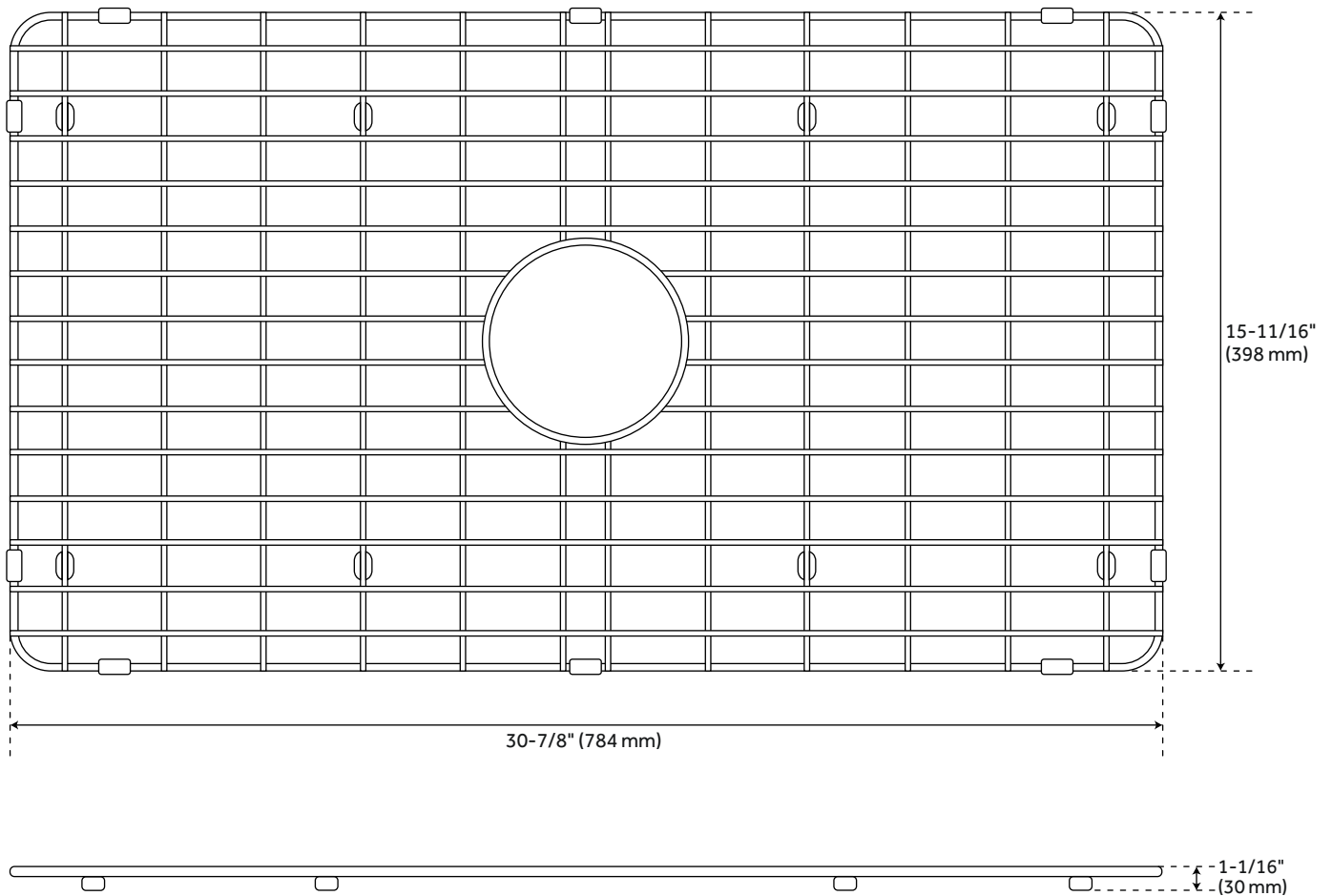
SHFBR1B3319A,SHG3115



All dimensions and specifications are nominal and may vary. Use actual products for accuracy in critical situations.

# OPTIONAL GRID FOR 33" BRUMFIELD FIRECLAY FARMHOUSE SINK

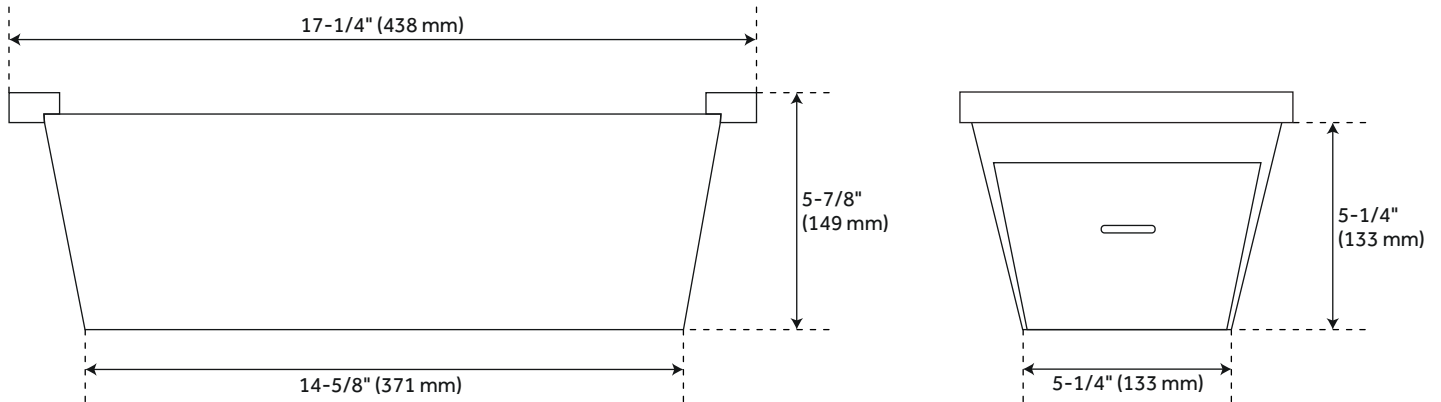
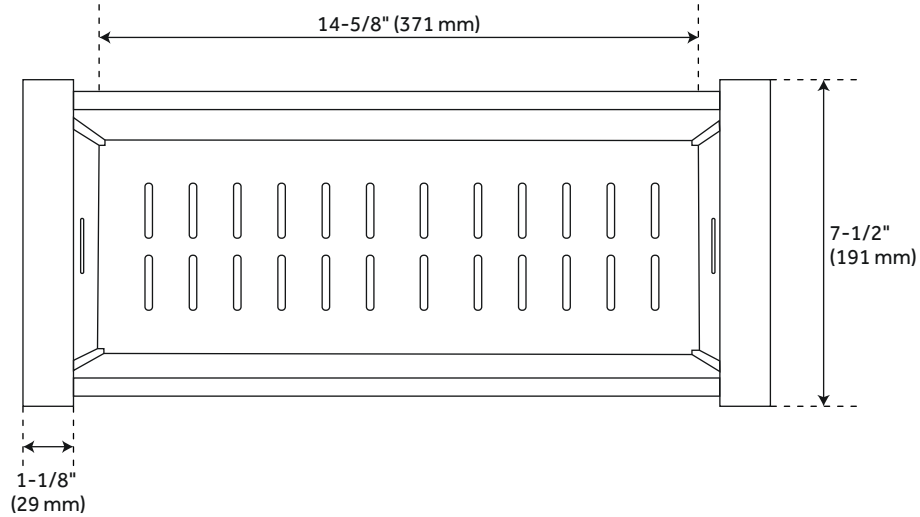
SKU: 941321-33  
SHG3115



All dimensions and specifications are nominal and may vary. Use actual products for accuracy in critical situations.

# OPTIONAL METAL COLANDER FOR BRUMFIELD FIRECLAY FARMHOUSE SINK

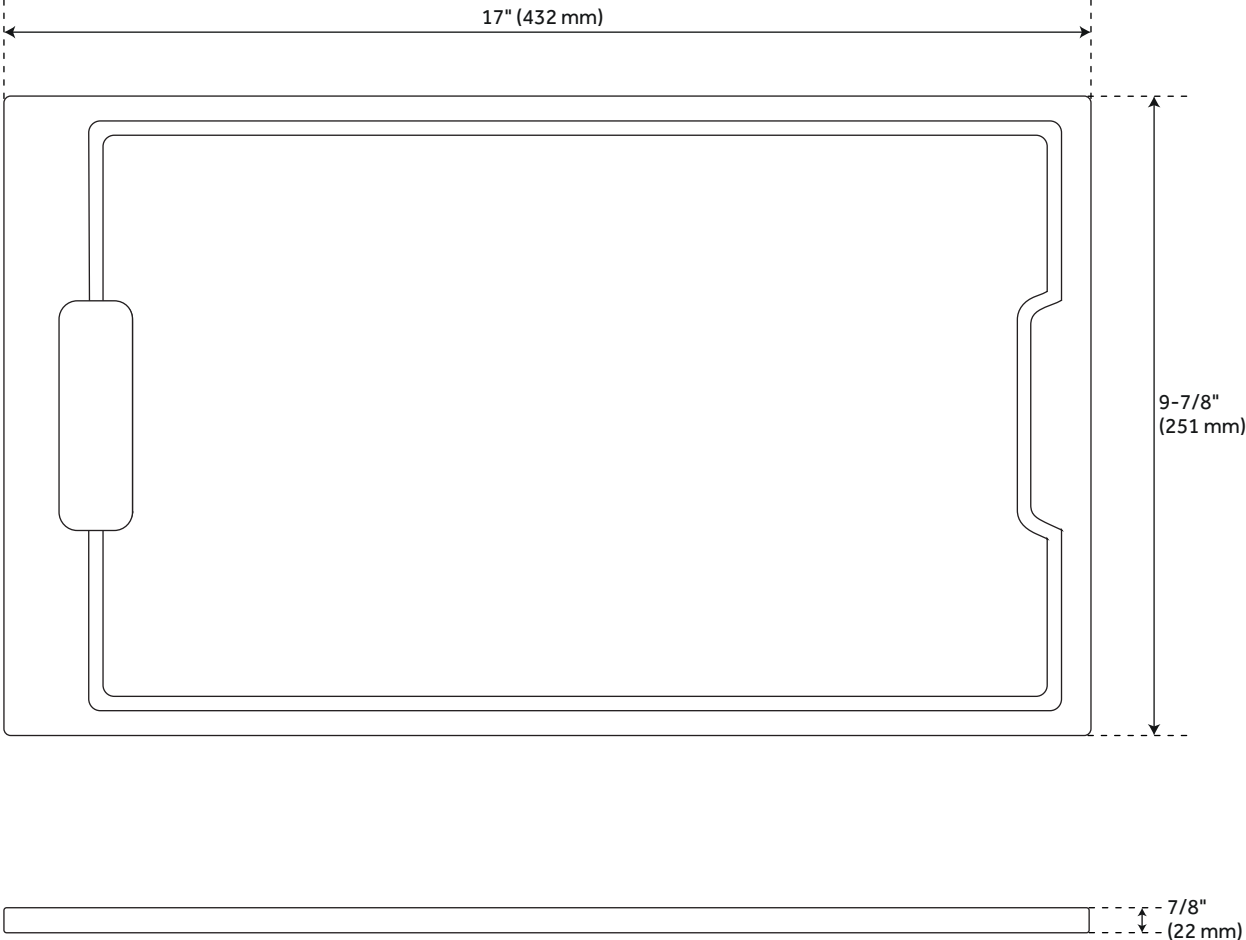
SKU: 941321-33



All dimensions and specifications are nominal and may vary. Use actual products for accuracy in critical situations.

# OPTIONAL WOOD CUTTING BOARD FOR BRUMFIELD FIRECLAY FARMHOUSE SINK

SKU: 941321-33



All dimensions and specifications are nominal and may vary. Use actual products for accuracy in critical situations.