

BRADENTON

TWO-PIECE SKIRTED ELONGATED TOILET - ADA COMPLIANT - WHITE

SKU: 948428



FEATURES

- Product Finish: White
- Material: Porcelain
- Bowl Shape: Elongated
- Hardware Finish: Chrome
- Seat Included: Yes
- Skirted Bowl with Concealed Trapway
- Toilet with a Standard Seat Meets ADA Requirements when Installed According to ADA Guidelines
- High Efficiency Toilet Uses 20% Less Water than Standard Toilets
- Optional Bidet Seat Details:
 - Bidet Seat Adds 1" to Bowl Height
 - Side Knob Allows for Adjustment of Angle, Water Volume, and Cleaning Type
 - Spray Nozzle Features Multiple Holes for a Softer Cleanse and Water Saving Operation
 - Spray Nozzle is Self-Cleaning, Antibacterial, and Removable for Further Cleaning
 - Bidet Seat has a Glossy Finish with Protective Bumpers and Self-Closing Seat/Lid
 - Includes Polished Chrome Metal Flush Lever

CONTENTS

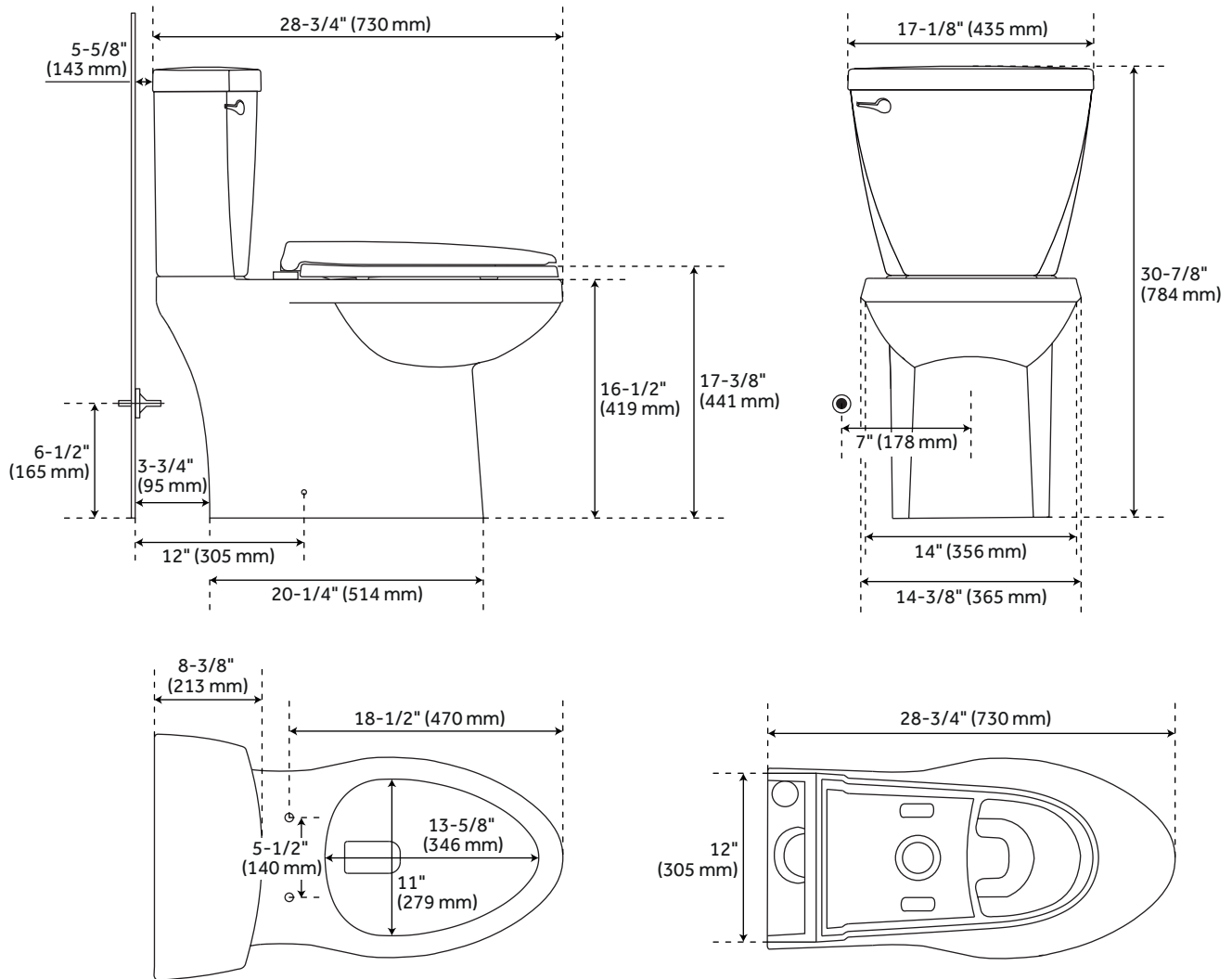
TOILET PAGE 2

REVISED 04/08/2021

BRADENTON

TWO-PIECE SKIRTED ELONGATED TOILET - ADA COMPLIANT - WHITE

SKU: 948428



FEATURES

Rough In: 12"
 Length: 17-1/8"
 Width: 28-3/4"
 Height: 30-7/8"
 Bowl Height: 16-1/2"
 Gallons Per Flush: 1.28 (4.8 Lpf)

CODES/STANDARDS

cUPC
 ASME A112.19.2/CSA B45.1
 ICC/ANSI A117.1 (when installed
 according to ADA standards)
 CEC Listed
 WaterSense
 Massachusetts Accepted

PRODUCT IMAGE



All dimensions and specifications are nominal and may vary. Use actual products for accuracy in critical situations.

PAGE 2
 Code: SHBD240S, SHBD200

HEAVY DUTY SLOW-CLOSING ELONGATED TOILET SEAT - BLACK

SKU: 481269
SHTSHEC2000



FEATURES

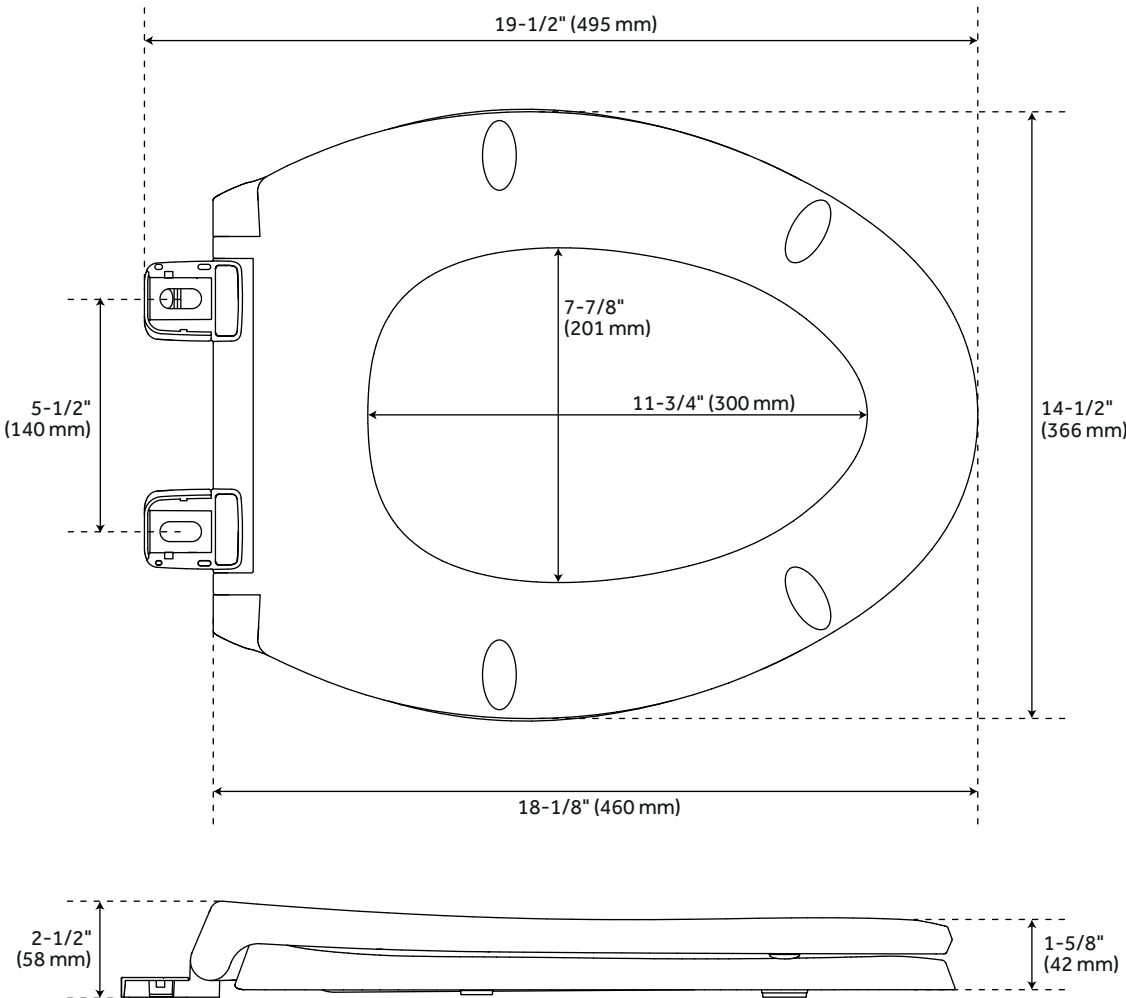
Features: soft-close hinges
Product Finish: Black
Material: Plastic
Length: 18-1/8"
Width: 14-1/2"
Height: 2-1/2"

CODES/STANDARDS

Code:
REVISED 4/4/2022

HEAVY DUTY SLOW-CLOSING ELONGATED TOILET SEAT - BLACK

SKU: 481269
SHTSHEC2000



All dimensions and specifications are nominal and may vary. Use actual products for accuracy in critical situations.