

33" MELBROOK STAINLESS STEEL WORKSTATION DROP-IN KITCHEN SINK

SKU: 953601-33



FEATURES

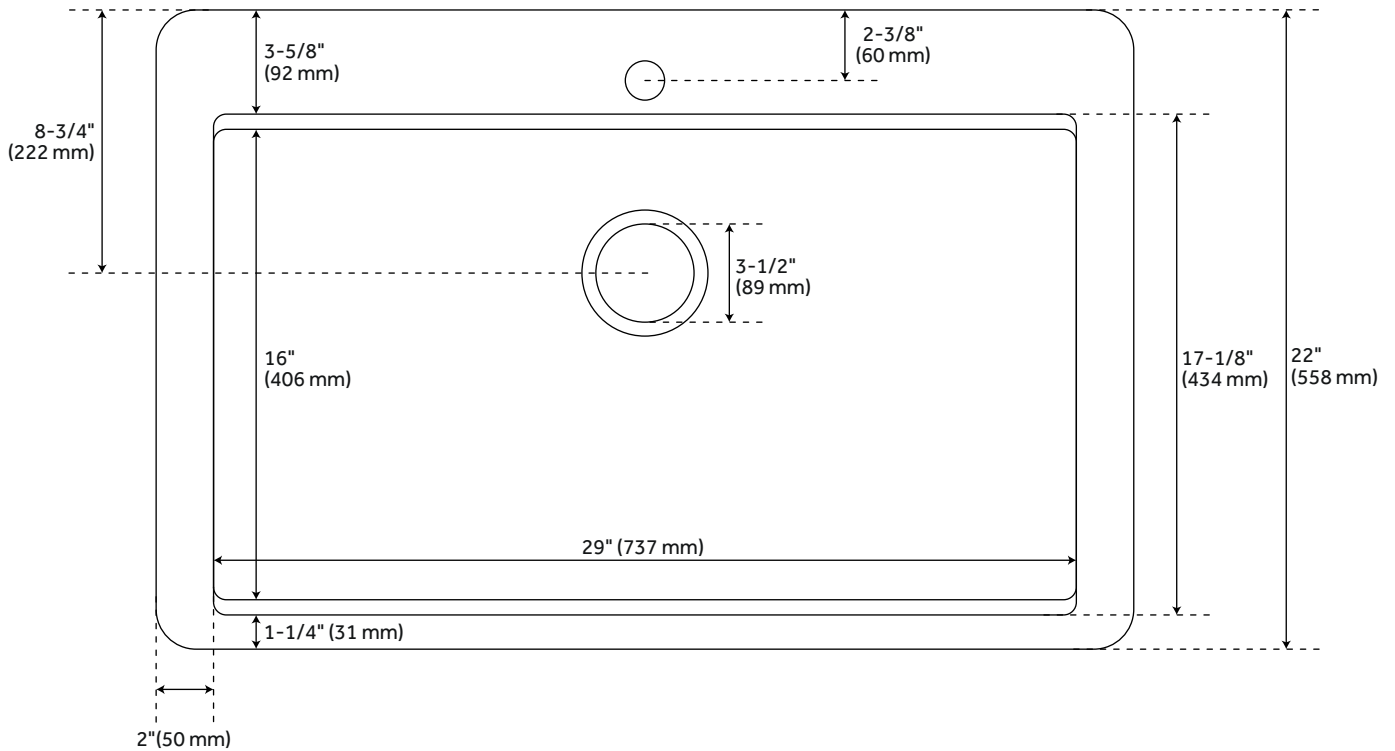
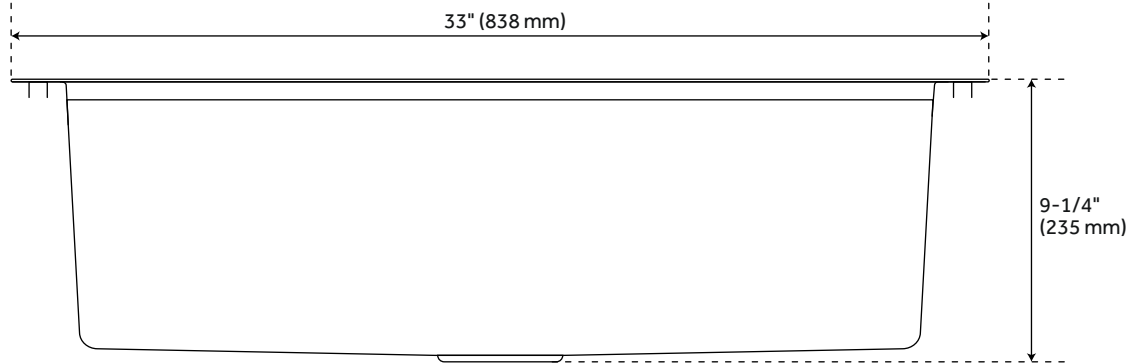
Length: 33"
Width: 22"
Height: 9-1/4"
Sink Shape: Rectangle
Number of Basins: 1
Sink Installation: Drop-In
Overflow Hole: No
Item Weight (lbs.): 29
Basin Length: 29"
Basin Width: 16"
Basin Depth: 9"
Fits Drain Hole Size: 3-1/2"
Drain Included: No
Faucet Included: No
Sink Material: Stainless Steel
Water Depth to Rim: 9"

CODES/STANDARDS

Code:
REVISED 4/7/2022

33" MELBROOK WORKSTATION DROP-IN KITCHEN SINK - ONE FAUCET HOLE

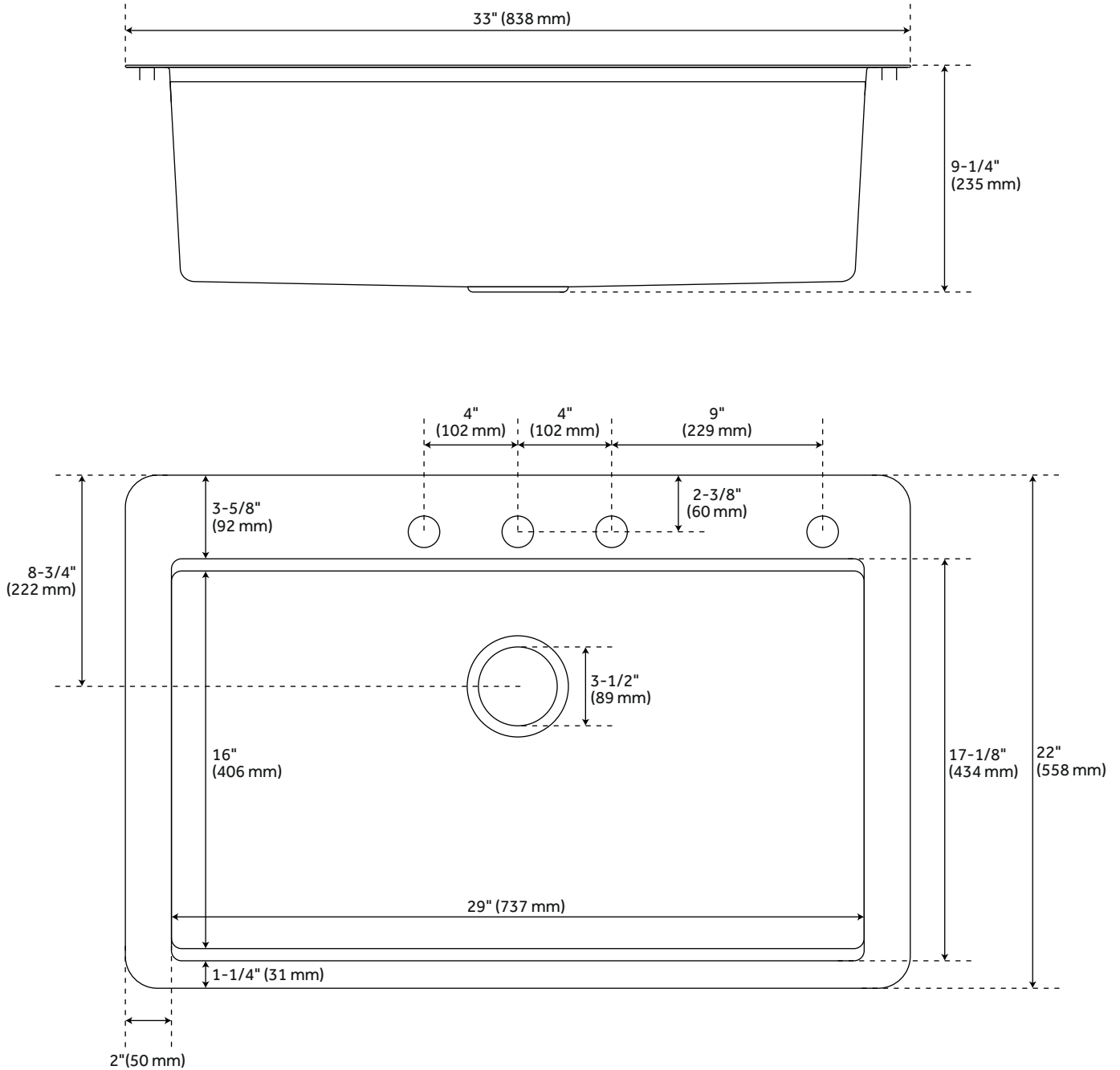
SKU: 953601-33



All dimensions and specifications are nominal and may vary. Use actual products for accuracy in critical situations.

33" MELBROOK WORKSTATION DROP-IN KITCHEN SINK - FOUR FAUCET HOLES

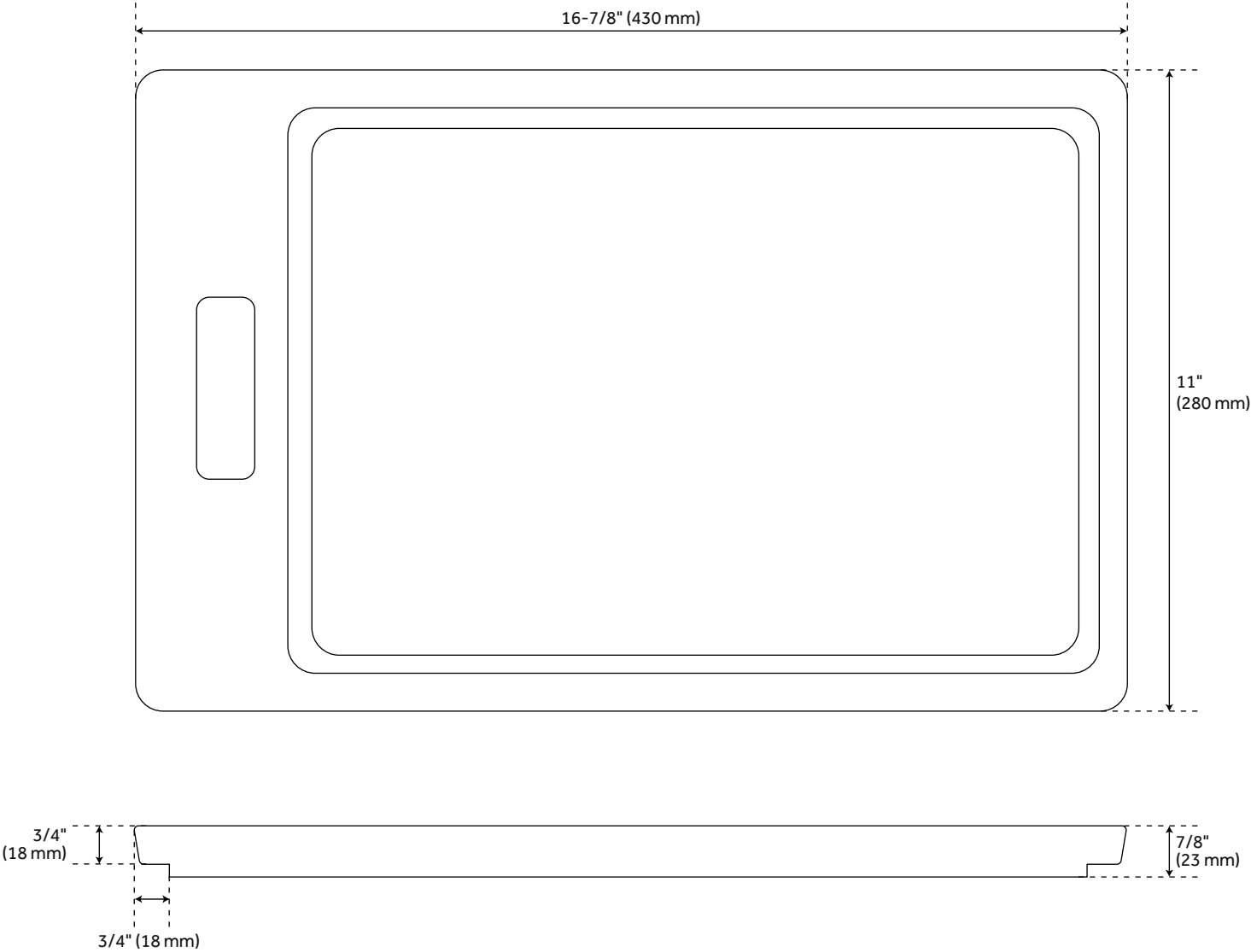
SKU: 953601-33



All dimensions and specifications are nominal and may vary. Use actual products for accuracy in critical situations.

33" MELBROOK WORKSTATION DROP-IN KITCHEN SINK - CUTTING BOARD

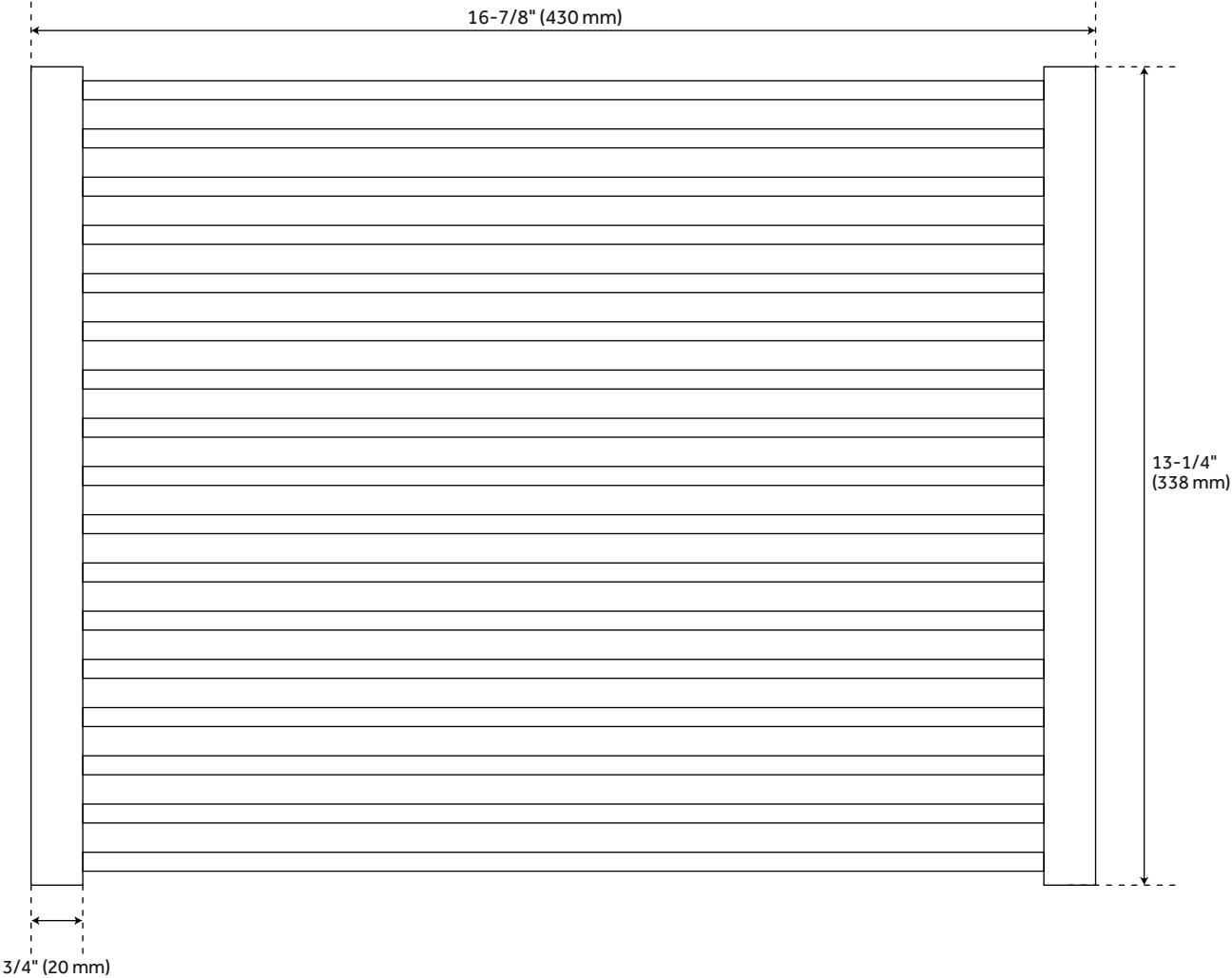
SKU: 953601-33



All dimensions and specifications are nominal and may vary. Use actual products for accuracy in critical situations.

33" MELBROOK WORKSTATION DROP-IN KITCHEN SINK - ROLLING MAT

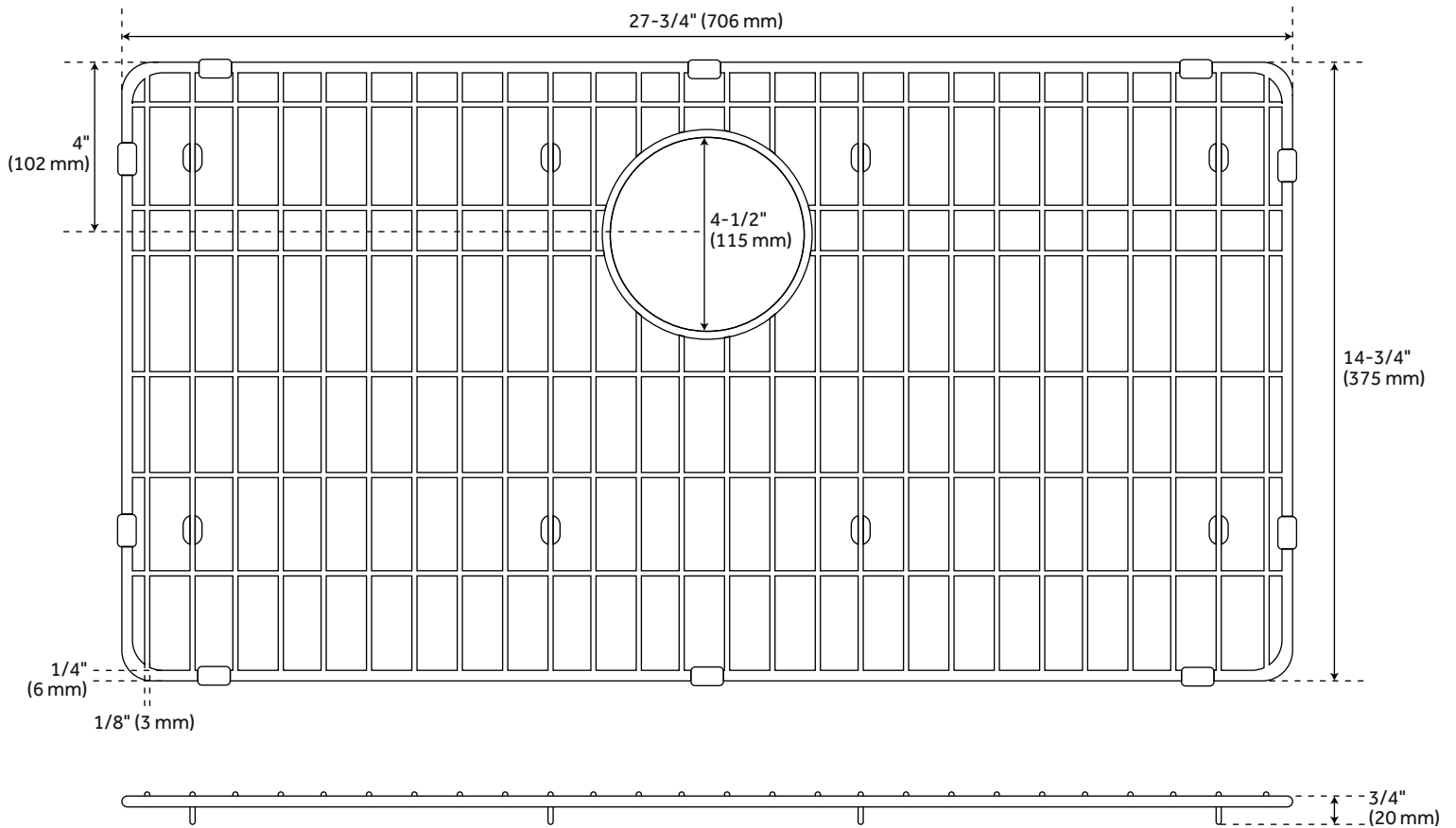
SKU: 953601-33



All dimensions and specifications are nominal and may vary. Use actual products for accuracy in critical situations.

33" MELBROOK WORKSTATION DROP-IN KITCHEN SINK - SINK GRID

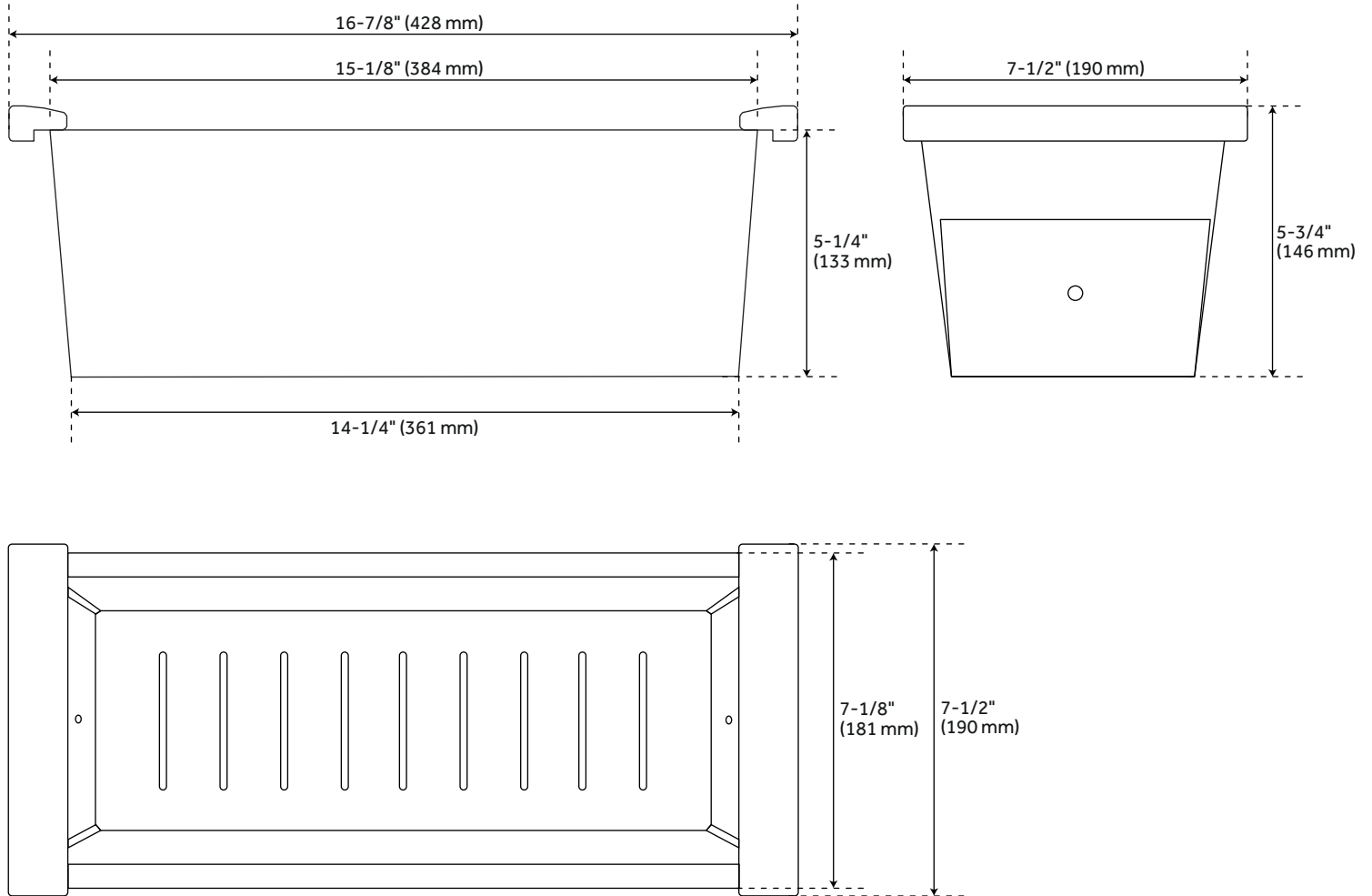
SKU: 953601-33



All dimensions and specifications are nominal and may vary. Use actual products for accuracy in critical situations.

33" MELBROOK WORKSTATION DROP-IN KITCHEN SINK - METAL COLANDER

SKU: 953601-33



All dimensions and specifications are nominal and may vary. Use actual products for accuracy in critical situations.