

# LENTZ

## SHOWER SYSTEM WITH RAINFALL SHOWER HEAD & HAND SHOWER - LEVER HANDLE

SKU: 953088-L



### CONTENTS

PRESSURE BALANCE VALVE TRIM .....	PAGE 2
PB ROUGH-IN VALVE .....	PAGE 3
DIVERTER VALVE TRIM .....	PAGE 4
DIVERTER ROUGH-IN VALVE .....	PAGE 5
SHOWER HEAD .....	PAGE 6
WALL SHOWER ARM .....	PAGE 7
HAND SHOWER .....	PAGE 8
SLIDE BAR .....	PAGE 9
HOSE .....	PAGE 10
WATER SUPPLY ELBOW .....	PAGE 11

### FEATURES

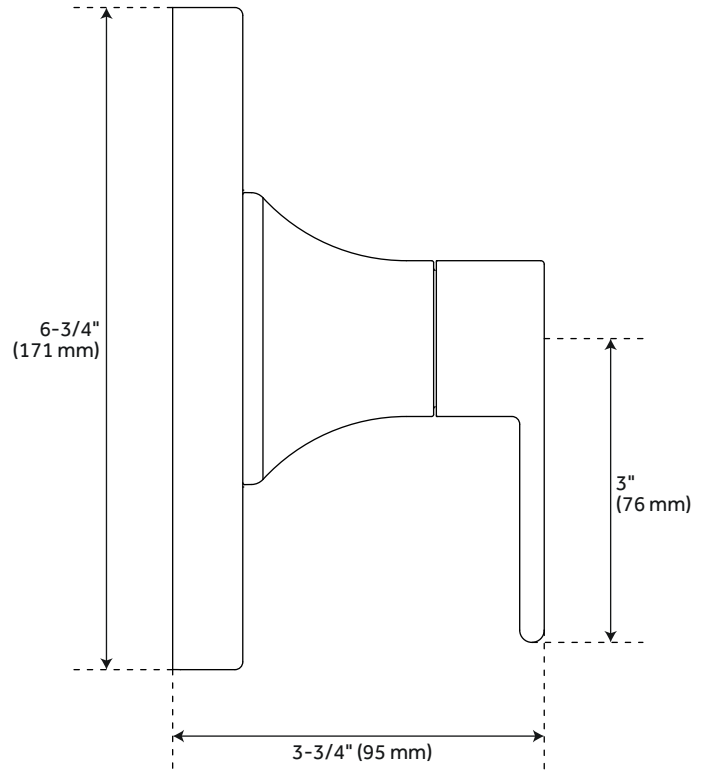
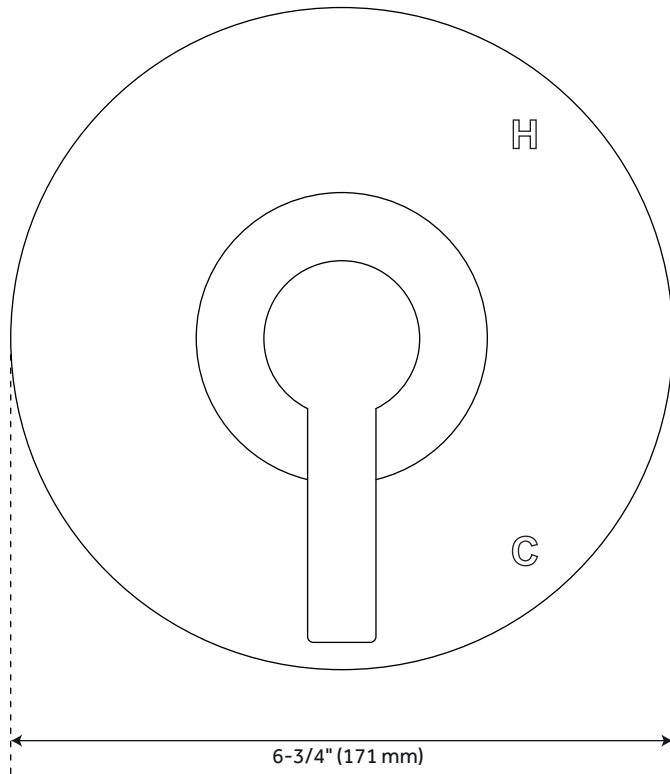
- Design: Modern
- Shape: Round
- Installation Type: Wall Mount
- Handle Type: Lever
- Assembly Required: No
- Metal Handles
- Single Function Shower Head (Full Spray)
- Easy Clean Rubber Nozzles
- Brass Ball-Joint
- Brass Constructed Shower Arm
- Water Supply Elbow:
  - 1/2" Female Wall Connection
  - 1/2" Male Hose Connection
- Optional Pressure Balance Rough-In Valve:
  - Pressure Balance Valve with Integral Stops
  - One-Piece Cartridge Design for Ease of Maintenance
  - Back-to-Back Capability
  - Ceramic Disc Valve Cartridge
  - Cast Bronze Valve Body
  - Adjustable Temperature Limit Stop
  - Quick Remove Plaster Guard
  - Easy Mounting Brackets
- Optional Diverter Rough-In Valve:
  - Six Total Settings Allow for Shared Water Flow Between Outlets, Giving You the Ability to Use Two Functions at Once
  - Ceramic Cartridge
  - Available Single-Function Diverter Valve Cartridge Restricts Water Flow to One Outlet at a Time
  - For Installations Only Requiring 2 Outlets, the 3rd Outlet may be Looped into One of the Existing Pipes
  - Brass Valve Body

REVISED 05/24/2021

# LENTZ

## PRESSURE BALANCE VALVE TRIM

SKU: 953088-L



### FEATURES

Material: Brass  
Length: 6-3/4"  
Height: 6-3/4"  
Depth: 3-3/4"  
Handle Length: 3"

### CODES/STANDARDS

cUPC  
ASME A112.18.1/CSA B125.1  
Massachusetts Accepted

### LISTED ID:

SHLZ8010LH, SHLZPBLEV

### PRODUCT IMAGE



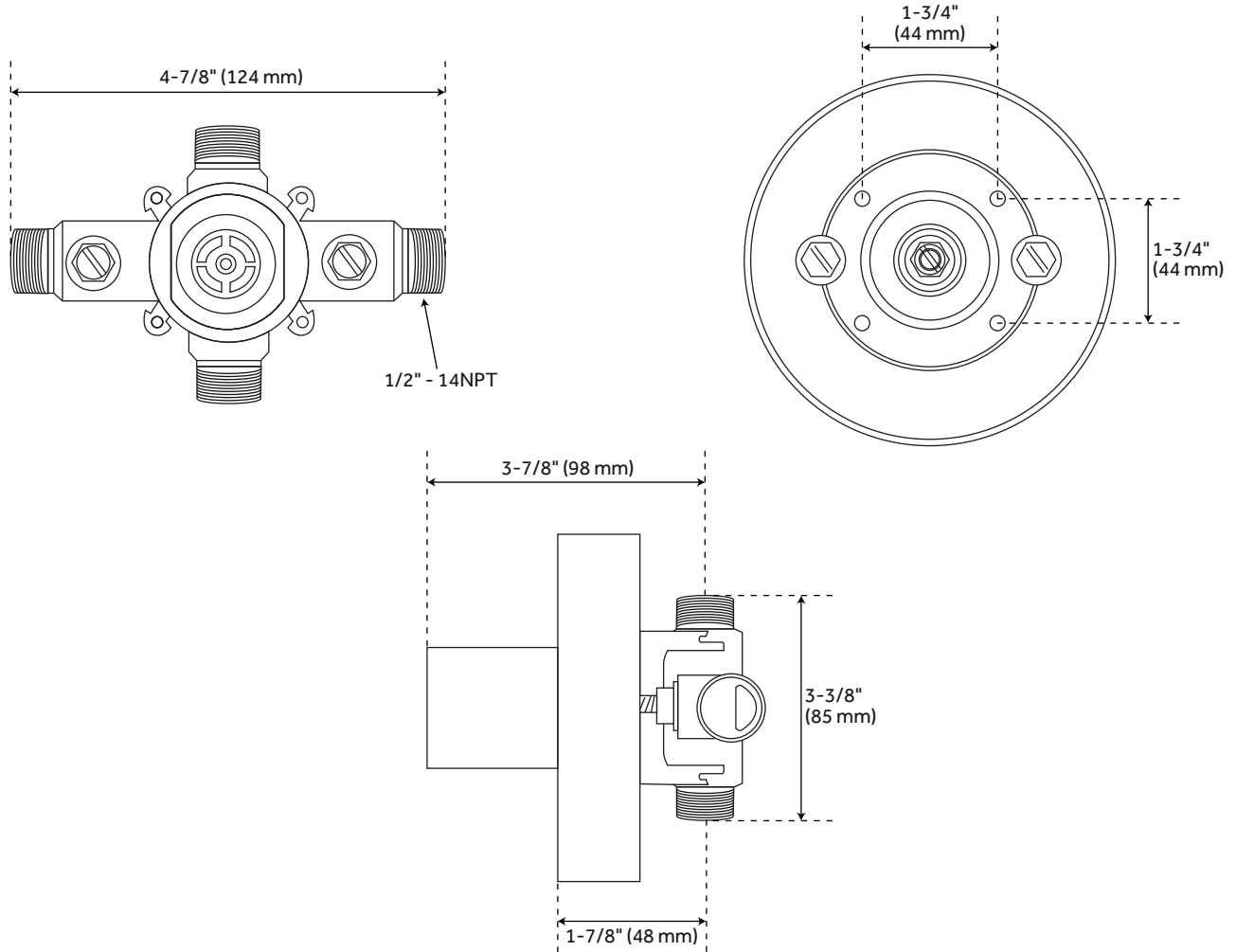
All dimensions and specifications are nominal and may vary. Use actual products for accuracy in critical situations.

PAGE 2  
Code: SHLZ8010LH, SHLZPBLEV

# LENTZ

## OPTIONAL ROUGH-IN VALVE FOR PRESSURE BALANCE SHOWER VALVE TRIM

SKU: 953088-L



### FEATURES

Material: Bronze  
NPT Connection: 1/2"

### CODES/STANDARDS

cUPC  
ASME A112.18.1/CSA B125.1  
ASSE 1016 Type P  
Massachusetts Accepted

### LISTED ID:

SH4001

### PRODUCT IMAGE



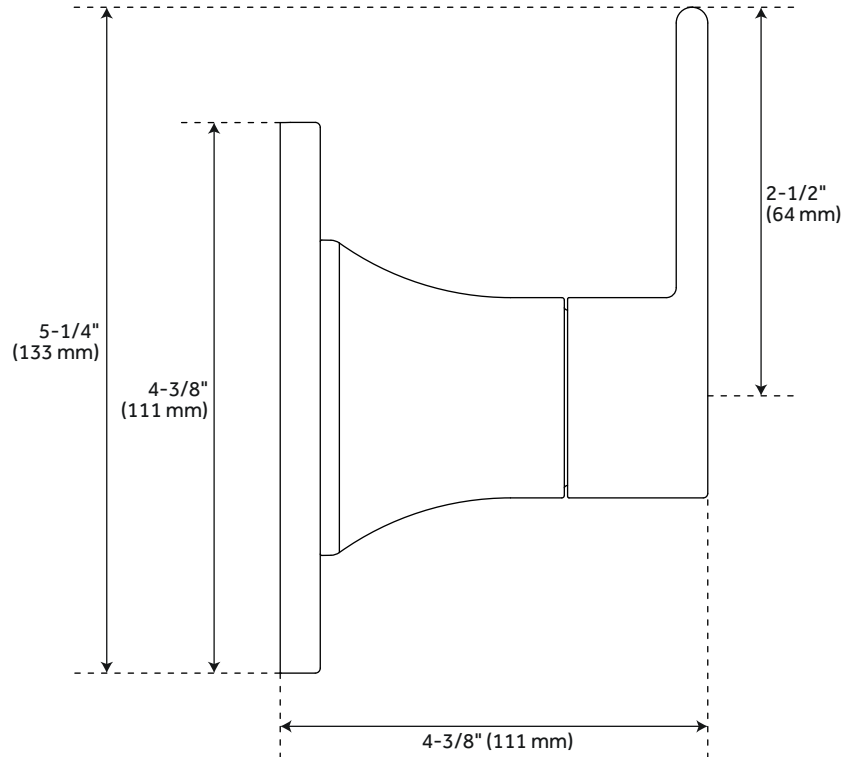
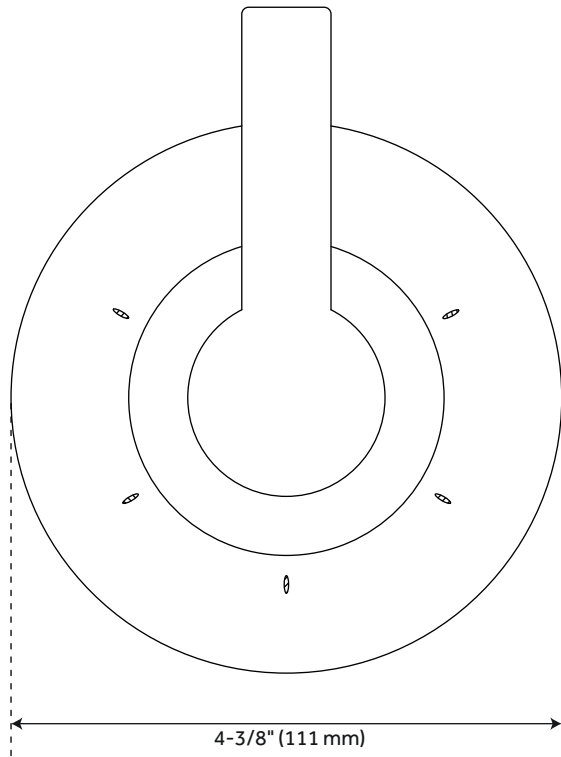
All dimensions and specifications are nominal and may vary. Use actual products for accuracy in critical situations.

PAGE 3  
Code: SH4001

# LENTZ

## DIVERTER VALVE TRIM

SKU: 953088-L



### FEATURES

Material: Brass  
Length: 4-3/8"  
Height: 5-1/4"  
Depth: 4-3/8"  
Handle Length: 2-1/2"  
Base Plate Diameter: 4-3/8"

### CODES/STANDARDS

cUPC  
ASME A112.18.1/CSA B125.1  
Massachusetts Accepted

### LISTED ID:

SHLZ9005LH, SHLZTVLEV



### PRODUCT IMAGE



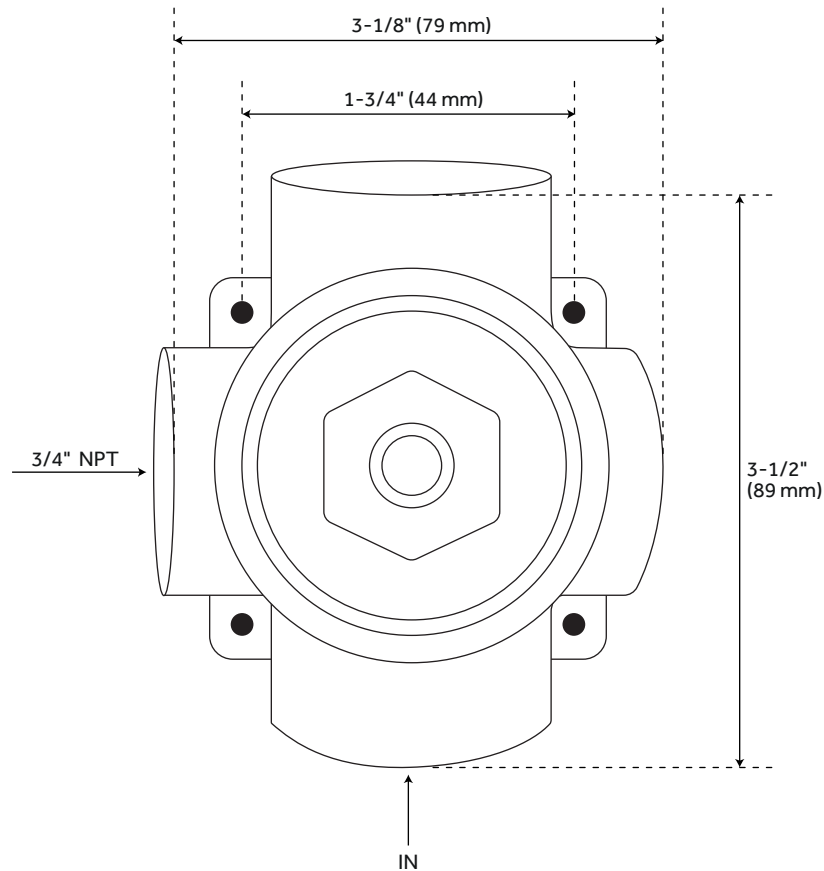
All dimensions and specifications are nominal and may vary. Use actual products for accuracy in critical situations.

PAGE 4  
Code: SHLZ9005LH, SHLZTVLEV

# LENTZ

## OPTIONAL ROUGH-IN VALVE FOR DIVERTER VALVE TRIM

SKU: 953088-L



### FEATURES

Material: Brass  
NPT Connection: 3/4"

### CODES/STANDARDS

cUPC  
ASME A112.18.1/CSA B125.1  
Massachusetts Accepted

### PRODUCT IMAGE



### LISTED ID:

SH6103



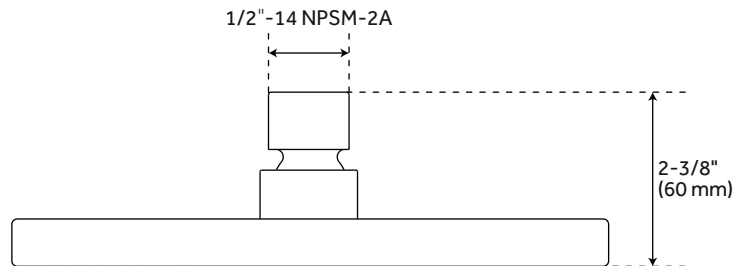
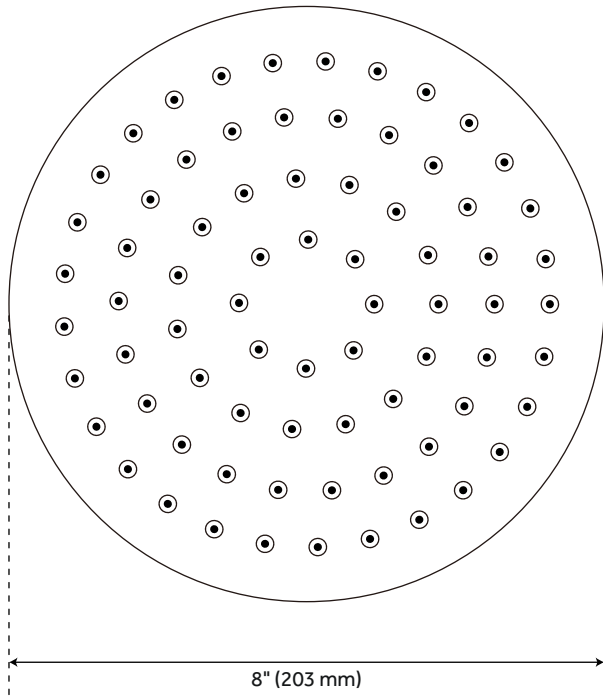
All dimensions and specifications are nominal and may vary. Use actual products for accuracy in critical situations.

PAGE 5  
Code: SH6103

# LENTZ

## WALL-MOUNT RAINFALL SHOWER HEAD

SKU: 953088-L



### FEATURES

Material: ABS  
Diameter: 8"  
Height: 2-3/8"  
Connection Type: 1/2"-14 NPSM-2A  
Rainfall Shower Head Flow Rate:  
1.8 gpm (6.8L/min) Max @ 80 psi

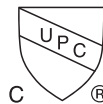
### CODES/STANDARDS

cUPC  
ASME A112.18.1/CSA 125.1  
CEC Listed  
WaterSense  
Massachusetts Accepted

### LISTED ID:

SHRSB820RG

### PRODUCT IMAGE



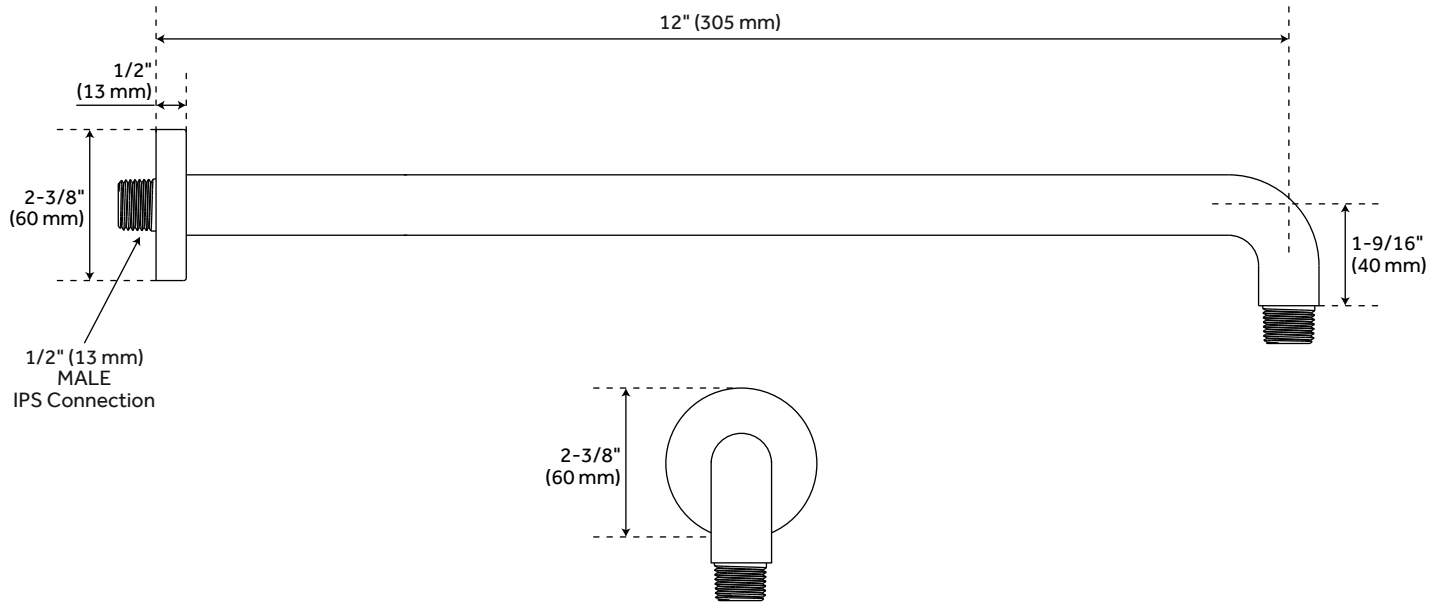
All dimensions and specifications are nominal and may vary. Use actual products for accuracy in critical situations.

PAGE 6  
Code: SHRSB820RG

# LENTZ

## WALL-MOUNT SHOWER ARM

SKU: 953088-L



### FEATURES

Material: Brass  
Length: 12"  
Height: 1-9/16"  
Base Plate Diameter: 2-3/8"  
Escutcheon Included  
IPS: 1/2"

### CODES/STANDARDS

cCSAus  
ASME A112.18.1/CSA B125.1  
Massachusetts Accepted

### LISTED ID:

SHRSA120

### PRODUCT IMAGE



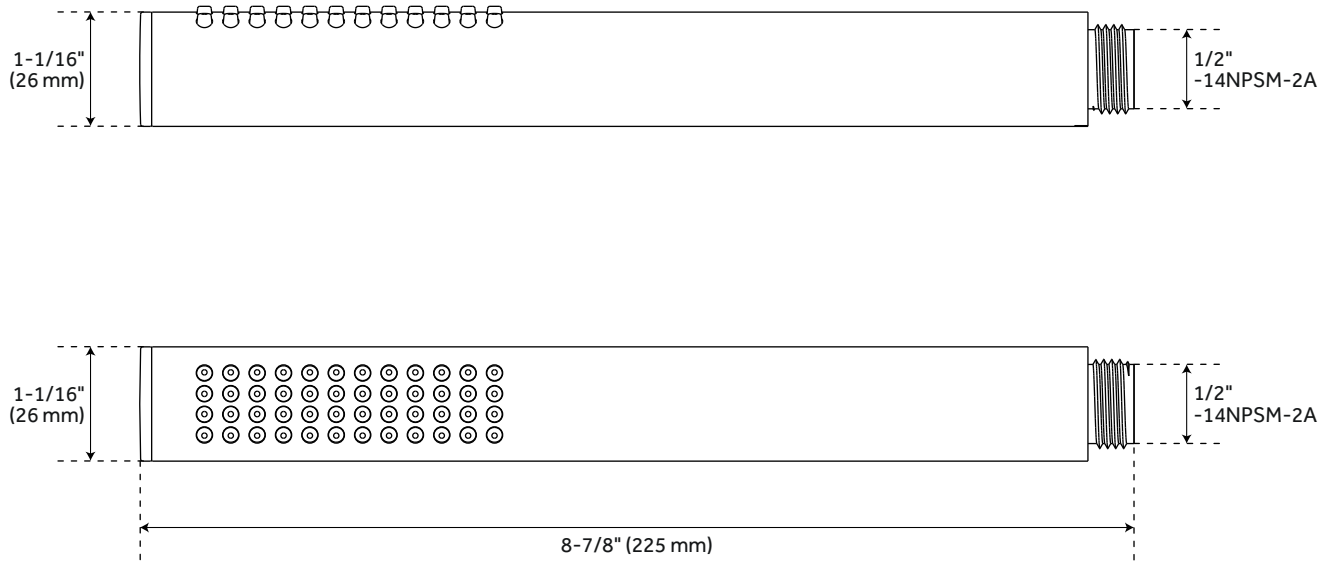
All dimensions and specifications are nominal and may vary. Use actual products for accuracy in critical situations.

PAGE 7  
Code: SHRSA120

# LENTZ

## HAND SHOWER

SKU: 953088-L



### FEATURES

Material: ABS  
Length: 1-1/16"  
Width: 1-1/16"  
Height: 8-7/8"

### CODES/STANDARDS

cUPC  
ASME A112.18.1/CSA B125.1  
WaterSense  
CEC Listed  
Massachusetts Accepted

### LISTED ID:

SHHS4030G

### PRODUCT IMAGE



All dimensions and specifications are nominal and may vary. Use actual products for accuracy in critical situations.

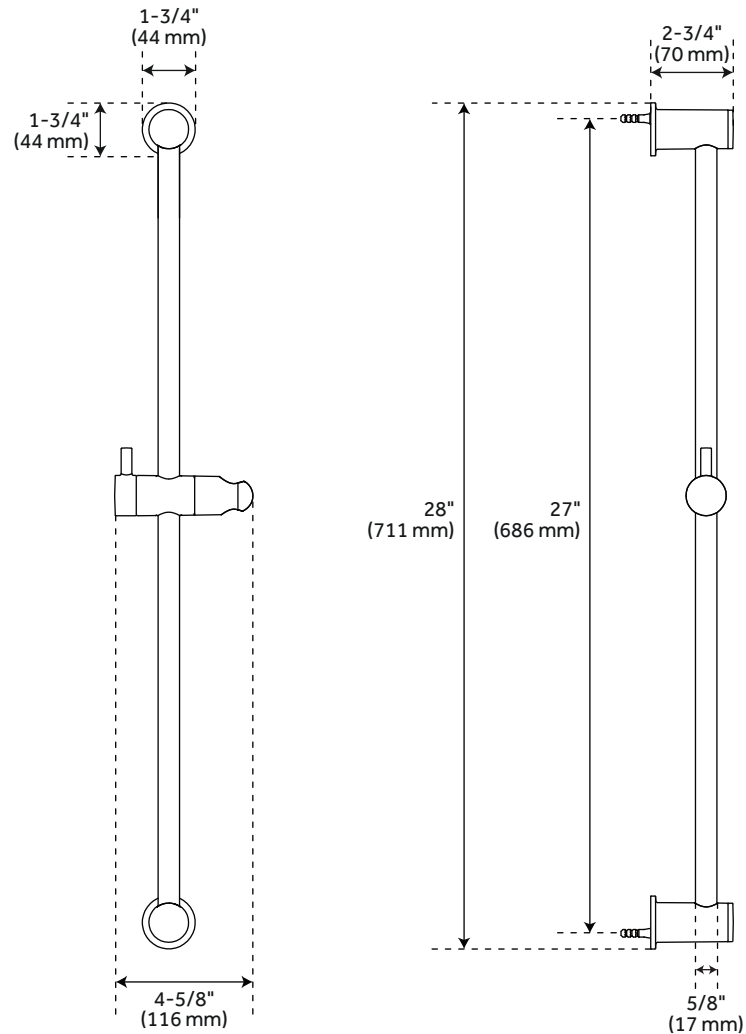
PAGE 8  
Code: SHHS4030G



# LENTZ

## SLIDE BAR

SKU: 953088-L



### FEATURES

- Material: Brass
- Length: 4-5/8"
- Width: 2-3/4"
- Height: 28"
- Base Plate Height: 1-3/4"
- Base Plate Width: 1-3/4"

### PRODUCT IMAGE



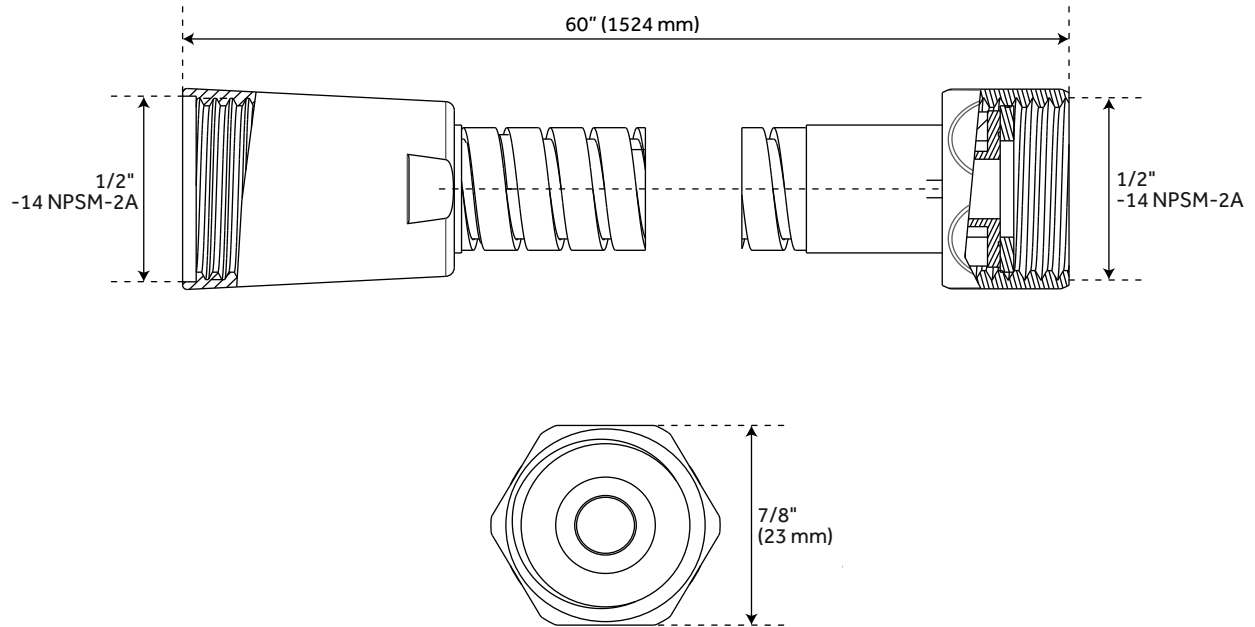
All dimensions and specifications are nominal and may vary. Use actual products for accuracy in critical situations.

PAGE 9  
Code: SHSB3040

# LENTZ

## HAND SHOWER HOSE

SKU: 953088-L



### FEATURES

Length: 60"  
Connection Type: 1/2"-14 NPSM-2A  
Double Spiral Construction  
Metal Conical Nut

### CODES/STANDARDS

cUPC  
ASME A112.18.1/CSA B125.1  
Massachusetts Accepted

### LISTED ID:

SHH1010



### PRODUCT IMAGE



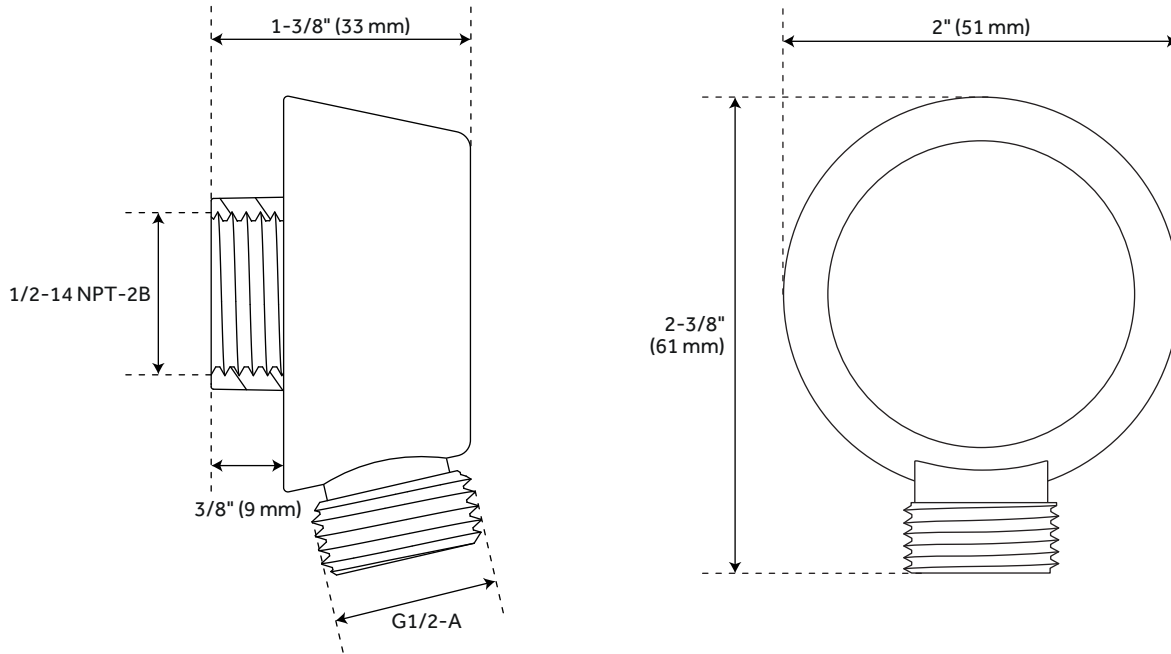
All dimensions and specifications are nominal and may vary. Use actual products for accuracy in critical situations.

PAGE 10  
Code: SHH1010

# LENTZ

## WATER SUPPLY ELBOW

SKU: 953088-L



### FEATURES

Material: Brass  
Length: 2-3/8"  
Width: 2"  
Height: 1-3/8"  
Wall Connection: 1/2-14 NPT-2B  
Hose Connection: G1/2-A

### CODES/STANDARDS

cUPC  
ASME A112.18.1/CSA B125.1  
Massachusetts Accepted

### LISTED ID:

SHWE2040

### PRODUCT IMAGE



All dimensions and specifications are nominal and may vary. Use actual products for accuracy in critical situations.

PAGE 11  
Code: SHWE2040