

LENTZ

PRESSURE BALANCE TUB AND SHOWER SYSTEM WITH KNOB HANDLES

SKU: 953086-K



FEATURES

- Design: Modern
- Shape: Round
- Installation Type: Wall Mount
- Handle Type: Knob
- Assembly Required: No
- Metal Handle
- Single Function Shower Head (Full Spray)
- Easy Clean Rubber Nozzles
- Brass Ball-Joint
- Brass Constructed Shower Arm
- 1/2" Slip-Fit Connection Tub Spout
- Optional Rough-In Valve:
 - Pressure Balance Valve with Integral Stops
 - One-Piece Cartridge Design for Ease of Maintenance
 - Back-to-Back Capability
 - Ceramic Disc Valve Cartridge
 - Cast Bronze Valve Body
 - Adjustable Temperature Limit Stop
 - Quick Remove Plaster Guard
 - Easy Mounting Brackets

CONTENTS

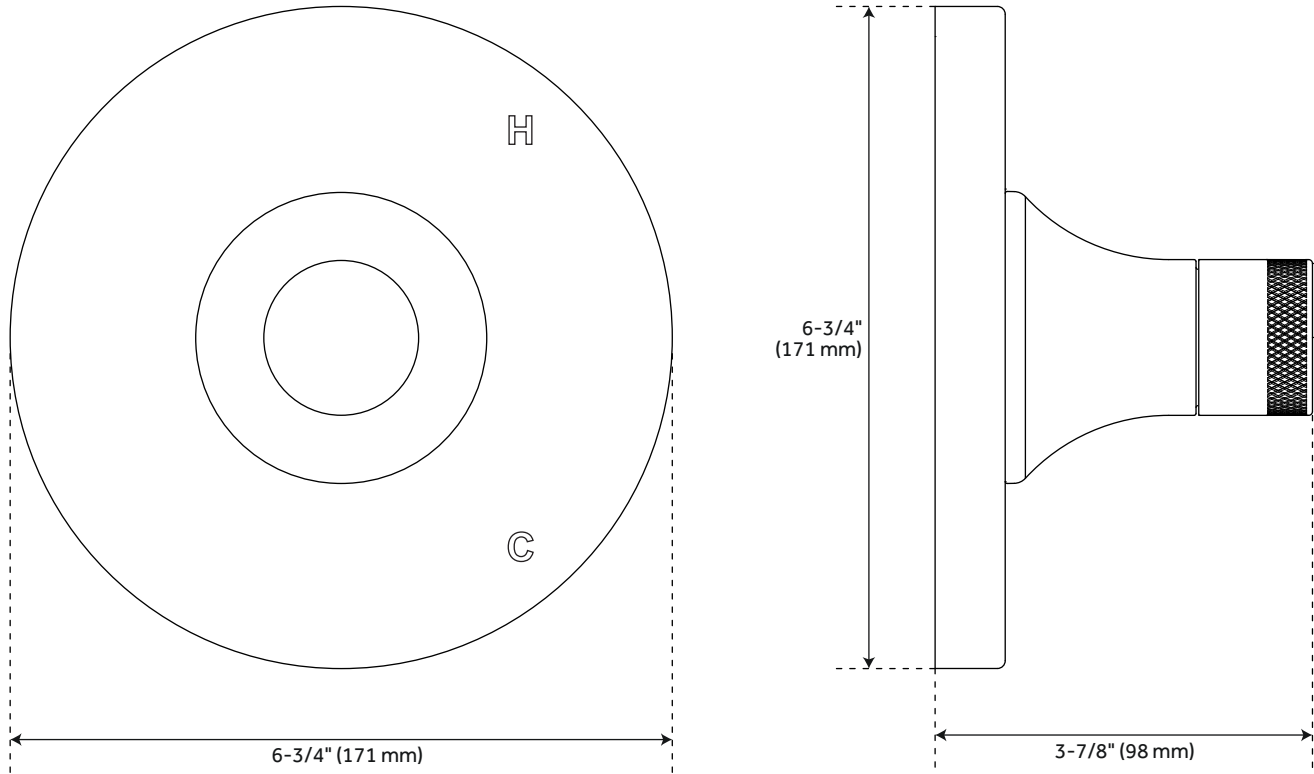
PRESSURE BALANCE VALVE TRIM	PAGE 2
PB ROUGH-IN VALVE	PAGE 3
SHOWER HEAD	PAGE 4
WALL SHOWER ARM	PAGE 5
TUB SPOUT	PAGE 6

REVISED 05/24/2021

LENTZ

PRESSURE BALANCE VALVE TRIM

SKU: 953086-K



FEATURES

Material: Brass
Length: 6-3/4"
Height: 6-3/4"
Depth: 3-7/8"

CODES/STANDARDS

cUPC
ASME A112.18.1/CSA B125.1
Massachusetts Accepted

LISTED ID:

SHLZ8010LH, SHLZPBKNOB

PRODUCT IMAGE



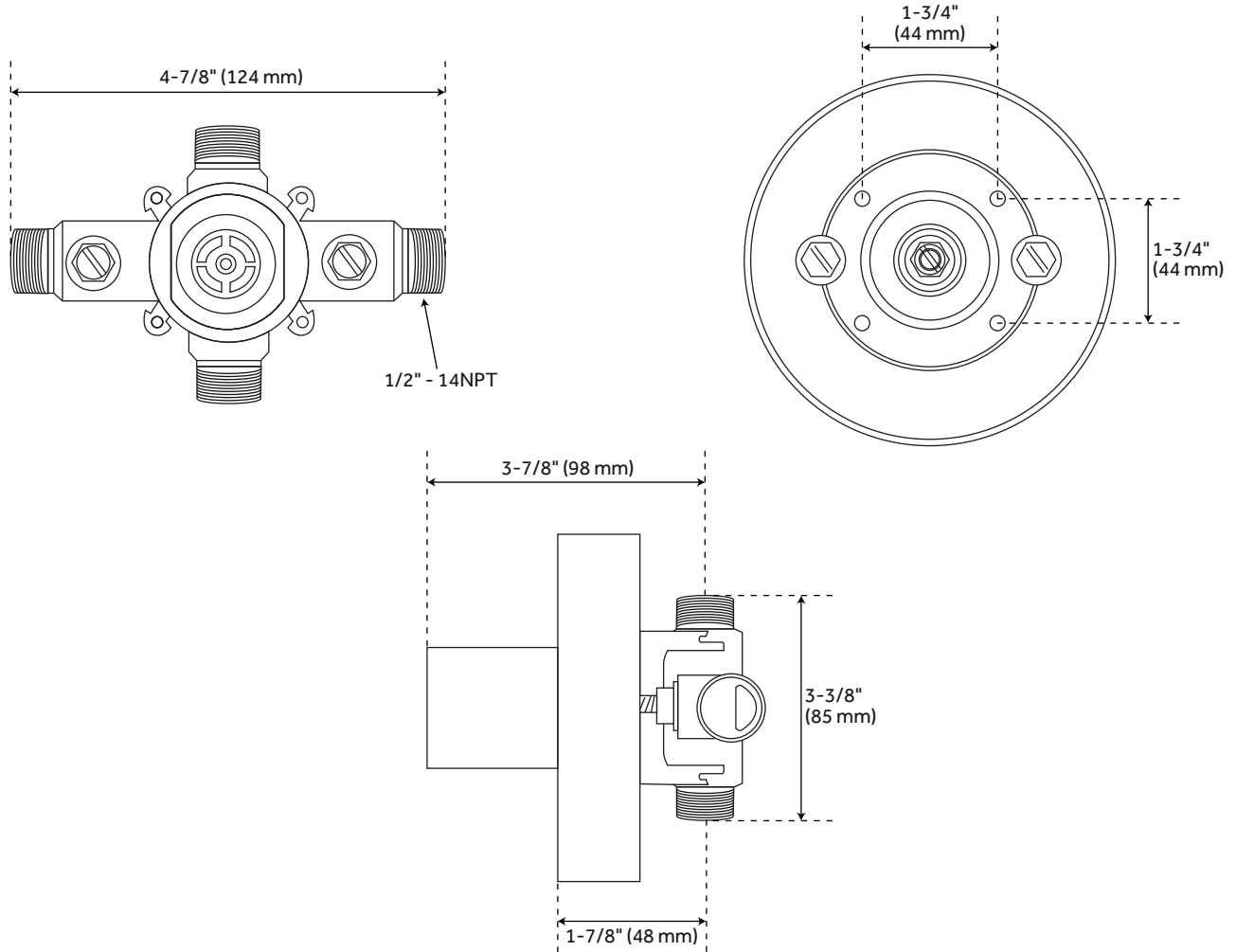
All dimensions and specifications are nominal and may vary. Use actual products for accuracy in critical situations.

PAGE 2
Code: SHLZ8010LH, SHLZPBKNOB

LENTZ

OPTIONAL ROUGH-IN VALVE FOR PRESSURE BALANCE SHOWER VALVE TRIM

SKU: 953086-K



FEATURES

Material: Bronze
NPT Connection: $1/2"$

CODES/STANDARDS

cUPC
ASME A112.18.1/CSA B125.1
ASSE 1016 Type P
Massachusetts Accepted

LISTED ID:

SH4001

PRODUCT IMAGE



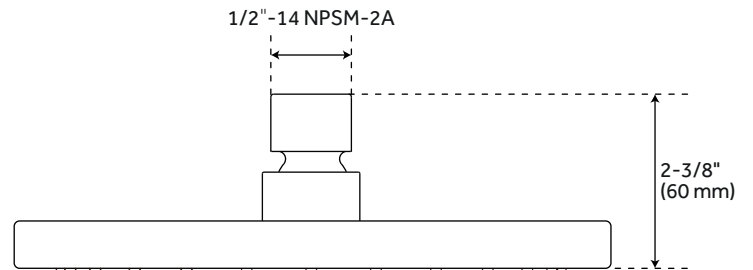
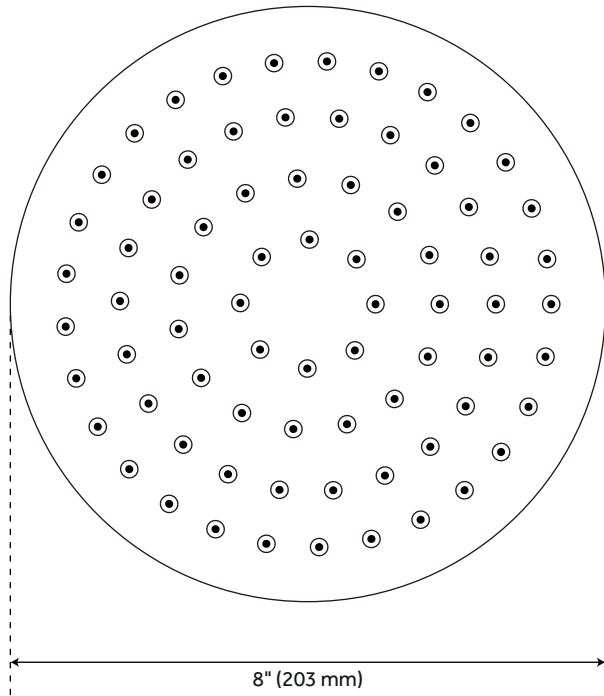
All dimensions and specifications are nominal and may vary. Use actual products for accuracy in critical situations.

PAGE 3
Code: SH4001

LENTZ

WALL-MOUNT RAINFALL SHOWER HEAD

SKU: 953086-K



FEATURES

Material: ABS
Diameter: 8"
Height: 2-3/8"
Connection Type: 1/2"-14 NPSM-2A
Rainfall Shower Head Flow Rate:
1.8 gpm (6.8L/min) Max @ 80 psi

CODES/STANDARDS

cUPC
ASME A112.18.1/CSA 125.1
CEC Listed
WaterSense
Massachusetts Accepted

LISTED ID:

SHRSB820RG

PRODUCT IMAGE



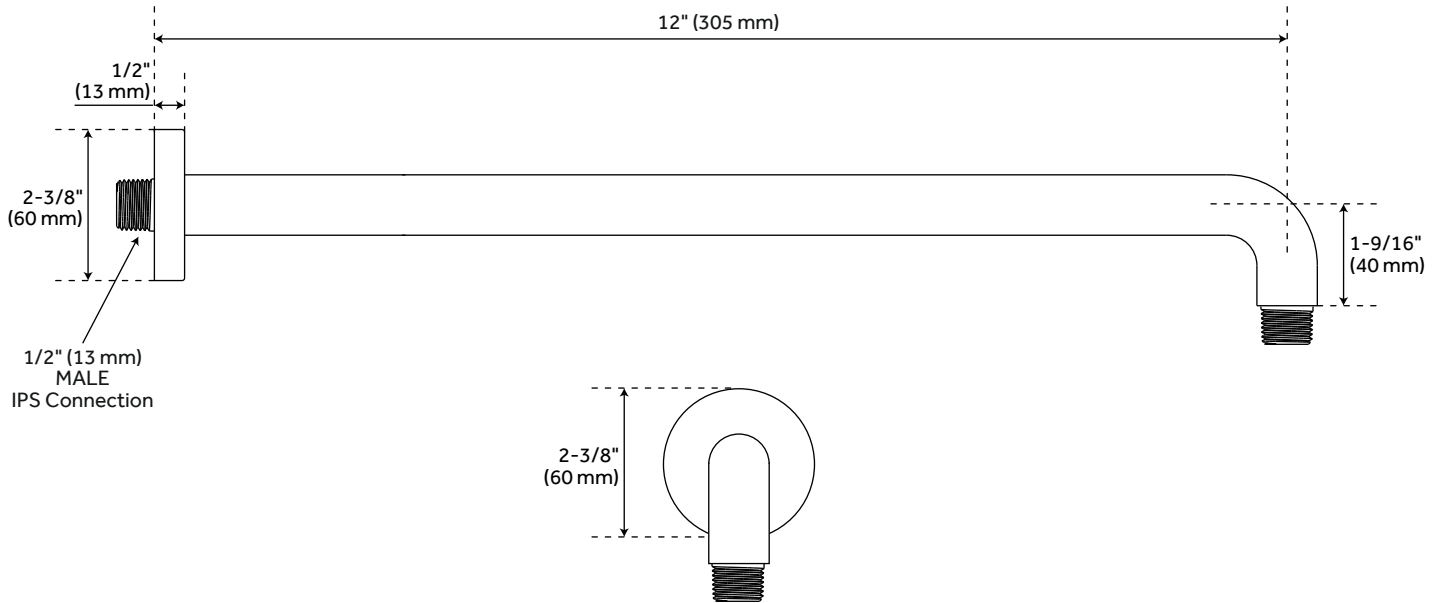
All dimensions and specifications are nominal and may vary. Use actual products for accuracy in critical situations.

PAGE 4
Code: SHRSB820RG

LENTZ

WALL-MOUNT SHOWER ARM

SKU: 953086-K



FEATURES

Material: Brass
Length: 12"
Height: 1-9/16"
Base Plate Diameter: 2-3/8"
Escutcheon Included
IPS: 1/2"

CODES/STANDARDS

cCSAus
ASME A112.18.1/CSA B125.1
Massachusetts Accepted

LISTED ID:

SHRSA120

PRODUCT IMAGE



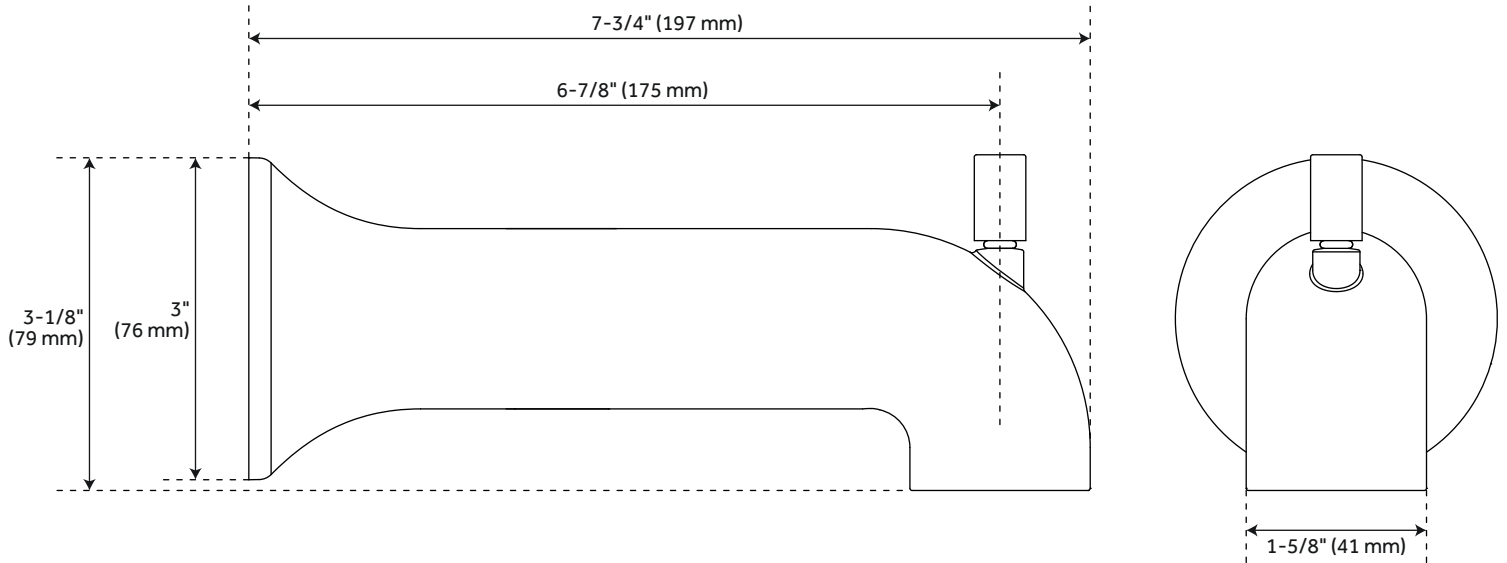
All dimensions and specifications are nominal and may vary. Use actual products for accuracy in critical situations.

PAGE 5
Code: SHRSA120

LENTZ

TUB SPOUT

SKU: 953086-K



FEATURES

Material: Zinc
Length: 7-3/4"
Width: 3"
Height: 3-1/8"
Spout Reach: 6-7/8"
Base Plate Diameter 3"
1/2" Slip Fit Connection

CODES/STANDARDS

cUPC
ASME A112.18.1/CSA B125.1
CEC Listed
Massachusetts Accepted

LISTED ID:

SHTS72

PRODUCT IMAGE



All dimensions and specifications are nominal and may vary. Use actual products for accuracy in critical situations.

PAGE 6
Code: SHTS72