

RYLE DUAL WALL-MOUNT RAINFALL SHOWER SYSTEM WITH HAND SHOWER

SKU: 934434

Code: SH421852, SH421853, SH421854



ASME A112.18.1/CSA B125.1

FEATURES

- Installation Type: Wall Mount
- Features: Hand Shower Included;Thermostatic
- Design: Modern
- Material: Brass
- Base Plate Height: 10-7/8"
- Assembly Required: Yes
- Shape: Square
- Handle Type: Knob
- Installation Type: Wall Mount
- Base Plate Width: 5-1/8"
- Shower Head Installation Type: Wall
- Shower Head Material: Brass
- Shower Head Spray: Rainfall
- Shower Head Length: 7-3/4"
- Shower Head Width: 7-3/4"
- Shower Arm Included: Yes
- Shower Arm Extension: 15-3/4"
- Shower Head IPS: 1/2"
- Shower Head Swivel: Yes
- Valve Trim Width: 5-1/8"
- Valve Trim Height: 10-7/8"
- Hand Shower Hose Length: 59"
- Hand Shower Flow Rate: 2.0 gpm (7.6 L/min) @ 80 psi
- Water Connection Included: Yes
- Diverter Included: Yes
- Diverter Outlets: 4
- Wall Shower Head Flow Rate: 1.8 gpm (6.8 L/min) @ 80 psi

REVISED 3/29/2023

RYLE DUAL WALL-MOUNT RAINFALL SHOWER SYSTEM WITH HAND SHOWER

SKU: 934434

Code: SH421852, SH421853, SH421854



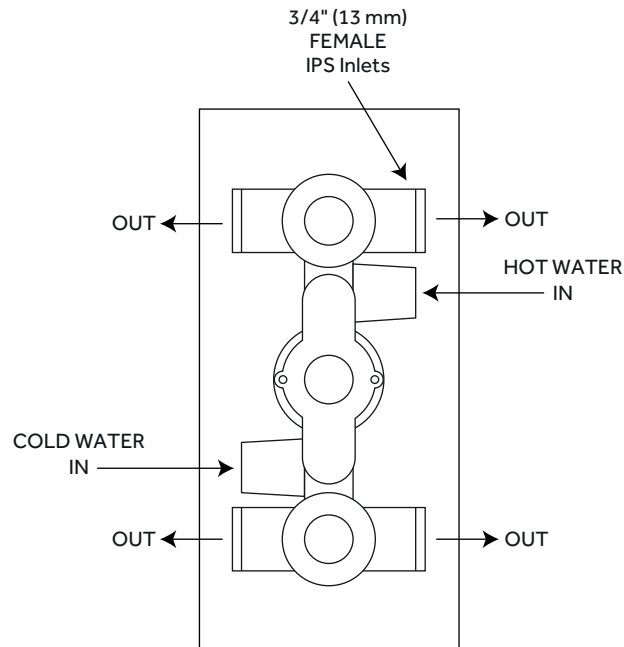
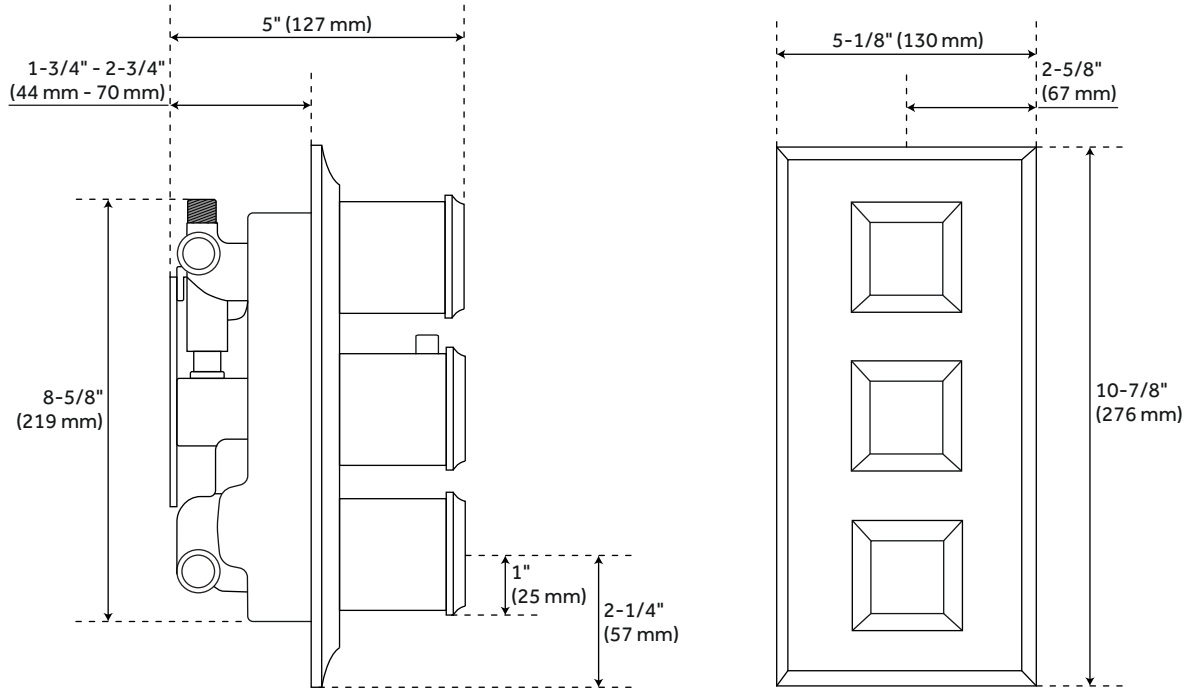
ADDITIONAL FEATURES

- Thermostatic technology keeps shower temperature ± 1 degree Celsius.
- 3/4" FIP inlets/outlets.

REVISED 3/29/2023

RYLE THERMOSTATIC 4-WAY IN-WALL SHOWER DIVERTER

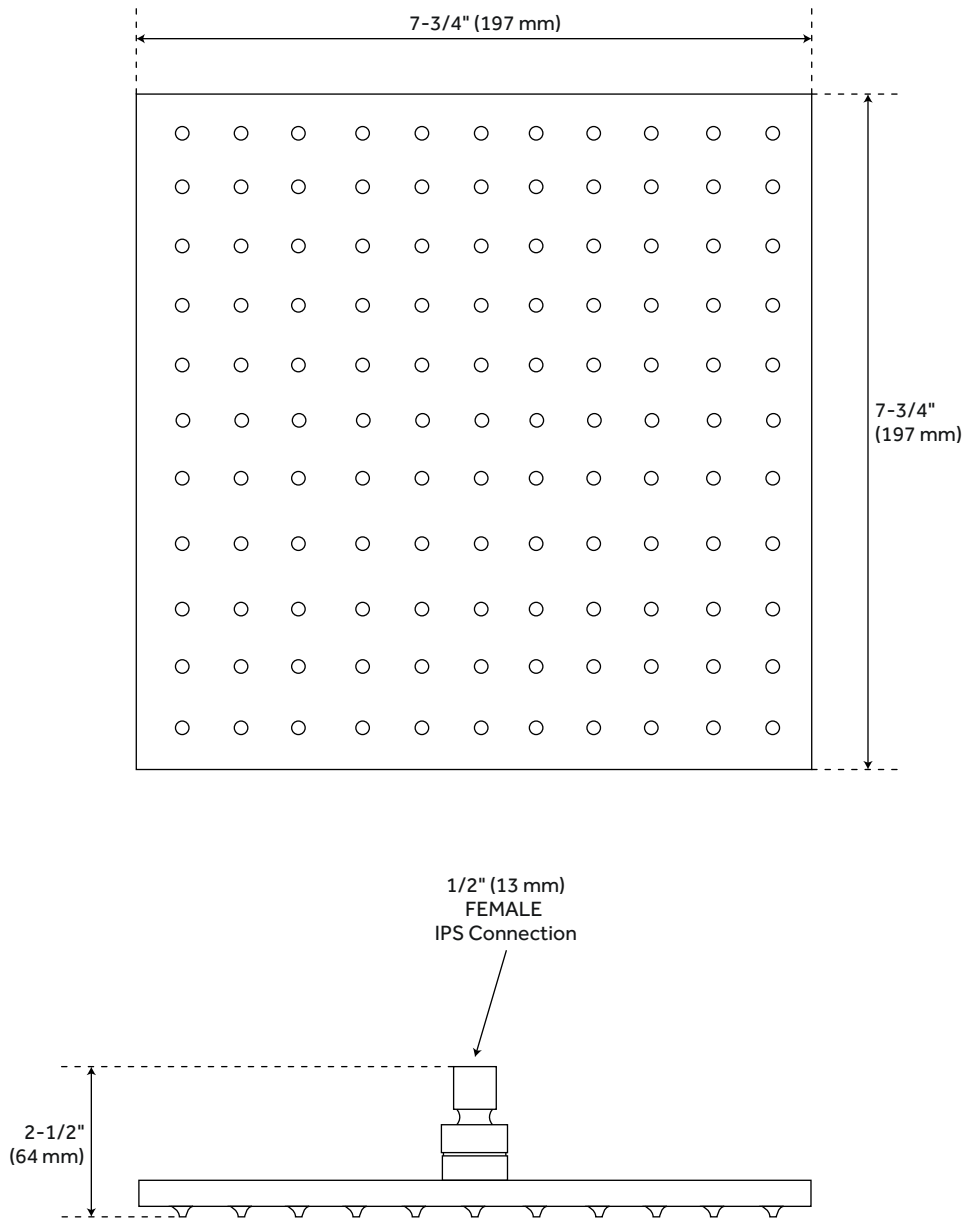
SKU: 934434



All dimensions and specifications are nominal and may vary. Use actual products for accuracy in critical situations.

RYLE SQUARE RAINFALL SHOWER HEAD

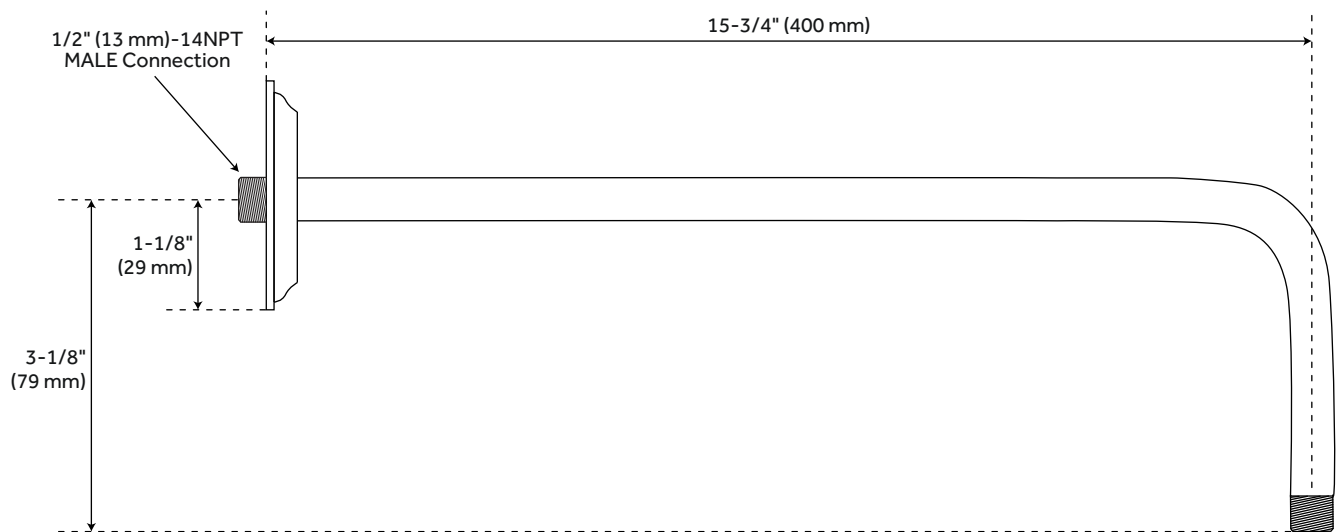
SKU: 934434



All dimensions and specifications are nominal and may vary. Use actual products for accuracy in critical situations.

RYLE WALL-MOUNT RAINFALL SHOWER ARM

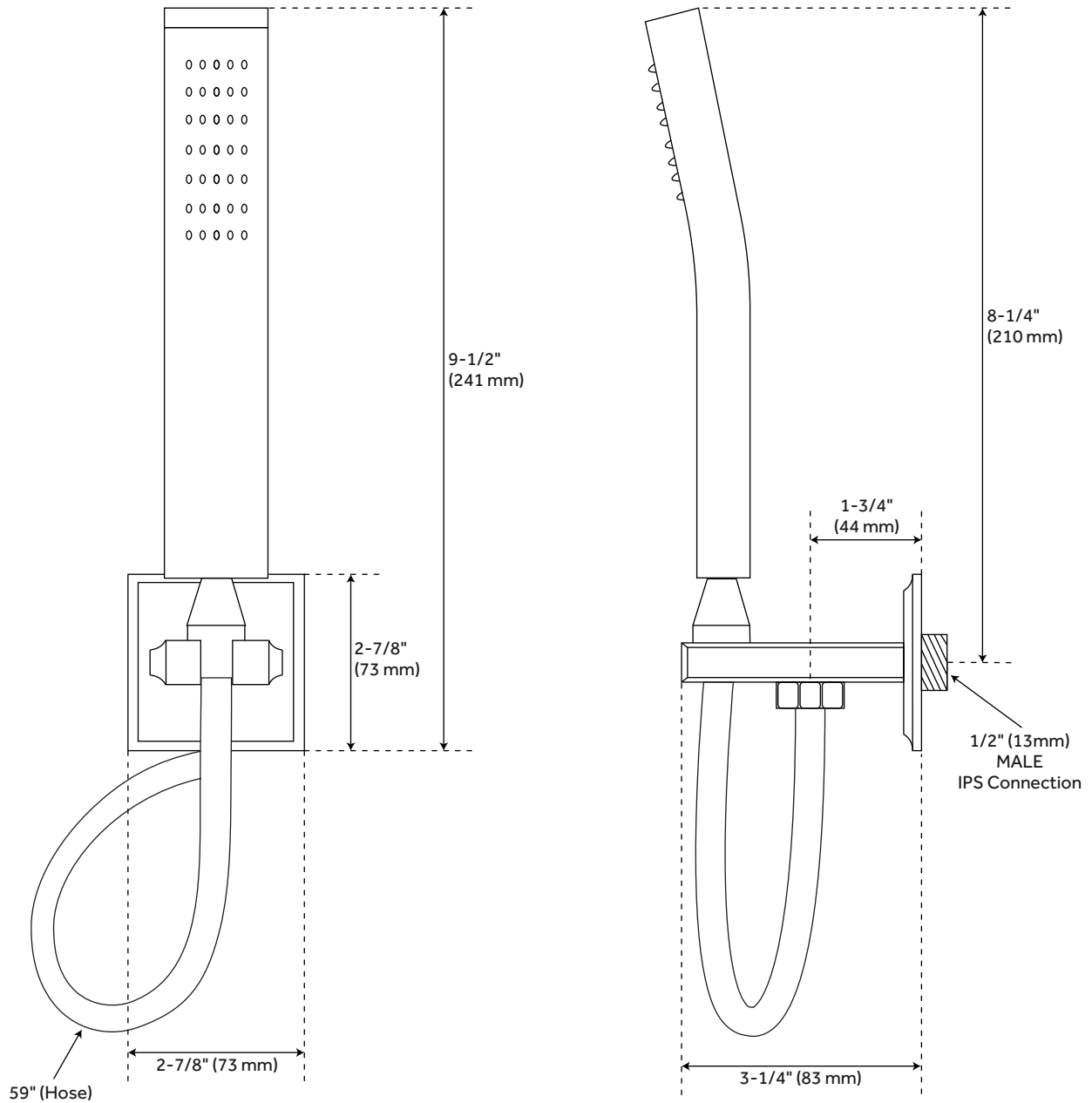
SKU: 934434



All dimensions and specifications are nominal and may vary. Use actual products for accuracy in critical situations.

RYLE HAND SHOWER

SKU: 934434



All dimensions and specifications are nominal and may vary. Use actual products for accuracy in critical situations.