



BOSTONIAN RAINFALL NOZZLE SHOWER SET

CLASSIC LEVER HANDLE

SPECIFICATIONS

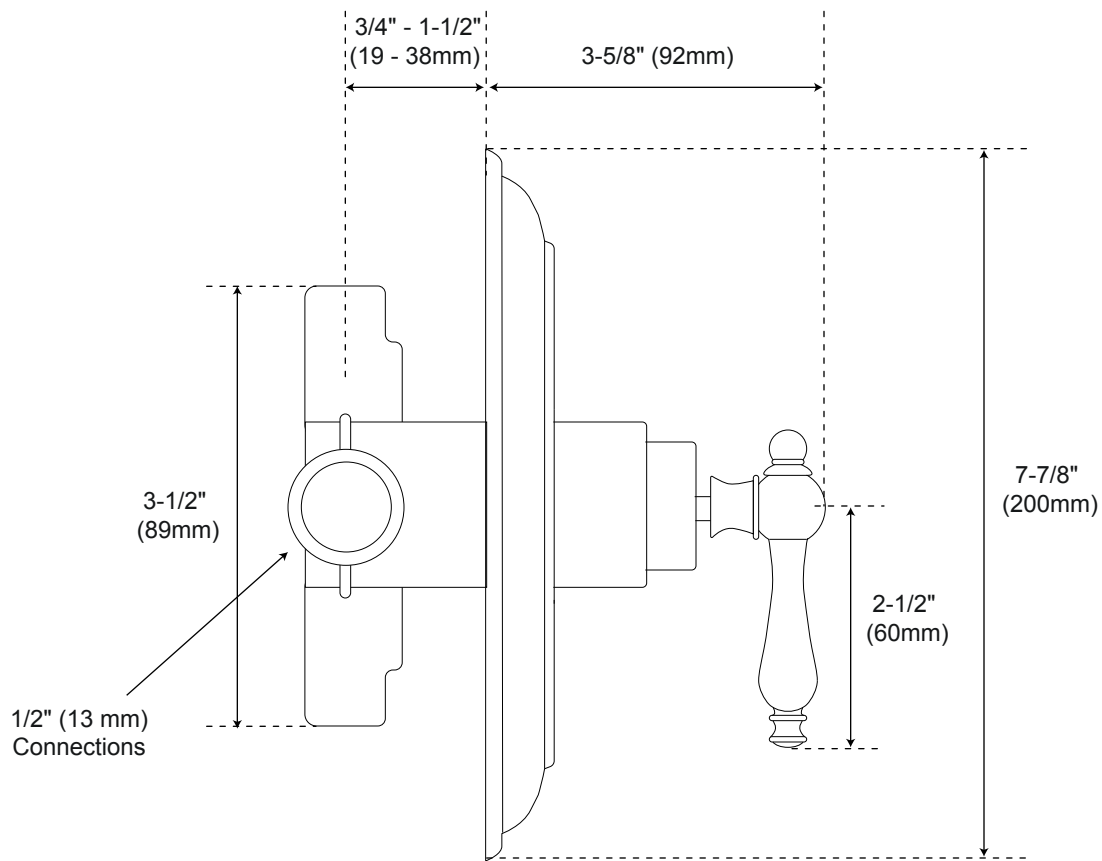
CONTENTS

Shower Valve.....	2
Wall Shower Head.....	3



Shower Valve

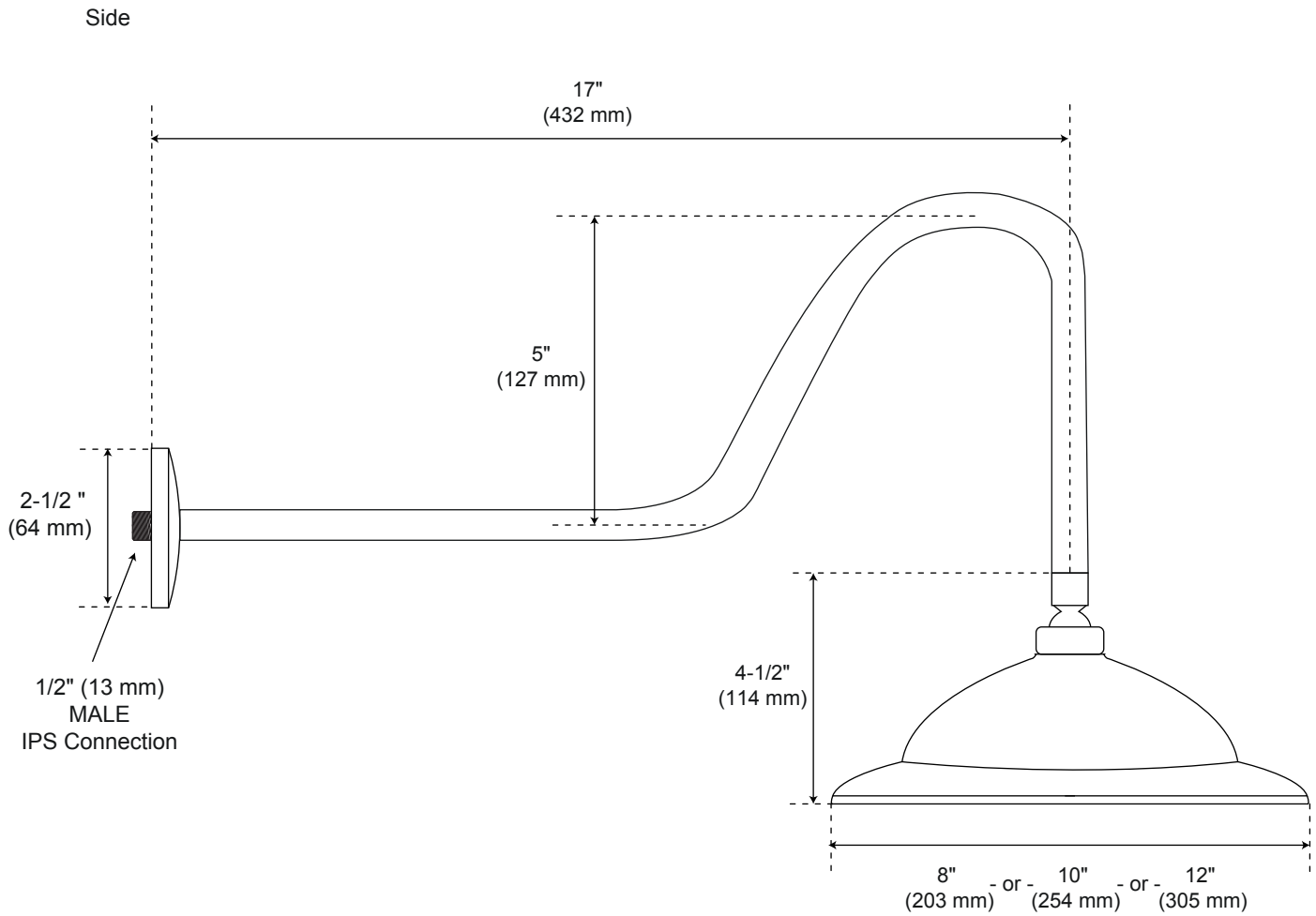
Side



All product dimensions are nominal.



Wall Shower Head

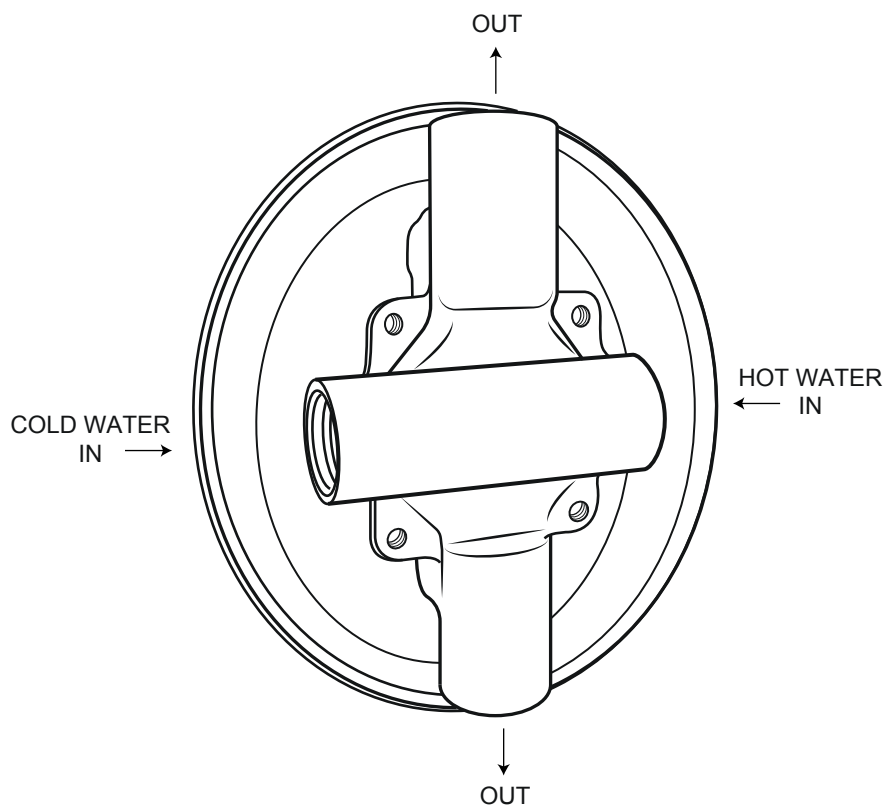


All product dimensions are nominal.



Diverter

(back)



All product dimensions are nominal.