



FIRECLAY DROP-IN SINK

BEFORE INSTALLING

Read entire Drop-In Sink Installation Instructions. Observe all local building and safety codes.

INSTRUCTIONS

For this installation it is assumed that the countertop has been cut to the dimensions of the sink. We recommend consulting a professional if you are unfamiliar with this type of installation. Signature Hardware accepts no liability for any damages to the floor, walls, plumbing or for personal injury during installation.

Unpack and inspect the product for any shipping damages. If you find damages, do not install. Contact Customer Service at 1-855-715-1800. If you need assistance or have questions while installing your sink, contact Customer Service.

TOOLS AND MATERIALS:



Level



Silicone Sealant



Damp Cloth



Basin Wrench



Thread Sealant

MATERIAL DESCRIPTION AND CARE

Fireclay is known for its strength and durability. Fireclay sinks are made of clay that is fired at a heat of over 2,000 degrees Fahrenheit. This causes the clay to become stone-like, producing an ideal material that is resistant to scratching, staining, fading and discoloring.

Use a soft, non-scratching sponge or cloth with mild soap and warm water or a gentle all-purpose cleaner for everyday cleaning. Wipe the surface dry with a clean, soft cloth after each use. Use a non-abrasive liquid or cream kitchen cleaner for tough stains.

To avoid scratching, do not use highly aggressive cleaners such as scouring liquids and powders or drain cleaners. To avoid potential stains or damages to the finish avoid soaking dishes for long periods of time and do not leave coffee grounds or teabags sitting in the sink.

INSTALLATION

1. Lower the sink into the sink cutout on the counter to confirm the sink will fit properly. The perimeter of the sink rim should connect with the counter while the sink bowl should sit completely inside the counter.

Tip: For easier installation, install the drain and faucet before attaching the sink to the counter.

2. Remove the sink and run a bead of silicone sealant around the sink cutout to seal the rim against moisture and leaks.

3. Carefully lower the sink back into the cutout and press the sink firmly into the sealant. Make sure that the sink is level and properly aligned.

4. With the sink in place, tighten the mounting clips (if included) on the underside of the sink.

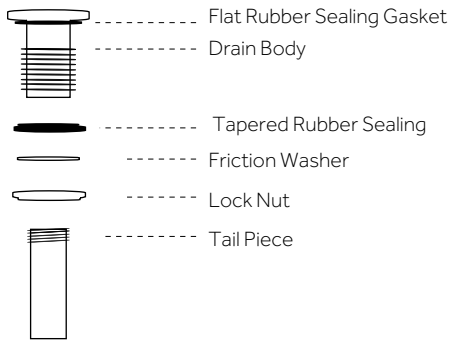
5. Wipe away any excess sealant around the rim of the sink with a damp cloth.



DRAIN INSTALLATION

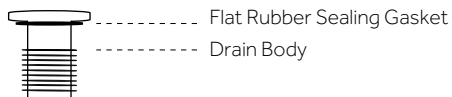
DRAIN INSTALLATION

1. Disassemble the drain by removing the threaded tail piece, rubber sealing gaskets, friction washer and lock nut from the drain body.

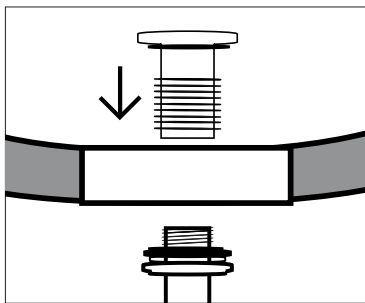


2. Place thread sealant on the threaded section of the tail piece and reattach to the drain body.

3. Slide the flat rubber sealing gasket up the tail piece to the top of the drain body. This gasket will create a water tight seal between the drain flange and sink.

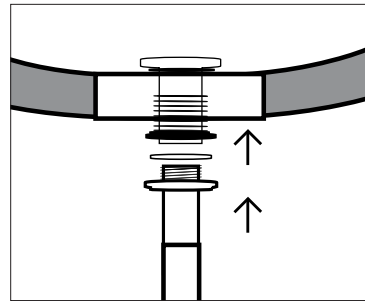


4. Place the drain in the drain hole in the sink.



5. On the underside of the counter, attach the tapered rubber gasket. With the flat side facing down, slide the gasket up the threaded shank until it makes contact with the bottom of the sink.

6. Slide the friction washer up to meet the rubber gasket.



7. Thread the lock nut onto the threaded shank. Hand-tighten and make sure that the drain is properly aligned. When ready, finish tightening with a basin wrench to secure the drain

