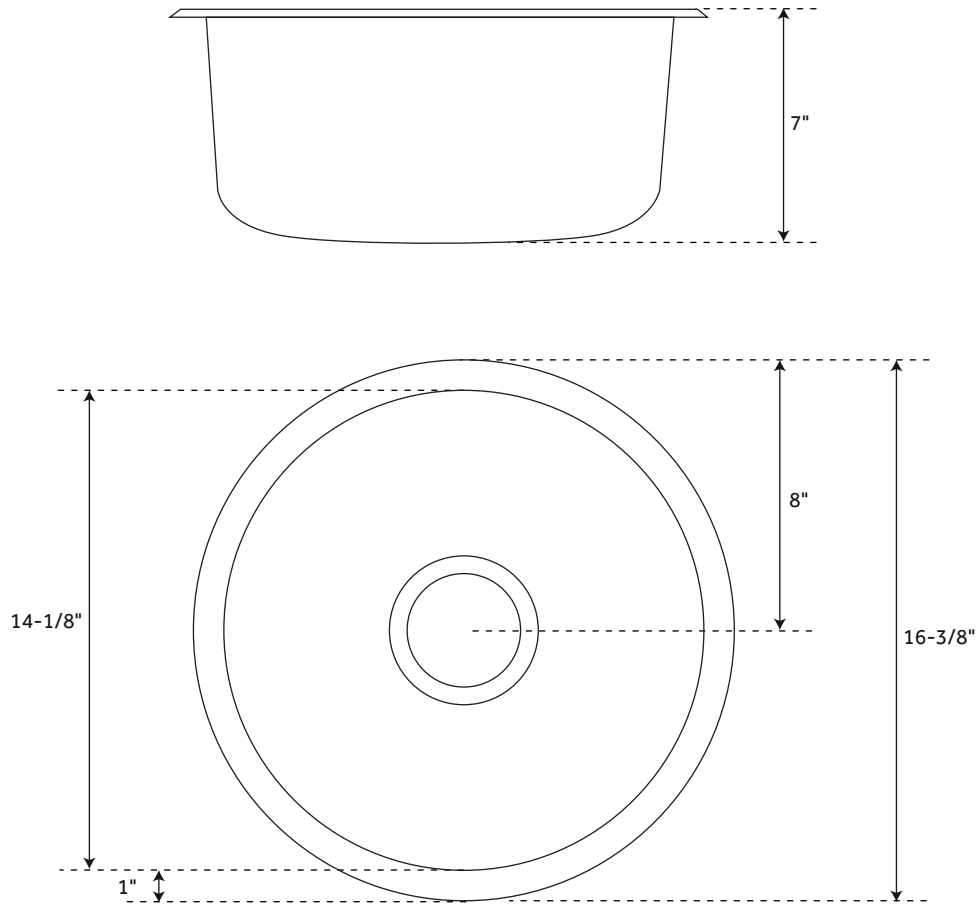


# 16" CALVERTON

## STAINLESS STEEL ROUND SINK

Installed as drop-in or undermount

SKU: 948454



### FEATURES

Material: Stainless Steel  
Basin Split: Single  
Shape: Round  
Sink Installation: Undermount  
Faucet Centers: No Faucet Hole  
Number of Basins: 1  
Product Color: Stainless Steel  
Length: 16-3/8"  
Width: 16-3/8"  
Height: 7"  
Basin Length: 14-1/8"  
Basin Width: 14-1/8"  
Water Depth to Rim: 7"  
Metal Gauge/Thickness: 16  
Faucet Included: No  
Faucet Holes: No Faucet Hole  
Drain Included: Optional  
Fits Drain Hole Size: 3-1/2"  
Mounting Hardware Included: Yes  
Water depth to rim: 7"  
Drain size: 3-1/2"

### SIGNATURE HARDWARE LIFETIME WARRANTY

See website for warranty information



All dimensions and specifications are nominal and may vary. Use actual products for accuracy in critical situations.

REVISED 09/27/2019

CODE: SHCVUC16R