

34" CALVERTON

STAINLESS STEEL DOUBLE UNDERMOUNT KITCHEN SINK

SKU: 948495



FEATURES

Type 304 stainless steel.

It is recommended to have the sink at the job site before cutting cabinet or counter top.

Features a low center divide for maneuvering large pots and pans.

Sound absorption pads on the underside of sink.

Has an undercoating to prevent condensation buildup.

SIGNATURE HARDWARE Lifetime Warranty

See website for detailed warranty information.

CONTENTS

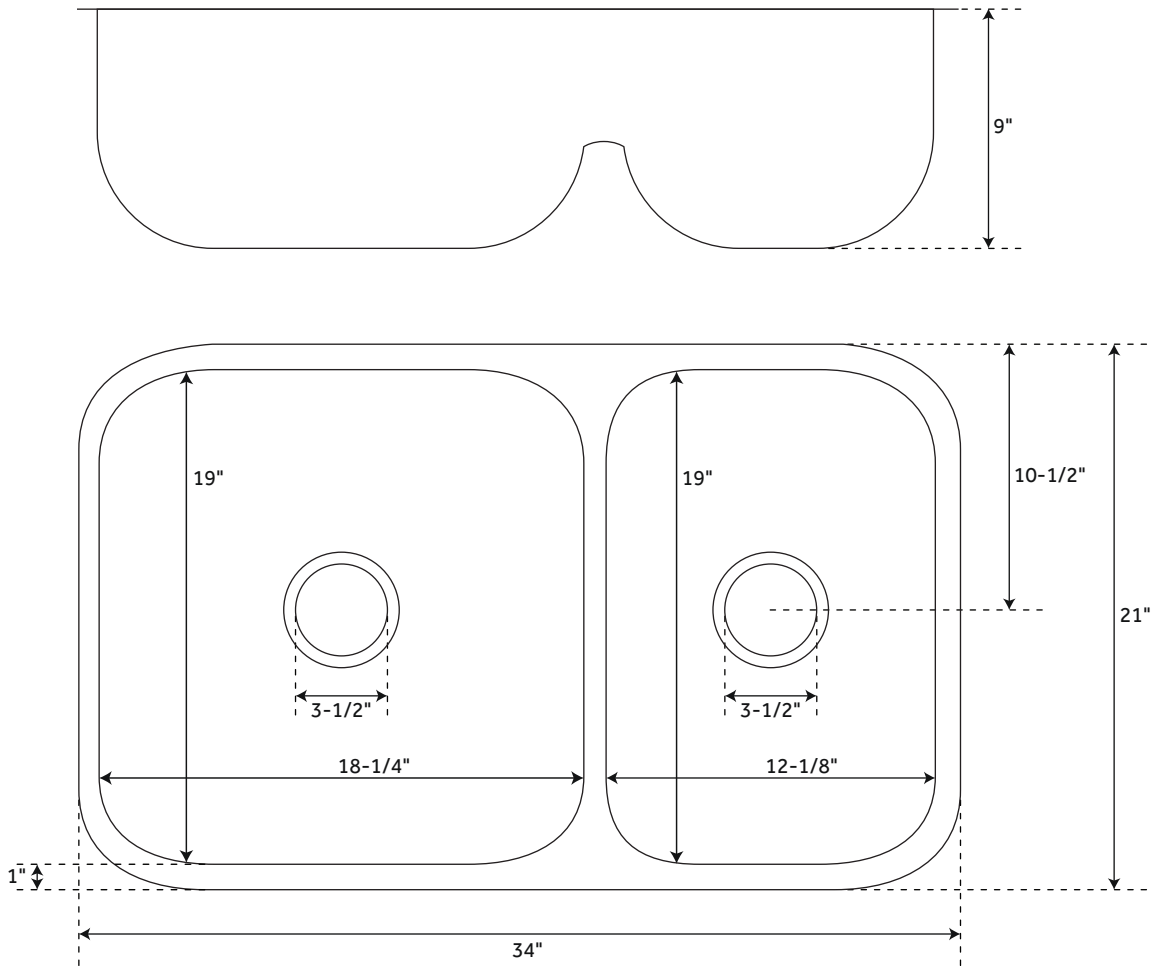
SINK	PAGE 2
GRID 1	PAGE 3
GRID 2	PAGE 4

REVISED 01/22/2020

34" CALVERTON

STAINLESS STEEL DOUBLE UNDERMOUNT KITCHEN SINK

SKU: 948495



FEATURES

Material: Stainless Steel
Basin Split: 60/40
Shape: Rectangle
Sink Installation: Undermount
Faucet Centers: No Faucet Hole
Number of Basins: 2
Length: 34"
Width: 21"
Height: 9"
Large Bowl Length: 18-1/4"
Large Bowl Width: 19"
Small Bowl Length: 12-1/8"
Small Bowl Width: 19"
Metal Gauge/Thickness: 16
Faucet Included: No
Faucet Holes: No Faucet Hole
Drain Placement: Center
Drain Included: Optional
Fits Drain Hole Size: 3-1/2"
Mounting Hardware Included: Yes

CODES/STANDARDS

cUPC
ASME A112.19.3/CSA B45.4



SIGNATURE HARDWARE LIFETIME WARRANTY

See website for warranty information



All dimensions and specifications are nominal and may vary. Use actual products for accuracy in critical situations.

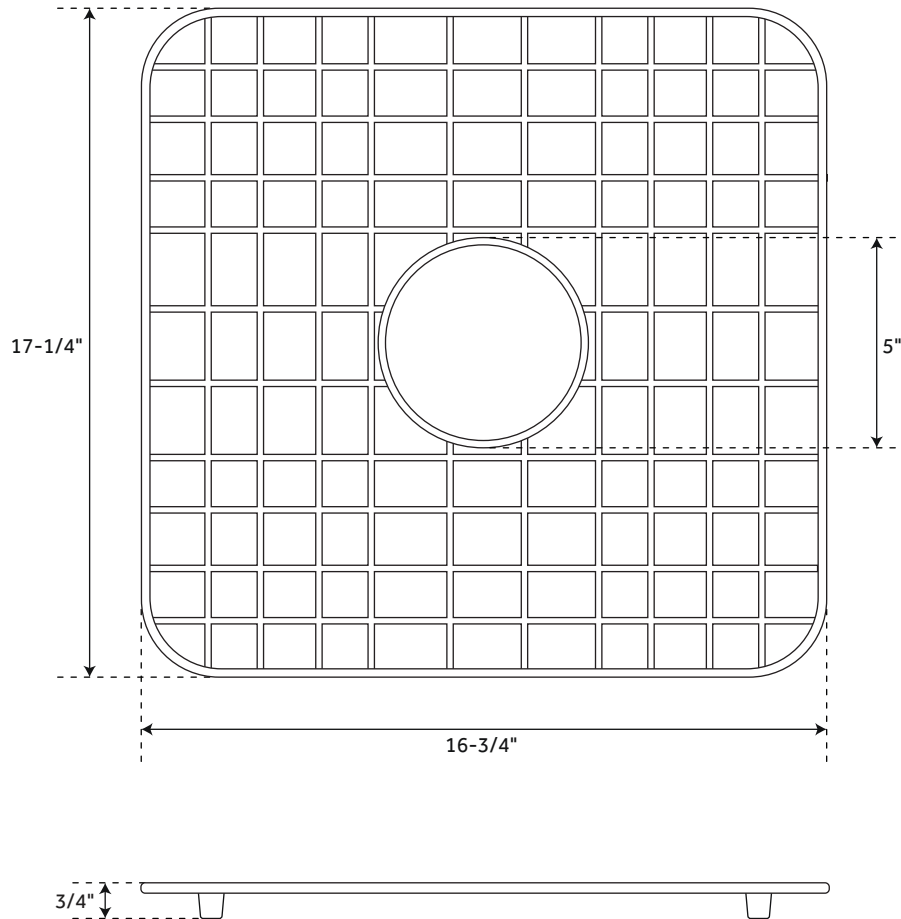
PAGE 2

CODE: SHCAURB3421

SINK GRID

FOR 34" CALVERTON DOUBLE-BOWL STAINLESS STEEL UNDERMOUNT KITCHEN SINK

SKU: 948495

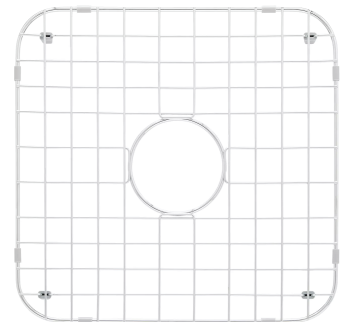


FEATURES

Material: Stainless Steel
Length: 16-3/4"
Width: 17-1/4"
Height: 3/4"
Drain Size: 5"

SIGNATURE HARDWARE LIFETIME WARRANTY

See website for warranty information



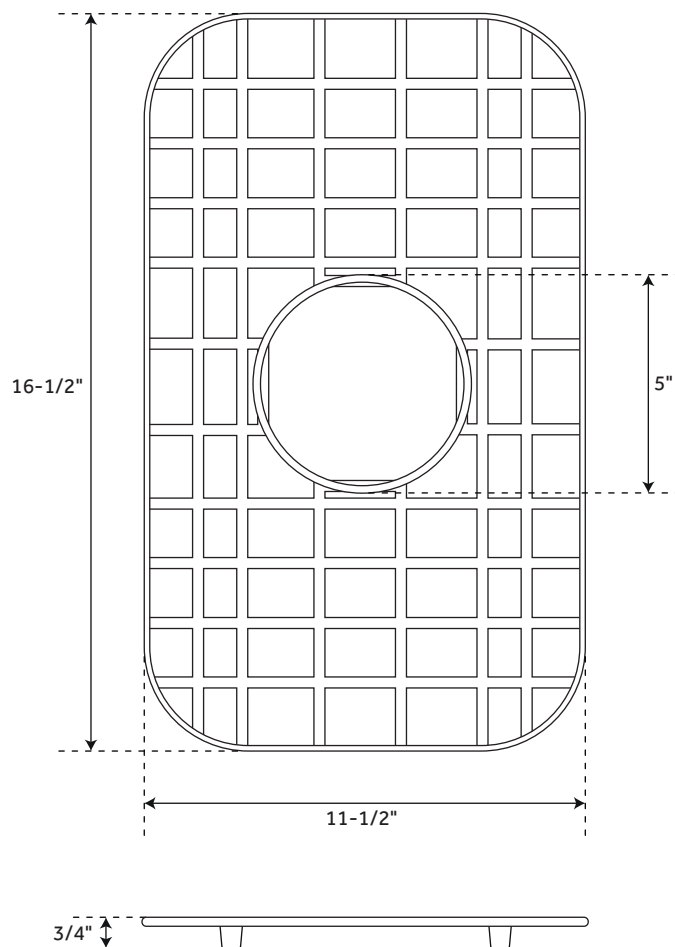
All dimensions and specifications are nominal and may vary. Use actual products for accuracy in critical situations.

PAGE 3
Code: SHG1819

SINK GRID

FOR 34" CALVERTON DOUBLE-BOWL STAINLESS STEEL UNDERMOUNT KITCHEN SINK

SKU: 948495

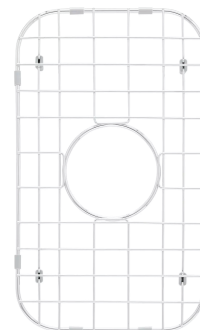


FEATURES

Material: Stainless Steel
Length: 11-1/2"
Width: 16-1/2"
Height: 3/4"
Drain Size: 5"

SIGNATURE HARDWARE LIFETIME WARRANTY

See website for warranty information



All dimensions and specifications are nominal and may vary. Use actual products for accuracy in critical situations.

PAGE 4
Code: SHG1219