

17" TOTTEN

GRANITE COMPOSITE PREP SINK - GRAY

SKU: 948449, 948450



FEATURES

Material: Granite Composite
Basin Split: Single
Shape: Square
Sink Installation: Undermount or Drop-In
Faucet Centers: No Faucet Hole
Number Of Basins: 1
Product Color: Gray
Faucet Included: No
Faucet Holes: No Faucet Hole
Drain Placement: Rear-center
Drain Included: Optional
Mounting Hardware Included: Yes
Resistant to Heat, Stains, and Scratches
It is Recommended to Have the Sink at the
Job Site Before Cutting Cabinet
or Counter Top

CONTENTS

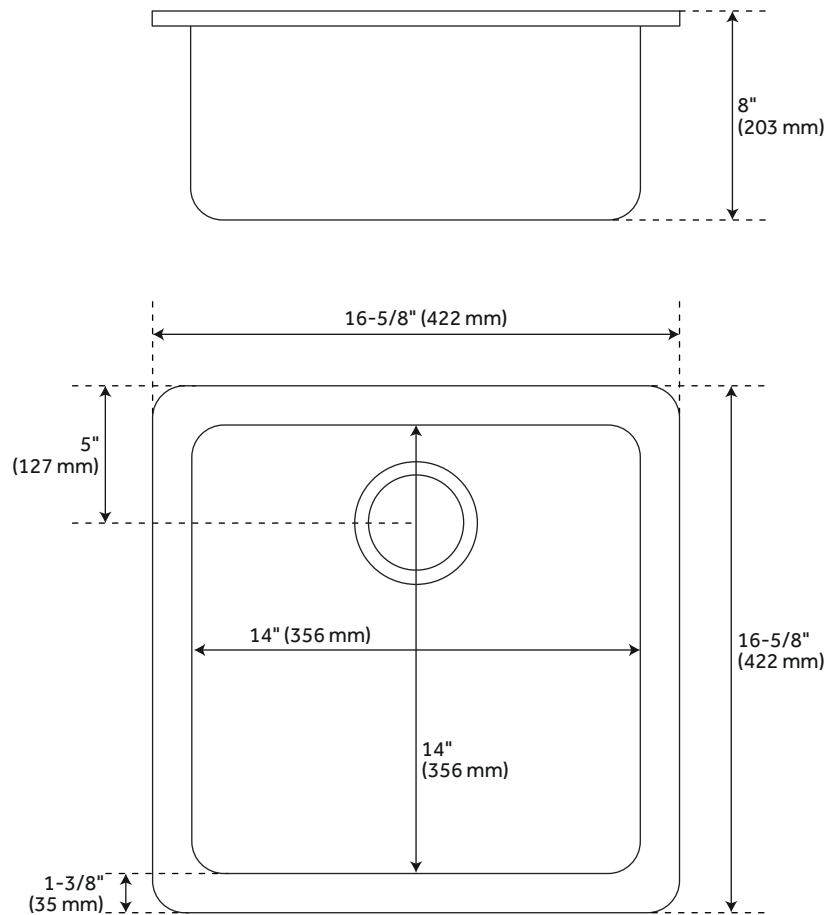
SINK PAGE 2
SINK GRID PAGE 3

REVISED 11/23/2020

17" TOTTEN

GRANITE COMPOSITE PREP SINK - GRAY

SKU: 948449, 948450



FEATURES

Length: 16-5/8"
Width: 16-5/8"
Height: 8"
Basin Length: 14"
Basin Width: 14"
Water Depth To Rim: 8"
Drain Size: 3-1/2"

CODES/STANDARDS

cUPC
CSA B45.5/IAPMO Z124
Massachusetts Accepted

PRODUCT IMAGE



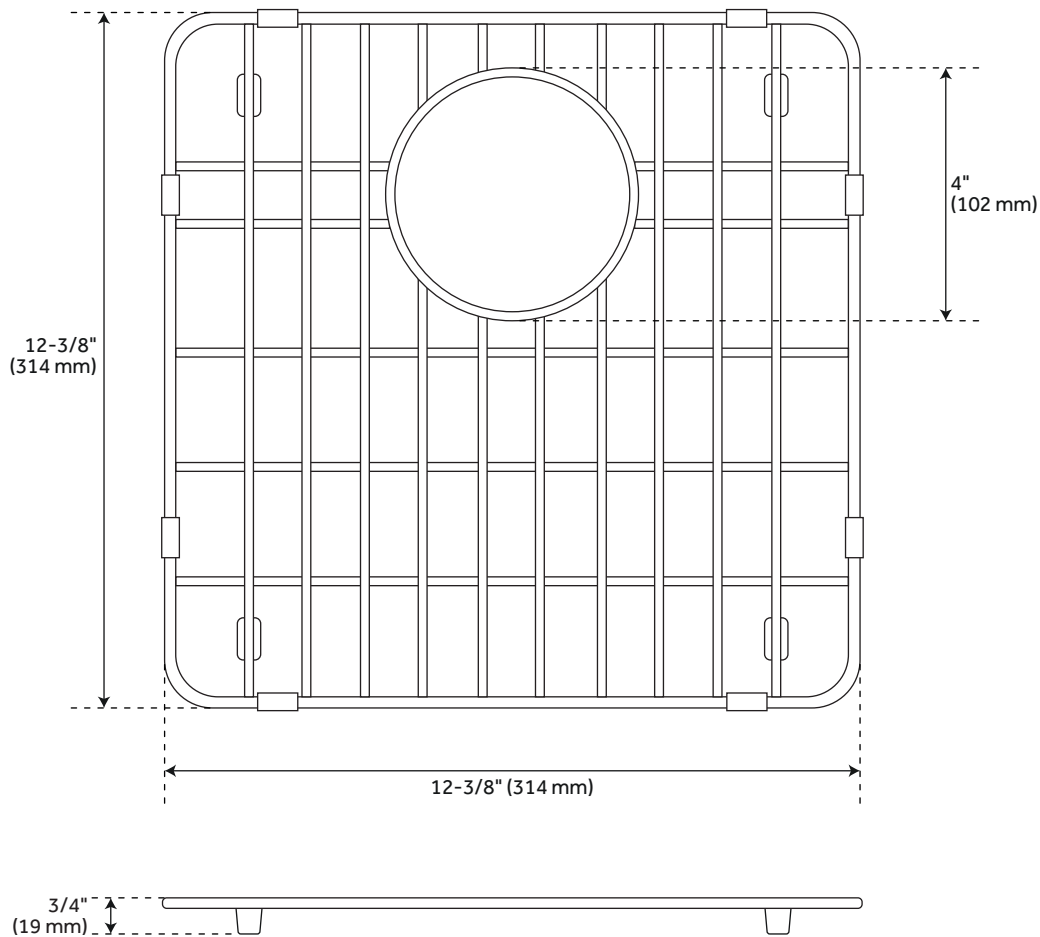
All dimensions and specifications are nominal and may vary. Use actual products for accuracy in critical situations.

PAGE 2
Code: SHGR1B1616GR

17" TOTTEN

OPTIONAL SINK GRID FOR 17" SINGLE-BOWL GRANITE COMPOSITE SINK

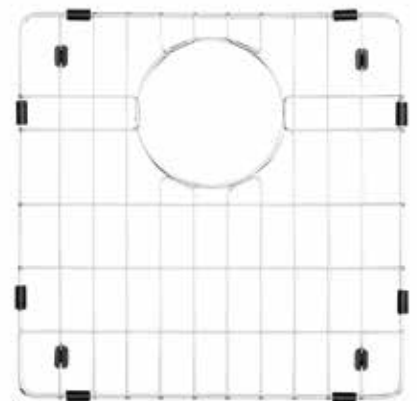
SKU: 948449, 948450



FEATURES

Material: Stainless Steel
Length: 12-3/8"
Width: 12-3/8"
Height: 3/4"
Drain Size: 4"

PRODUCT IMAGE



All dimensions and specifications are nominal and may vary. Use actual products for accuracy in critical situations.

PAGE 3
Code: HG2014