



PORCELAIN UNDERMOUNT SINK INSTALLATION

BEFORE YOU BEGIN

We recommend consulting a professional if you are unfamiliar with installing bathroom fixtures and plumbing. Signature Hardware accepts no liability for any damage to the floor, walls, plumbing, vanity cabinet, sink, counter top, or personal injury during installation.

Observe all local plumbing and building codes.

Unpack and inspect the sink for damage. If any damage is found, contact our Customer Relations team at 1-866-855-2284.

GETTING STARTED

- Ensure that you have gathered all the required materials that are needed for the installation.
- For the following instructions, it is assumed that the vanity is in place, and the countertop has not yet been installed.

TOOLS AND MATERIALS:



Silicone Sealant
(100% Neutral
Cure)



Damp Cloth



Pencil

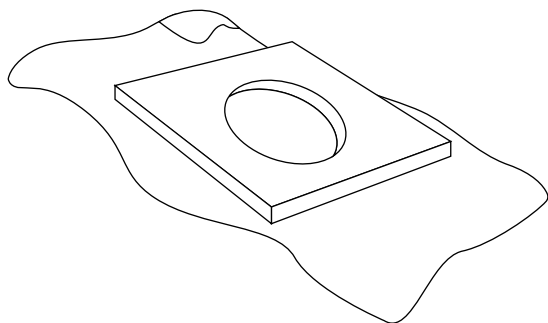


PORCELAIN UNDERMOUNT SINK INSTALLATION

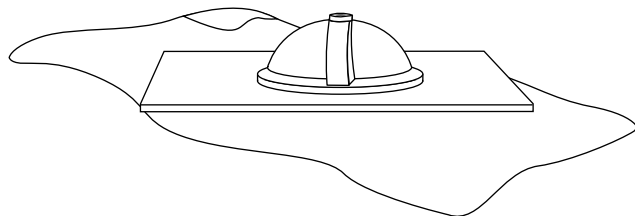
Installation

1. Carefully turn the counter top over, resting it on a soft, stable surface to prevent damage.

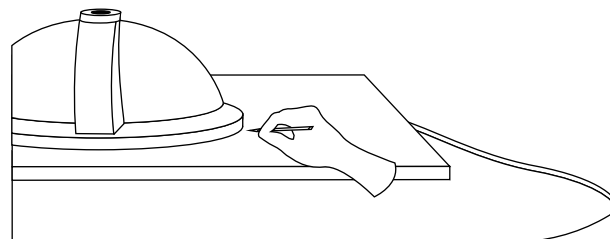
Important: The counter top is very fragile. Take caution when handling, and have someone assist if needed.



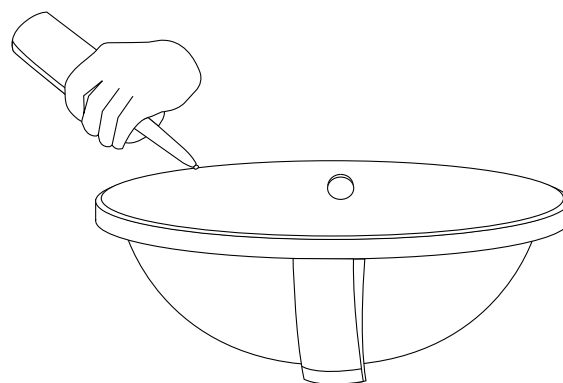
2. Position the sink over its cutout on the counter top. Make sure the sink is centered with the faucet hole and is evenly spaced between the bolt holes.



3. Use a pencil to draw an outline around the sink perimeter.



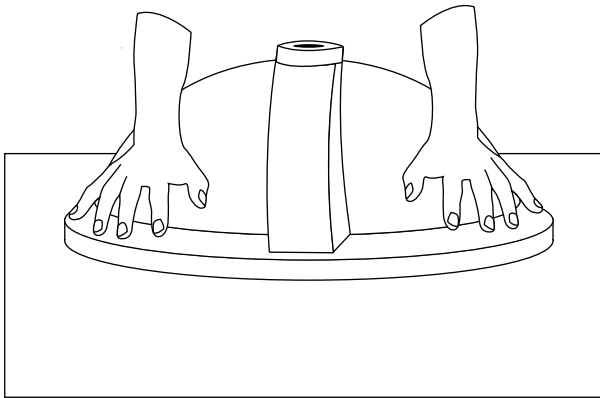
4. Remove the sink from the counter top. Apply a bead of silicone sealant around the top edge of the sink rim.



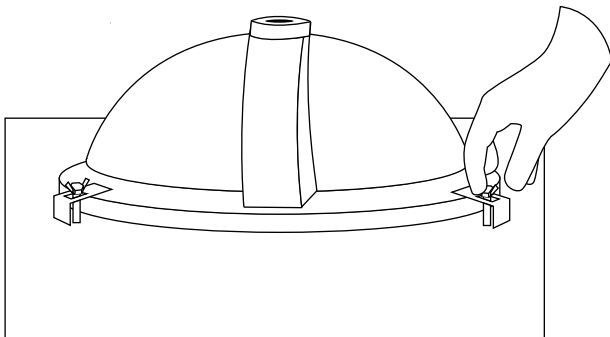


PORCELAIN UNDERMOUNT SINK INSTALLATION

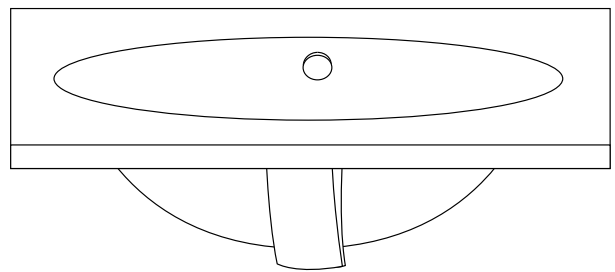
5. Carefully place the sink upside down on the counter top, positioning it within your marked outline. Once positioned, press firmly into place.



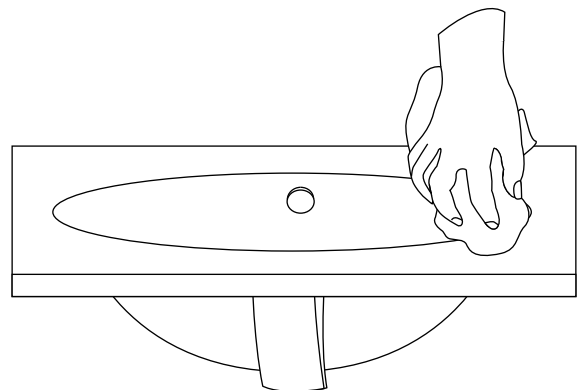
6. If sink clips were included, at each of the bolt holes in the counter top, attach the sink clips by placing the long end of the bracket flat against the sink lip. Screw the wing bolts through the brackets and bolt holes and tighten.



7. Carefully turn the counter top and sink over. If needed, reposition the sink by slightly loosening the wing bolts and adjusting.



8. Wipe away any excess sealant with a damp cloth, and proceed to installing the counter top. Allow all silicone to dry for 24 hours.





PORCELAIN UNDERMOUNT SINK INSTALLATION

Cleaning and Maintenance

We recommend cleaning enameled products with soap and water after each use and wiping dry with a soft cloth. Porcelain is generally moisture resistant, but keeping it dry whenever possible is recommended. Do not use any abrasive scrubs or sponges to clean your porcelain sink, which can scratch or dull the surface.