



BARLOW DECK MOUNT TUB FAUCET

BEFORE YOU BEGIN

We recommend consulting a professional if you are unfamiliar with installing plumbing fixtures. Signature Hardware accepts no liability for any damage to the faucet, plumbing, bathtub, floor, or for personal injury during installation.

Observe all local plumbing and building codes.

Unpack and inspect the faucet for shipping damage. If any damage is found, contact our Customer Relations team at 1-866-855-2284.

GETTING STARTED

- Ensure that you have gathered all the required materials that are needed for the installation.
- For these instructions, it is assumed that the old faucet has been completely removed and any necessary repairs or modifications to the water supply have been completed.

TOOLS AND MATERIALS:



Plumbers
Tape



Thread
Sealant



Phillips
Screwdriver



Adjustable
Wrench



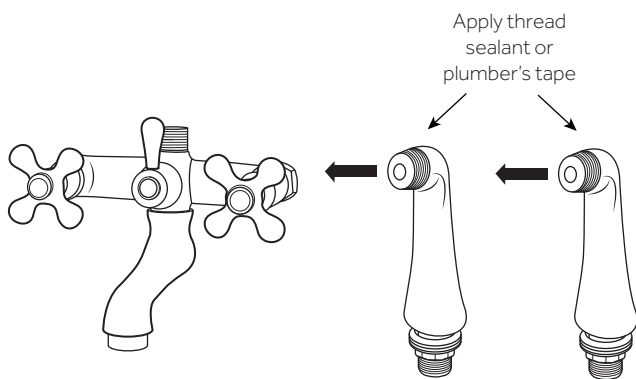
Basin Wrench



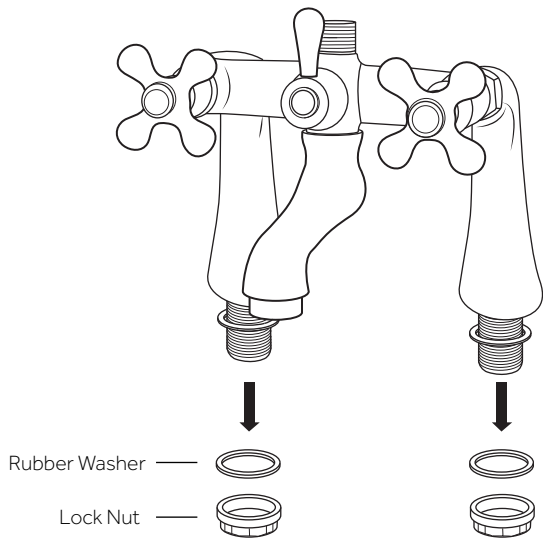
BARLOW DECK MOUNT TUB FAUCET

INSTALLATION

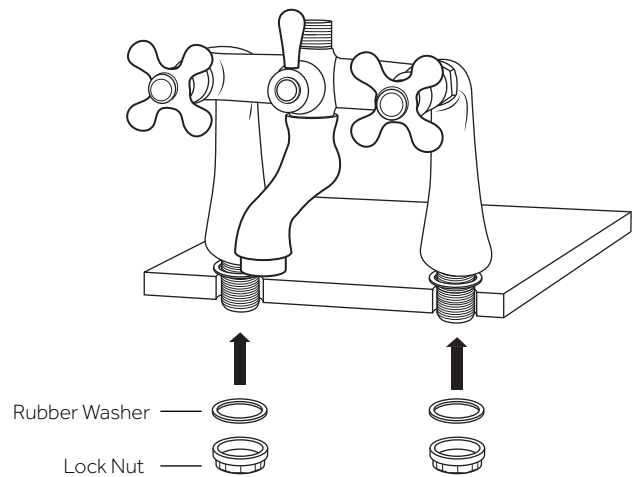
1. Attach each of the deck mount couplers to the inlets located on the back of the faucet body, as shown. Apply plumber's tape or thread sealant to the threads before tightening. Hand tighten, do not yet tighten firmly.



2. Remove the lock nuts and one rubber gasket from each of the deck mount couplers. Insert the faucet into its prepared mounting holes.

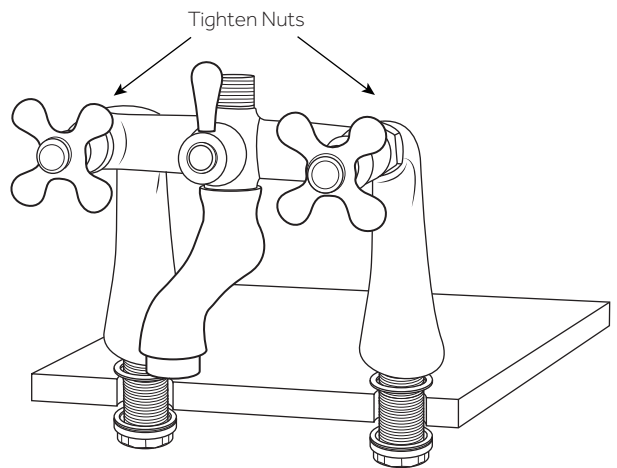


3. From below, slide the rubber washers back onto the couplers and tighten the lock nuts to secure the faucet to the deck. Tighten firmly using an adjustable wrench or basin wrench.



4. From above, tighten the nuts connecting the couplers to the faucet body. Use an adjustable wrench and tighten firmly.

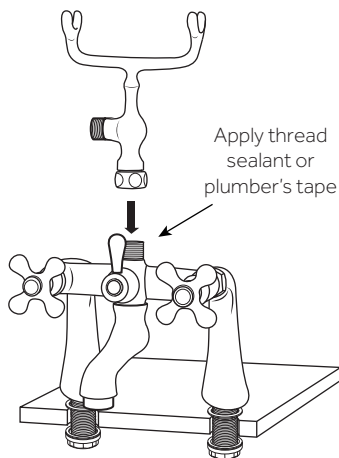
Tip: Wrap the nuts with a soft cloth before using an adjustable wrench to tighten, to avoid scratching the decorative finish.



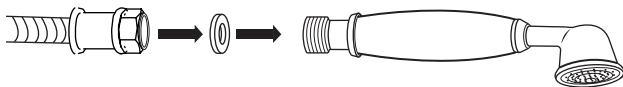


BARLOW DECK MOUNT TUB FAUCET

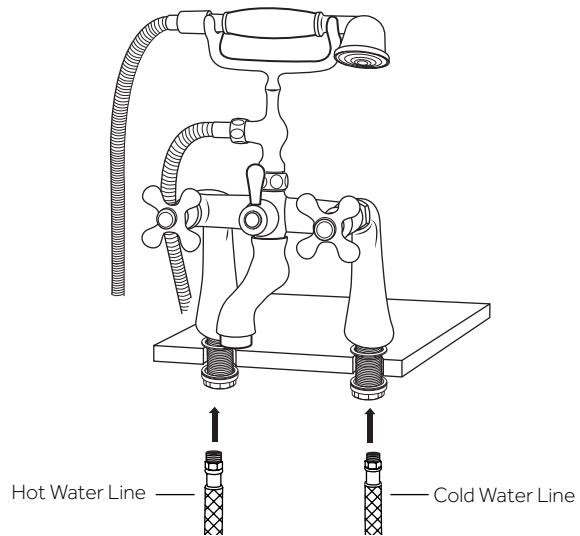
5. Attach the hand shower cradle to the outlet located on the top of the faucet body, as shown. Apply plumber's tape or thread sealant to the threads before tightening. Tighten firmly using an adjustable wrench.



6. Use the flexible hose to connect the hand shower to the outlet located on the hand shower cradle, as shown. Insert one of the provided rubber washers into each end of the hose before attaching. Tighten firmly.



7. To complete the installation, connect the water supply lines (not included) to the faucet's inlets.



8. Once installation is complete, remove the aerator from the spout and turn the faucet on for approximately 60 seconds to check for any leaks. Ensure that hot and cold water are running appropriately. Divert water flow to the hand shower for testing as well. Reattach the aerator.

