

SEBASTIAN FREESTANDING TUB FAUCET AND SUPPLIES - LEVER HANDLES

SKU: 913704

Code: SH286365, SH286366, SH286367, SH286368, SH286369, SH286370



FEATURES

Installation Type: Freestanding
Features: Gooseneck;Hand Shower Included
Design: Modern
Material: Metal
Width: 13-1/4"
Assembly Required: Yes
Faucet Centers: 7"
Drain Included: No
Handle Type: Lever
Hand Shower Hose Length: 60"
Hand Shower Style: Modern
Water Supplies Included: Yes
Diverter Included: Yes
Spout Reach: 11-3/8"
Ceramic Disc Cartridges: Yes
Hot and Cold Indicators: No
Handle Material: Metal
Tub Faucet Material: Metal

REVISED 3/5/2024

SEBASTIAN FREESTANDING TUB FAUCET AND SUPPLIES - LEVER HANDLES

SKU: 913704

Code: SH286365, SH286366, SH286367, SH286368, SH286369, SH286370

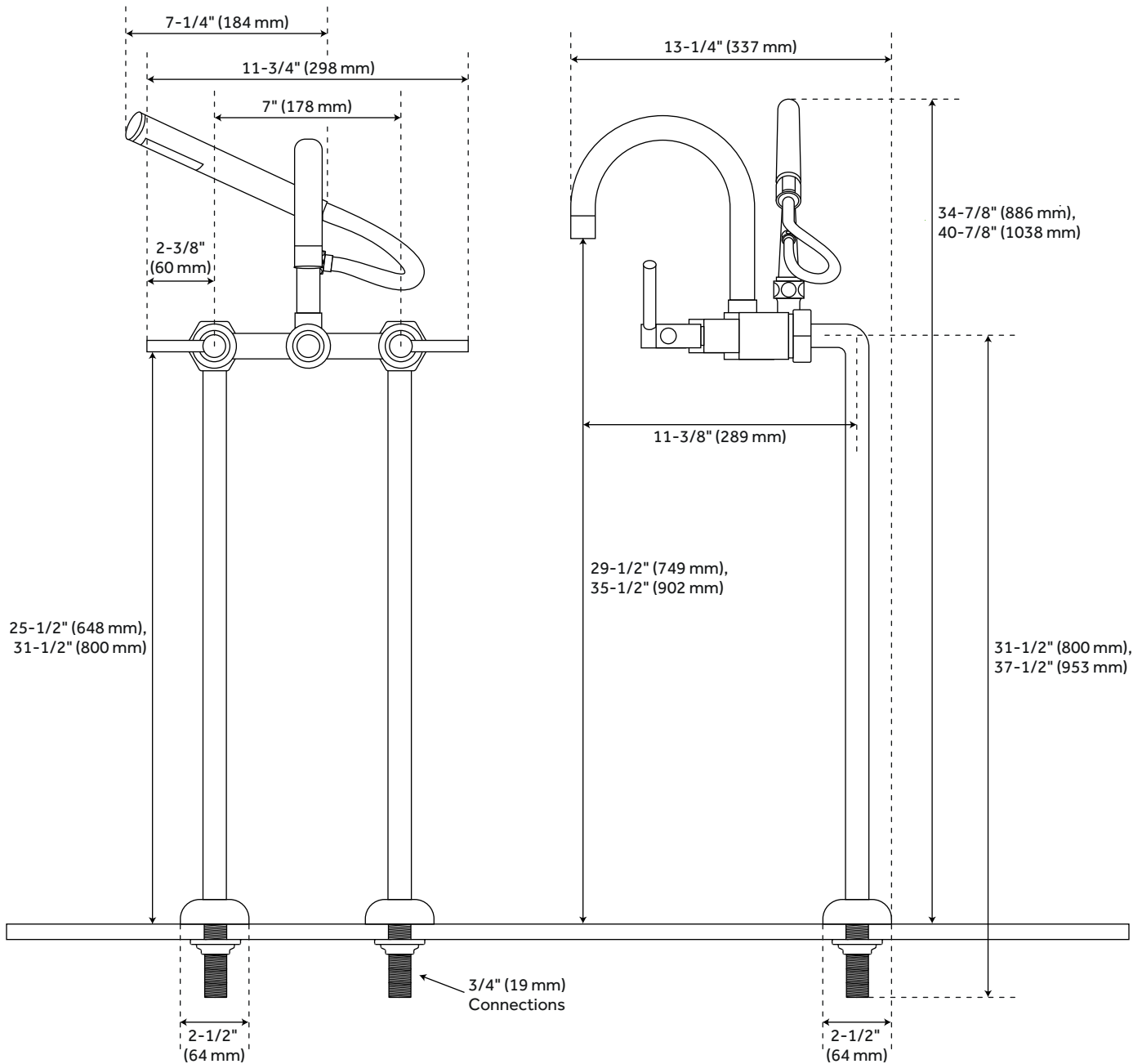


ADDITIONAL FEATURES

- Constructed with high quality materials.
- Freestanding design requires only under-floor supports.
- 4" of total height is below floor.
- Heavy-duty, 3/4" ID/1" OD brass pipe.
- Overall faucet dimensions: 11-3/4" W x 9-1/2" D x 9" H.
- Faucet has metal lever handles, diverter and 7-1/4" hand shower.
- Quarter-turn ceramic disc cartridges.
- Exclusive to Signature Hardware.
- Set does not include shut-off valves.
- Underfloor access is required for proper installation. Installation on a concrete slab will require cutting and concrete removal.

REVISED 3/5/2024

SEBASTIAN FREESTANDING TUB FAUCET AND SUPPLIES - LEVER HANDLES



All dimensions and specifications are nominal and may vary. Use actual products for accuracy in critical situations.