



COOPER BATHROOM SHELF INSTALLATION

BEFORE INSTALLING

We recommend consulting a professional if you are unfamiliar with installing this type of product. Signature Hardware accepts no liability for any damage to the home, product, or for personal injury during installation.

Unpack and inspect the product for any shipping damages. If you find damages, do not install. Contact Customer Relations at 1.855.715.1800.

Observe all local plumbing and building codes.

TOOLS AND MATERIALS:



Drill



Phillips Screwdriver



Hex Wrench



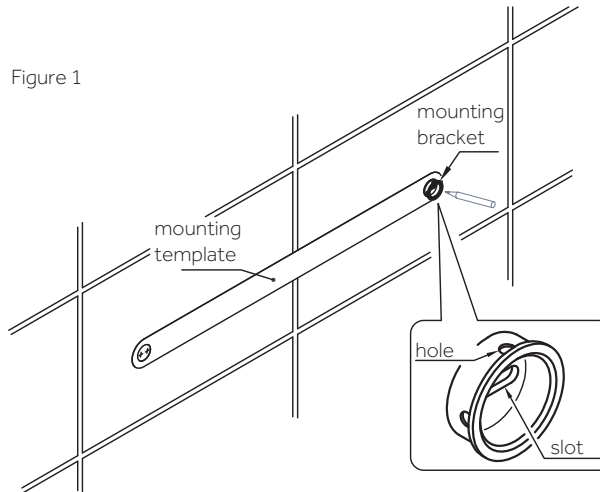
Drill Bit



Level

INSTALLATION

Figure 1

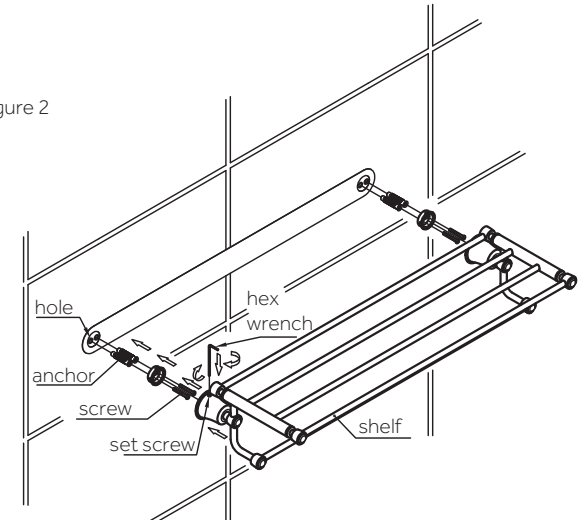


1. Position the mounting template on the wall at the desired installation location (Figure 1). Hold the mounting brackets in their location at each end of the template, and mark the location of the mounting holes. Make two marks in each slot, as each mounting bracket will require two screws. Ensure that the mounting template is level before making marks.

2. Set all hardware aside. Drill a pilot hole into the wall at each marked mounting hole location.

Important: If drilling through tile, you must use a masonry drill bit to avoid cracking the tile.

Figure 2



3. Insert anchors into the drilled holes. Fasten the mounting brackets to the wall, as shown, using the provided screws (Figure 2).

4. Install the shelf onto the installed mounting brackets. Fasten the shelf by tightening the set screw on each end, as shown (Figure 2).