

TOE TAP TUB DRAIN

SKU: 953950

Code: SH485444, SH485445, SH346239, SH346240, SH485676

FEATURES

Material: Metal

Length: 2-3/4"

Height: 2-1/2"

Fits Drain Hole Size: 1-1/2"



ASME A112.18.2/CSA B125.2

Massachusetts Accepted

LISTED ID: SH439074**



REVISED 2/12/2024

TOE TAP TUB DRAIN

SKU: 953950

Code: SH485444, SH485445, SH346239, SH346240, SH485676

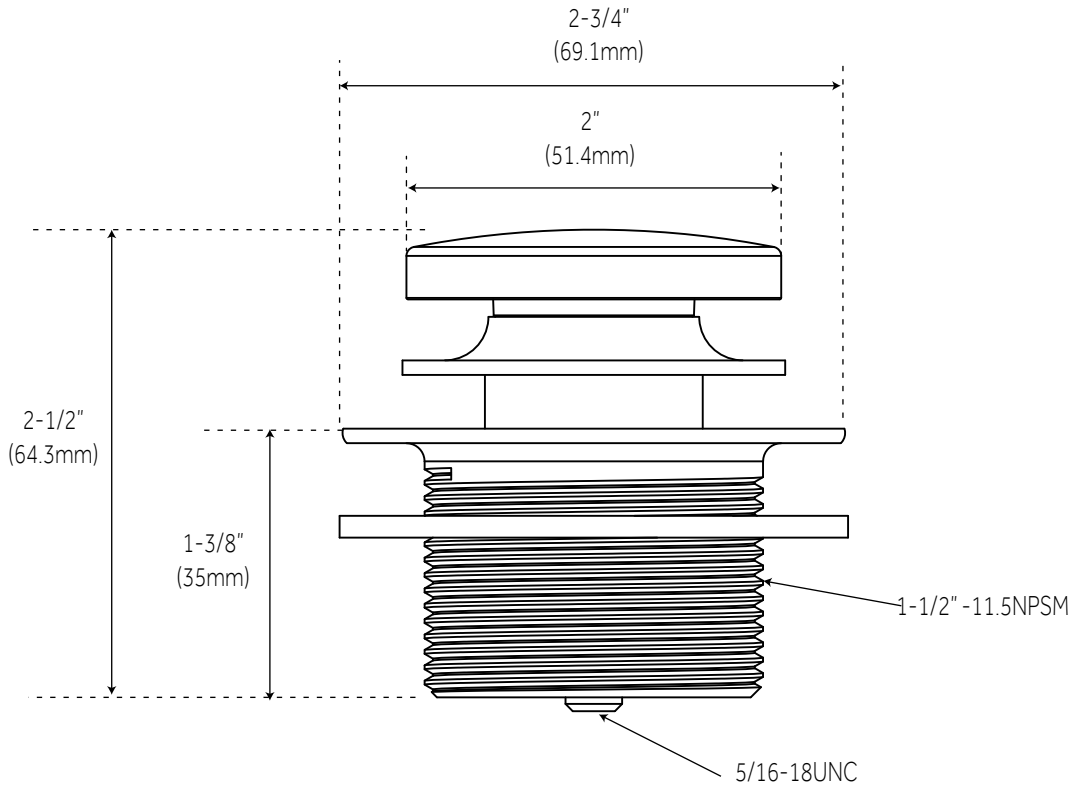


ADDITIONAL FEATURES

- Zinc drain body, with plastic stem and brass cover plate.
- Fits 1-1/2" NPSM bathtub waste drain joint.
- 5/16" - 18UNC stopper thread.
- Product has rubber seal washers.
- Easy open and close just by pressing the stopper.
- Meets ADA requirement's for a bath tub drain.
- Does not require under floor access for installation.

REVISED 2/12/2024

TOE TOEJÁWÓ DRAIN



All dimensions and specifications are nominal and may vary. Use actual products for accuracy in critical situations.