

59" ARRINGTON ACRYLIC FREESTANDING TUB

SKU: 930341-59

Code: SH480864, SH441848



FEATURES

Features: Integral Drain & Overflow
Design: Modern
Product Finish: White
Length: 59"
Width: 31-1/2"
Height: 23-1/2"
Water Depth To Overflow: 18-3/4"
Exterior Treatment: Smooth
Interior Treatment: Smooth
Faucet Included: No
Shape: Specialty
Tub Overflow: No
Integral Drain & Overflow: Yes
Tub Material: Acrylic
Tub Interior Length: 37-3/4"
Tub Interior Width: 19"
Tap Deck: No
Faucet Drillings: No Drillings
Built-In Adjusters: Yes
Tub Weight Uncrated (lbs): 130
Tub Weight Crated (lbs): 240

IAPMO
CSA B45.5/IAPMO Z124



REVISED 1/26/2023

59" ARRINGTON ACRYLIC FREESTANDING TUB

SKU: 930341-59

Code: SH480864, SH441848



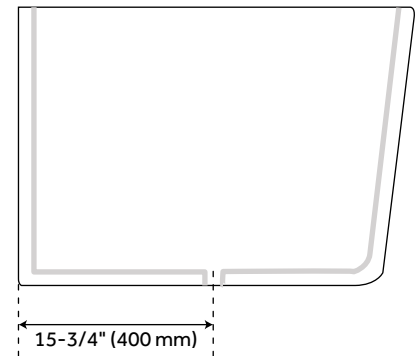
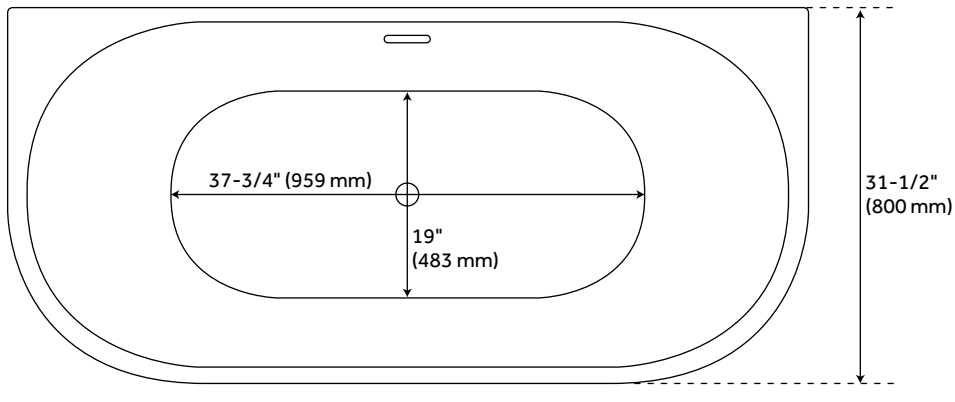
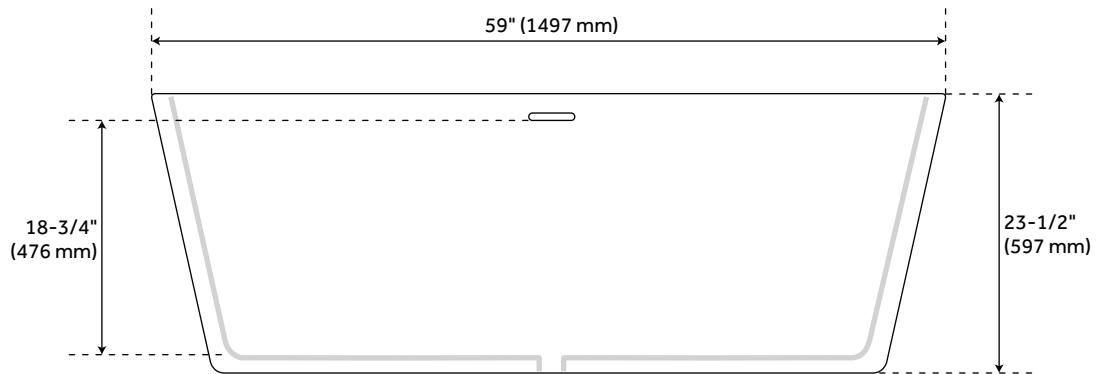
ADDITIONAL FEATURES

- All dimensions are ($\pm 1/2$ ").
- Formed of two acrylic sheets, the air between acting as thermal insulator.
- Insulation option: increases heat retention and prevents condensation due to water and air temperature fluctuations.
- Optional Quick Connect Drop-In Drain Kit Includes:
 - Floor Plate, 1-1/2" PVC Pipe, 2" x 1-1/2" Trap Adapters, 1 Brass Threaded, 1 Brass Unthreaded Tailpiece and Plug.
 - Installs above your subfloor, but underneath your cement floor or tile, so you do not need access below the fixture.

REVISED 1/26/2023

59" ARRINGTON ACRYLIC FREESTANDING TUB

SKU: 930341-59



All dimensions and specifications are nominal and may vary. Use actual products for accuracy in critical situations.