

RYLE THERMOSTATIC SHOWER SYSTEM WITH HAND SHOWER AND 3 BODY SPRAYS

SKU: 934430

Code: SH421820, SH421821, SH421822



ASME A112.18.1/CSA B125.1

FEATURES

Installation Type: Wall Mount
Features: Hand Shower Included;Thermostatic
Design: Modern
Material: Brass
Base Plate Height: 10-7/8"
Assembly Required: Yes
Shape: Square
Handle Type: Knob
Installation Type: Wall Mount
Base Plate Width: 5-1/8"
Body Spray Flow Rate: 1.81 gpm
Shower Head Installation Type: Wall
Shower Head Material: Brass
Shower Head Spray: Rainfall
Shower Head Length: 7-7/8"
Shower Head Width: 7-7/8"
Shower Arm Included: Yes
Shower Arm Extension: 15-3/4"
Shower Arm Height: 4-1/4"
Shower Head IPS: 1/2"
Shower Head Swivel: Yes
Valve Trim Width: 10-7/8"
Valve Trim Height: 5-1/8"
Hand Shower Hose Length: 59"
Hand Shower Flow Rate: 1.81 gpm
Water Connection Included: Yes
Diverter Included: Yes
Shower Head Flow Rate: 1.78 gpm

REVISED 3/29/2023

RYLE THERMOSTATIC SHOWER SYSTEM WITH HAND SHOWER AND 3 BODY SPRAYS

SKU: 934430

Code: SH421820, SH421821, SH421822



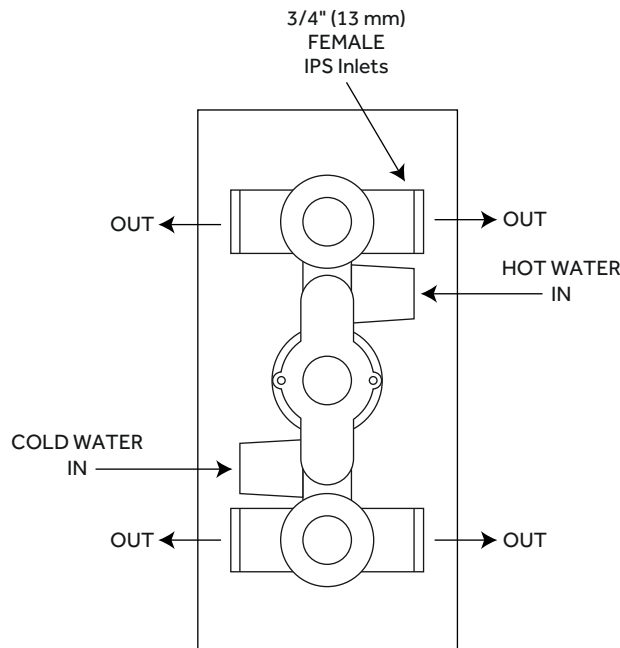
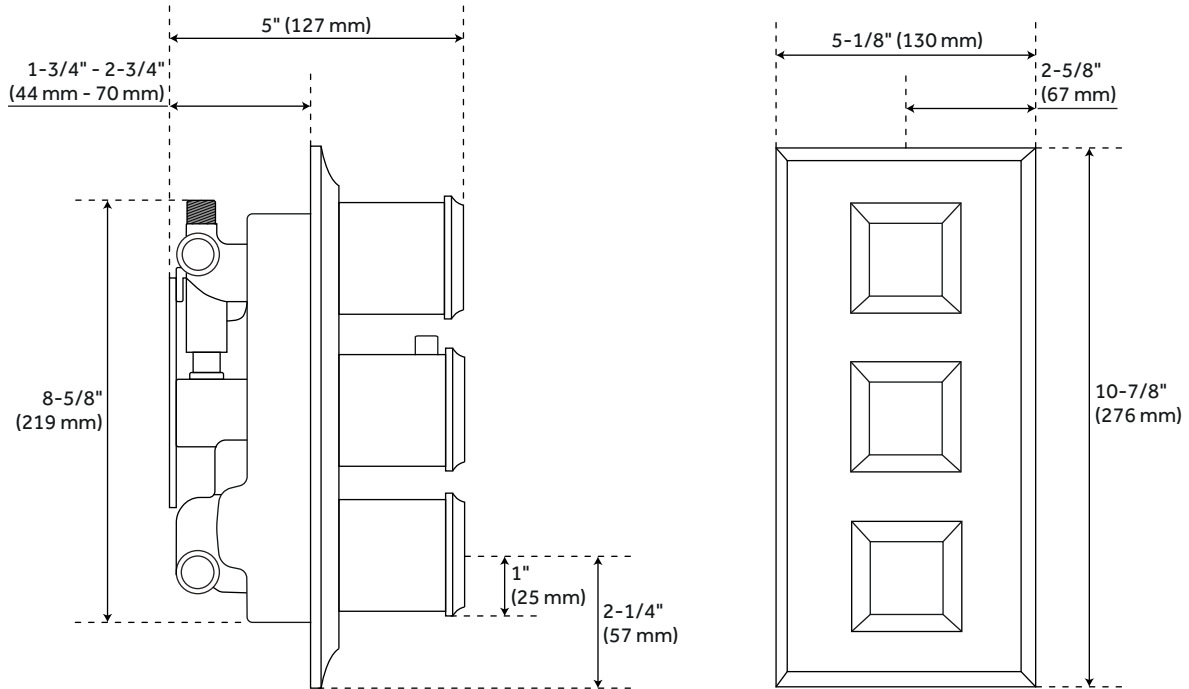
ADDITIONAL FEATURES

[[[u_list|Shower system includes wall mount rainfall shower head, wall mounted hand shower with bracket and water connection, 3 body sprays, and a thermostatic 3-way in-wall diverter. |3-way diverter features 3/4" IPS inlets and controls water flow between 3 shower outlets. |Thermostatic technology keeps shower temperature

REVISED 3/29/2023

RYLE THERMOSTATIC 4-WAY IN-WALL SHOWER DIVERTER

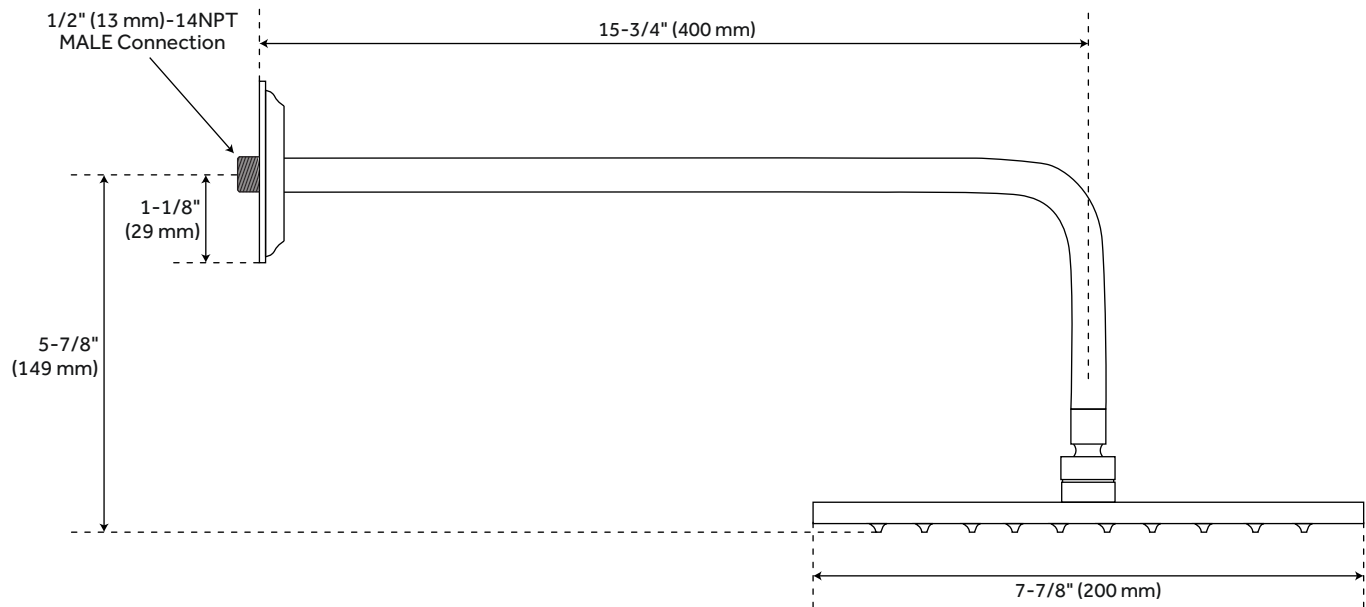
SKU: 934430



All dimensions and specifications are nominal and may vary. Use actual products for accuracy in critical situations.

RYLE WALL-MOUNT RAINFALL SHOWER HEAD

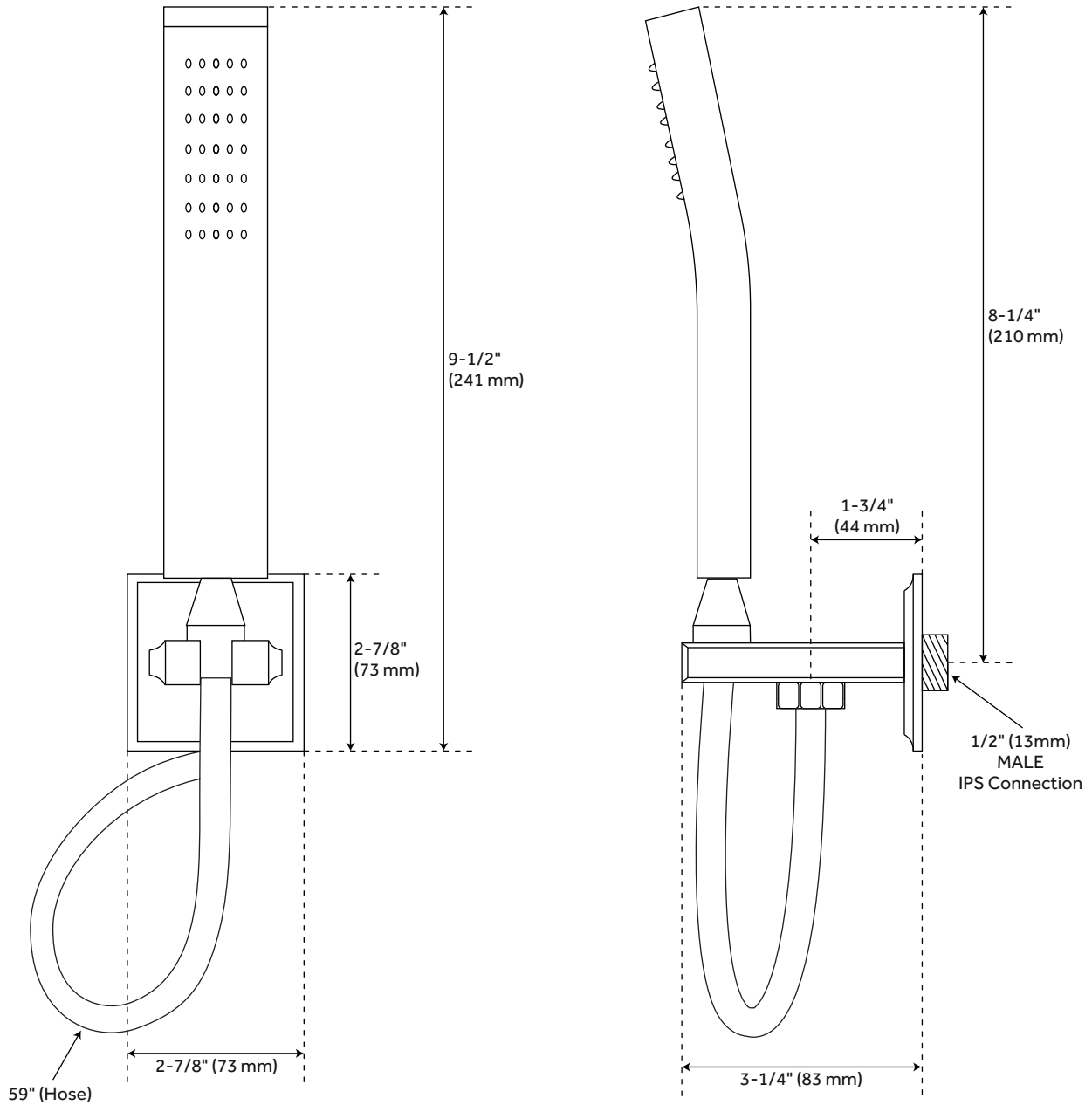
SKU: 934430



All dimensions and specifications are nominal and may vary. Use actual products for accuracy in critical situations.

RYLE HAND SHOWER

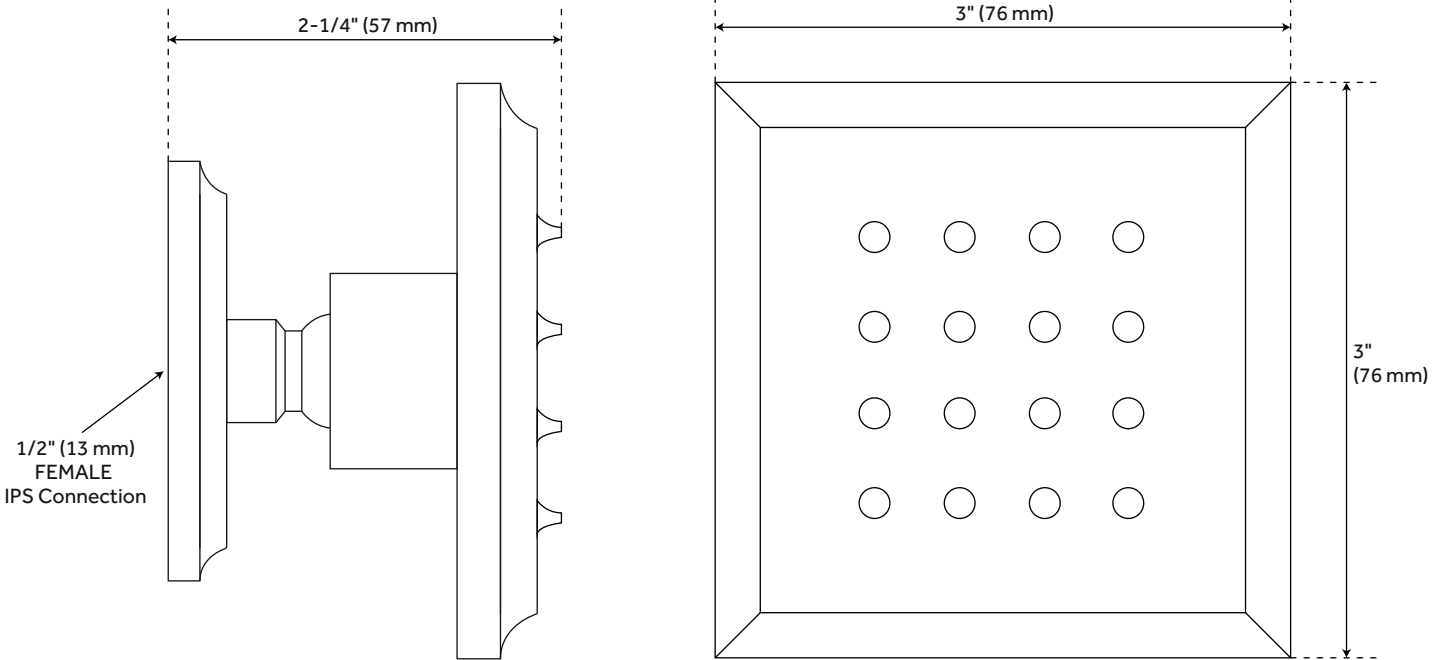
SKU: 934430



All dimensions and specifications are nominal and may vary. Use actual products for accuracy in critical situations.

RYLE BODY SPRAY

SKU: 934430



All dimensions and specifications are nominal and may vary. Use actual products for accuracy in critical situations.