



FREESTANDING TUB FAUCET WITH SHUTOFF VALVE

BEFORE YOU BEGIN

Your application and circumstances may call for variations to the installation instructions. We recommend consulting a professional if you are unfamiliar with installing plumbing fixtures. Signature Hardware accepts no liability for any damage to the faucet, floor, walls, plumbing, or for personal injury during installation.

Installation on a concrete slab is not recommended.

Observe all local plumbing and building codes.

Unpack and inspect the faucet for shipping damage. If any damage is found, contact our Customer Relations team at 1-855-715-1800.

GETTING STARTED

- Ensure that you have gathered all the required materials that are needed for the installation.
- Ensure that the main water supply is turned off.

TOOLS AND MATERIALS:



Plumber's
Tape



Thread
Sealant



Neutral Cure
Silicone Sealant



Adjustable
Wrench



Level



Tape Measure



Damp Cloth



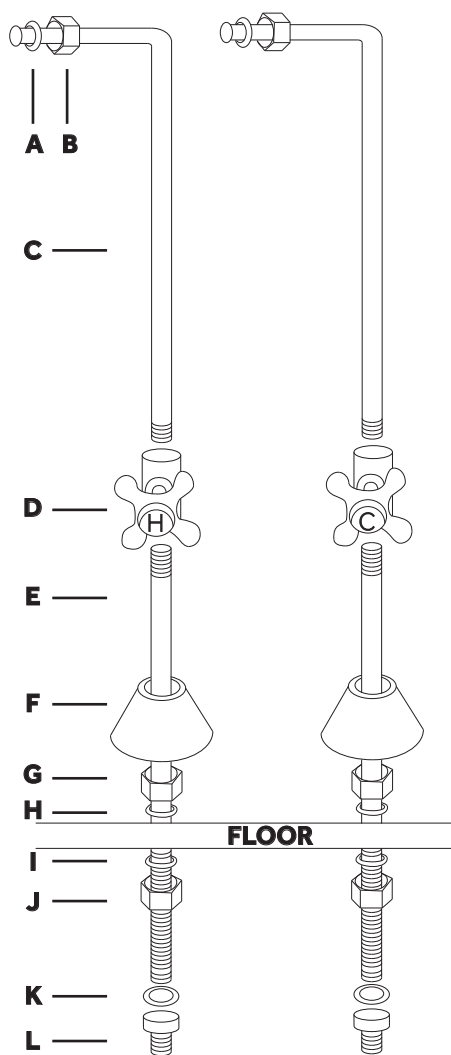
Lug Ell
(x2)

Revised 01/29/2020



FREESTANDING TUB FAUCET WITH SHUTOFF VALVE

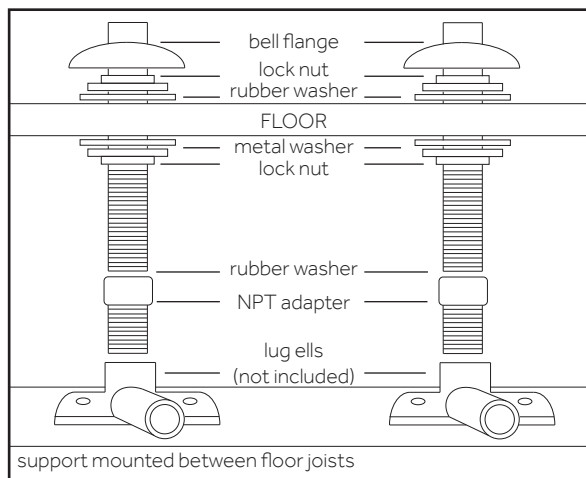
INSTALLATION



- A.** Rubber Washer (2)
- B.** Slip Nut (2)
- C.** Upper Riser Pipe (2)
- D.** Straight Stop Valve (2)
- E.** Lower Riser Pipe (2)
- F.** Bell Flange (2)
- G.** Lock Nut (2)
- H.** Rubber Washer (2)
- I.** Metal Washer (2)
- J.** Lock Nut (2)
- K.** Rubber Washer (2)
- L.** NPT Adapter (2)

1. Thread each of the bell flanges (**F**), one lock nut (**G**), and one rubber washer (**H**) onto the bottom of each lower riser pipe (**E**). Apply thread sealant to the end threads of the bottom ends of the lower rise pipes. Insert the lower riser pipes into the prepared installation holes in the finished floor.

2. Thread one metal washer (**I**), and one lock nut (**J**) onto each of the lower riser pipes from the under-floor access space. Connect the lower riser pipes to the main water supply using the rubber washers (**K**) and NPT adapters (**L**).



3. Above the floor, apply Loctite thread sealant 565 (included) pipes' top threads, and connect the bottom of the straight stop valves (**D**).

4. Slide the washers (**A**) and slip nuts (**B**) onto the upper riser pipes (**C**) and move them to the top.

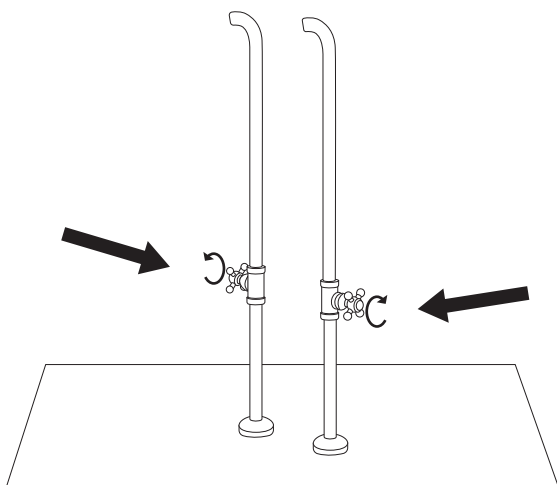
5. Apply Loctite thread sealant 565 (included) to the threads on the bottom of the upper riser pipes and thread them into the top of the straight stop valves.

6. Insert the two remaining rubber washers (**A**) into the slip nuts at the top of the upper risers.



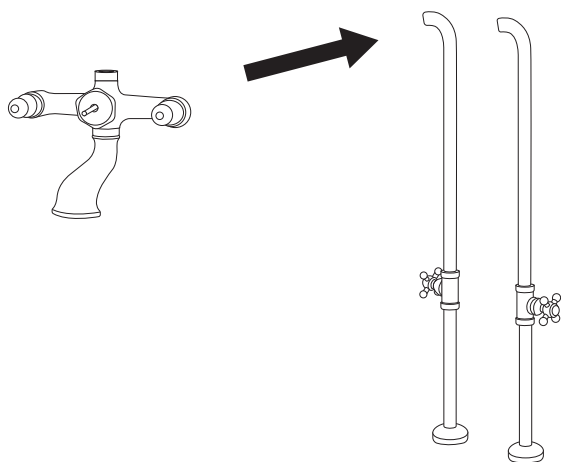
FREESTANDING TUB FAUCET WITH SHUTOFF VALVE

7. Close the straight stop valves and briefly turn on the main water supply to check for leaks. If leakage occurs, tighten the connections with an adjustable wrench as necessary.

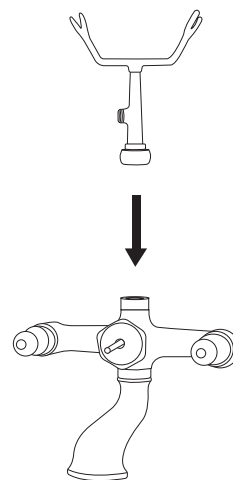


8. Apply thread sealant to the inlets on the back of the faucet body. Attach the faucet to the upper riser pipes and tighten the slip nuts to secure.

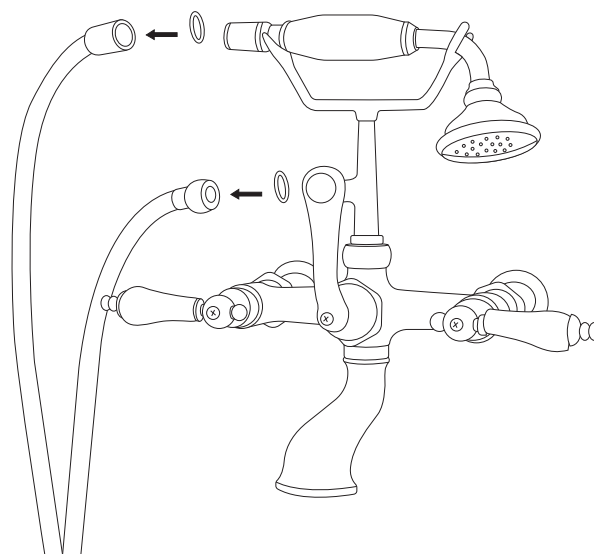
Tip: Wrap the slip nuts with a soft cloth while tightening, to avoid scratching the plated finish.



9. Attach the hand shower cradle to the faucet body by threading it into the top of the faucet. Apply plumber's tape or thread sealant to the thread before attaching. Tighten firmly.



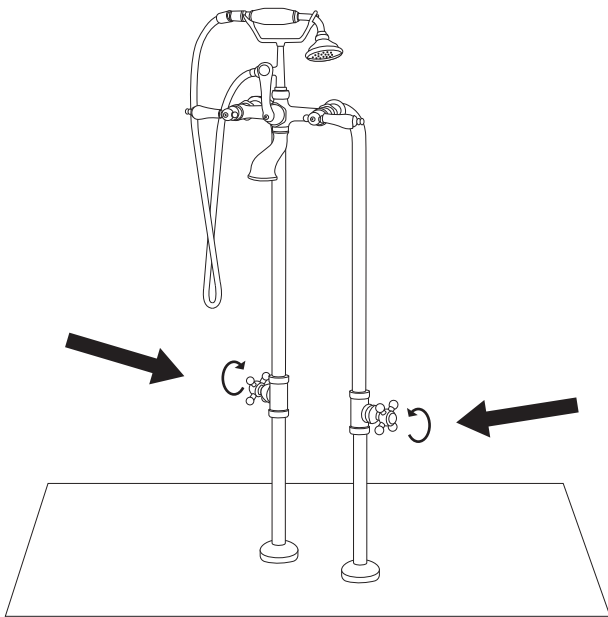
10. Attach the hand shower to the faucet by using the provided flexible hose. Connect the hose to the outlet located on the cradle. Place the hand-held shower in the cradle.





FREESTANDING TUB FAUCET WITH SHUTOFF VALVE

11. Turn on the main water supply and open the straight stop valves.



12. Turn the faucet on and allow the water to run through the spout for approximately 60 seconds. Divert the water to the hand shower and allow the water to flow for another 60 seconds. Check to make sure that all connections are tight, and there are no leaks.

