

# INSTALLATION AND SAFETY INSTRUCTIONS

## IMPORTANT SAFETY INSTRUCTIONS

- Be sure the electricity to the system you are working on is turned off; either the fuse removed or the circuit breaker set at off.
- Bulb gets hot quickly! Turn off and allow to cool to replace bulb.
- Do not remain in light if skin feels warm.
- Do not look directly at lighted bulb.
- Always handle MR16 lamps by the back of the rim. Never place bare fingers inside reflector area.
- Use MR16 type lamp 50W max for all trims except trim 1240.
- For trim 1240 use MRC16 type 50W max lamp with integral glass lens.
- Dimming halogen lamps greatly reduces lamp life.
- Use of other manufacturers components will void warranty, listing and create a potential safety hazard.
- If you are unclear as to how to proceed, contact a qualified electrician.
- You don't need special tools to install this fixture.
- Be sure to follow the steps in the order given.
- Read instructions carefully.
- Save these instructions.

## ASSEMBLY FOR TRIM 1226, 1232, 1236 AND 1239 (FIG. 1)

1. Insert glass lens (A) into fitter (B).
2. Secure glass lens (A) in place with lamp (not included), by sliding lamp inside spring clip.

## ASSEMBLY FOR TRIM 1241 (FIGURE 2)

1. Gently pull fitter (B) from trim assembly (C).
2. Remove spring ring (F) from fitter (B).
3. Insert glass lens (A) and lamp (not included) into fitter (B).
4. Secure glass lens and lamp in place with spring ring (F).
5. Insert fitter (B) through diffuser ring (G) and into trim assembly (C).

## ASSEMBLY FOR TRIM 1240, 1226AT, 1232AT, 1236AT, 1237AT, 1238AT, 1239AT, 12040AT, 12041AT, 1242AT (FIGURES 3, 4, AND 5)

1. Twist diffuser (D) until it unlocks.
2. Remove diffuser (D) from trim assembly (C).
3. Insert lamp with integral glass lens (not included) into socket.
4. Insert diffuser (D) into trim assembly (C) and secure in place by twist locking it.
5. Cut the molar clip from the smaller socket assembly (if applicable). Cut the circular reflector socket from the base of the socket coming from the recessed housing (FIG. 4).
6. Strip the wires 1/4".
7. Run the wires from the recessed housing to ceramic terminal block (FIG. 5). Run the wires from the smaller socket assembly to the other end of the ceramic terminal block. Tighten terminal block screws.

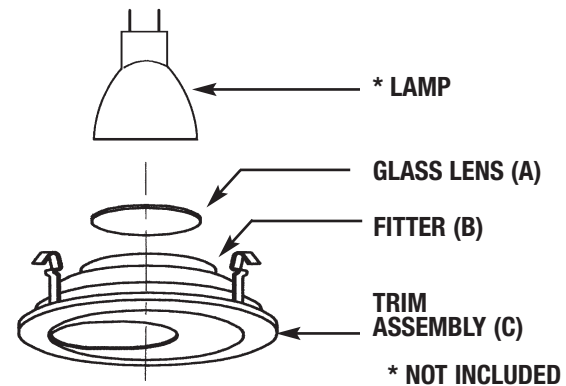


FIGURE 1

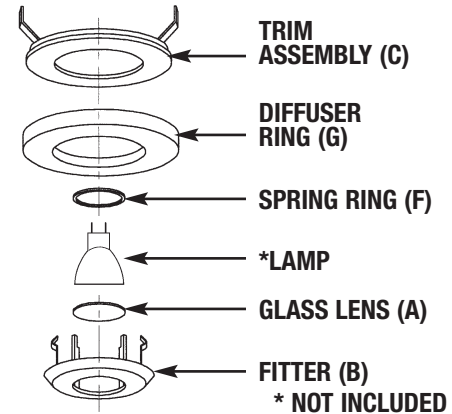


FIGURE 2

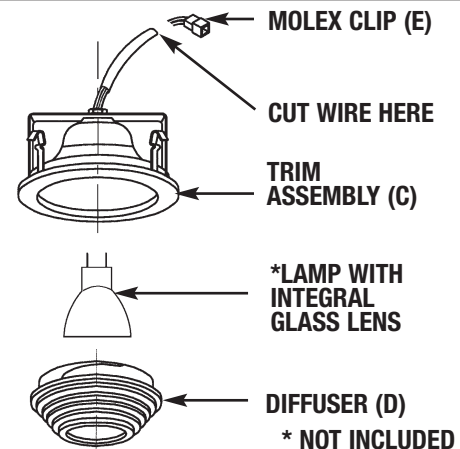


FIGURE 3



sea gull lighting®

## Installation And Safety Instruction

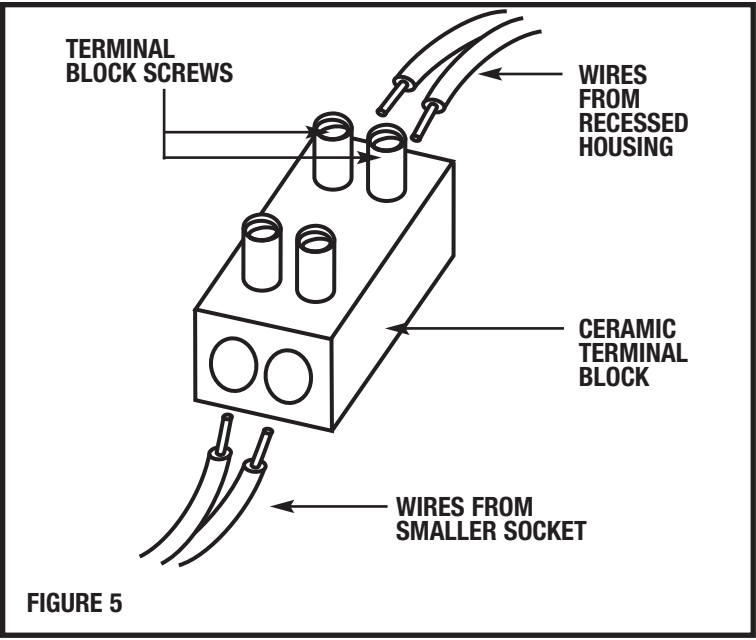
# HC-278 032508

Line art shown may not exactly match the fixture enclosed. However, the installation instructions do apply to this fixture.

Fill In Item Number On Carton And File This Sheet For Fixture Reference. ITEM# \_\_\_\_\_

**ASSEMBLY FOR 1237 TRIM FIGURE 4,5,6,7 HC-278**

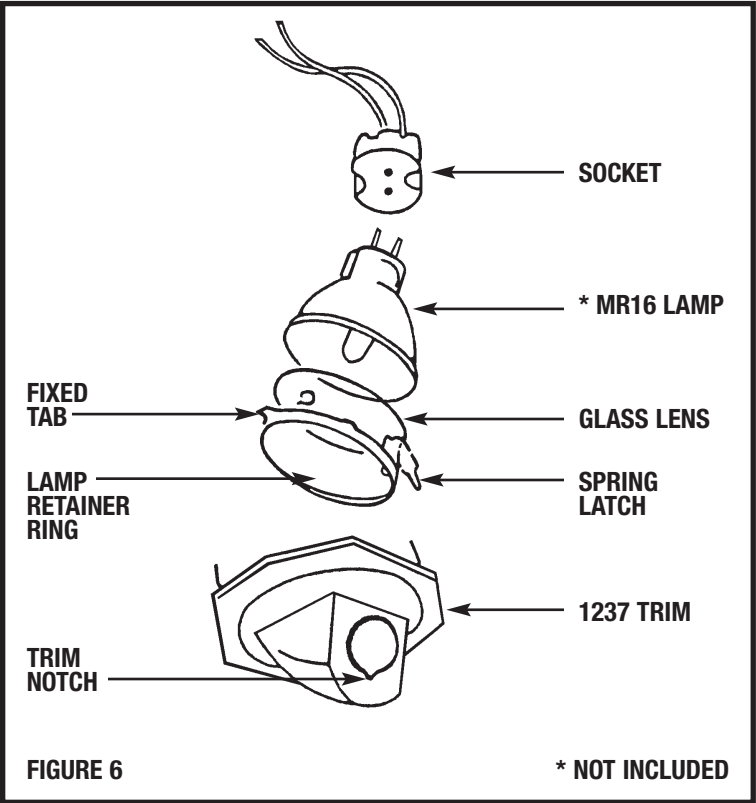
1. Cut the molex clip from the smaller socket assembly (if applicable). Cut the circular reflector socket from the base of the socket coming from the recessed housing (FIG. 4).
2. Strip wires 1/4".
3. Run the wires from the recessed housing to ceramic terminal block (FIG. 5). Run the wires from the smaller socket assembly to the other end of the ceramic terminal block. Tighten terminal block screws.
4. Install glass lens (supplied) into the recess of the back of the Lamp Retainer Ring (fig. 6). Place the MR16 lamp (not supplied) on top of the glass lens, making sure it is held in place by spring tab. Insert two pins of lamp into small holes in lamp socket.
5. To install Lamp Retaining Ring into cast Trim opening. Line up spring latch on Lamp Retainer Ring to the corresponding opening in the trim notch. Hold lamp assembly on a 45 degree angle, placing fixed tab onto the rim of the trim opening. Secure by pushing up the cast trim and seating the flat springs inside the low voltage recess housing (fig. 7).



**FIGURE 5**

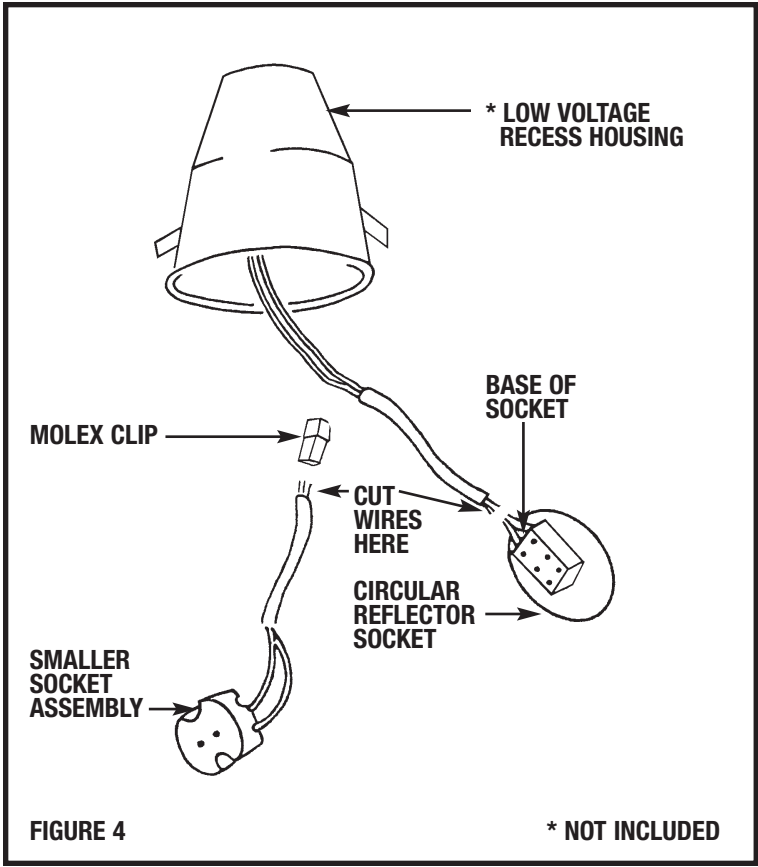
**FINAL ASSEMBLY FOR ALL TRIMS**

1. Insert socket from housing (not included) into lamp.
2. Push trim assembly into housing allowing spring contacts on trim to lock into place.



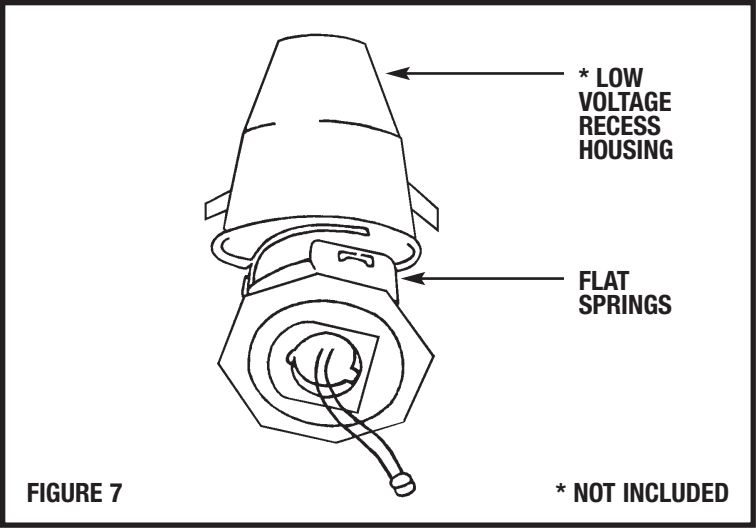
**FIGURE 6**

**\* NOT INCLUDED**



**FIGURE 4**

**\* NOT INCLUDED**



**FIGURE 7**

**\* NOT INCLUDED**