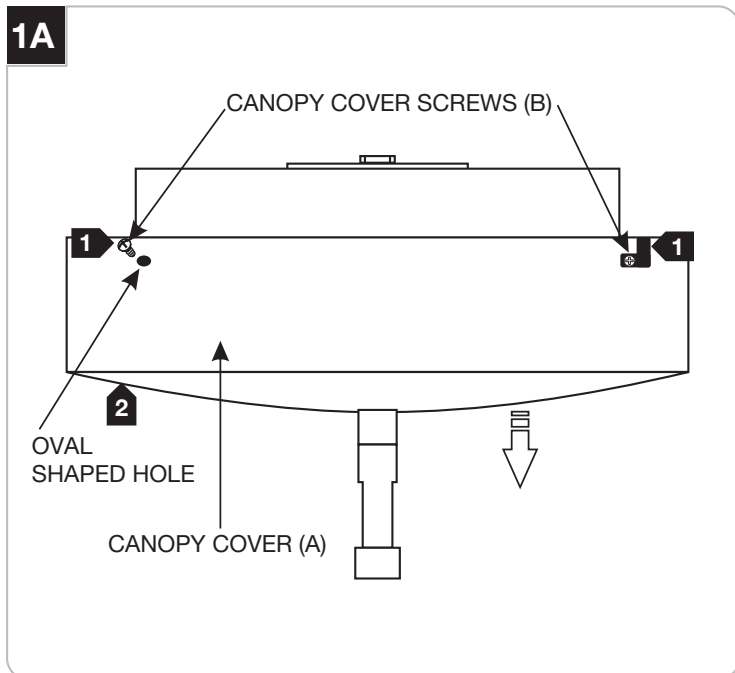


SINGLE FEED MAGNETIC SURFACE TRANSFORMER

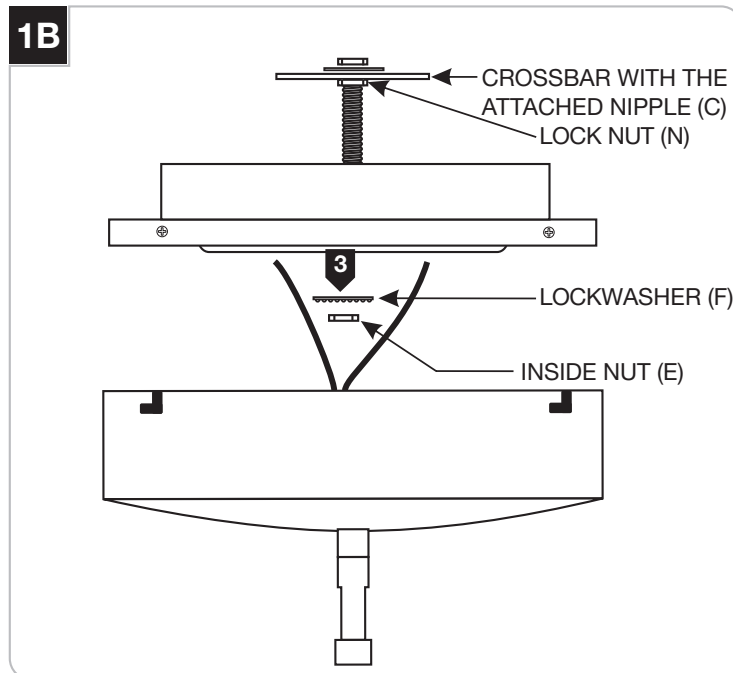
IMPORTANT SAFETY INSTRUCTIONS

- Read all instructions thoroughly.
- Be sure the electricity to the circuit you are working on is turned off; either the fuse removed or the circuit breaker set at off.
- If you are unclear as to how to proceed, contact a qualified electrician.
- Use of other manufacturers components will void warranty, listing, and create a potential safety hazard.
- This product is suitable for dry locations only.
- A typical installation is shown. Specific installation must be in accordance with local electrical codes.
- This product contains a built-in dimming coil.
- This product is intended for use with RTx low voltage lighting series by Sea Gull Lighting only.
- Do not conceal or extend bus bar conductors through a building wall.
- To reduce the risk of fire and burns, do not install this lighting system where the uninsulated open bus bar conductors can be shorted or contact any conductive materials.
- To reduce the risk of the system overheating and possibly causing a fire, make sure all the connections are tight.
- Turn the electricity to the circuit off before modifying the lighting system in any way.
- Minimum volume of the electrical box must be 6 cubic inches (98 cubic centimeter).
- Load the circuit of the transformer to no more than the maximum rated capacity as labeled on the transformer.
- Save these instructions.

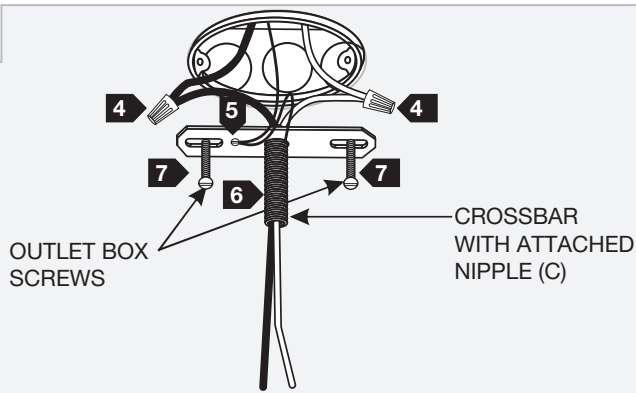
Install the Transformer



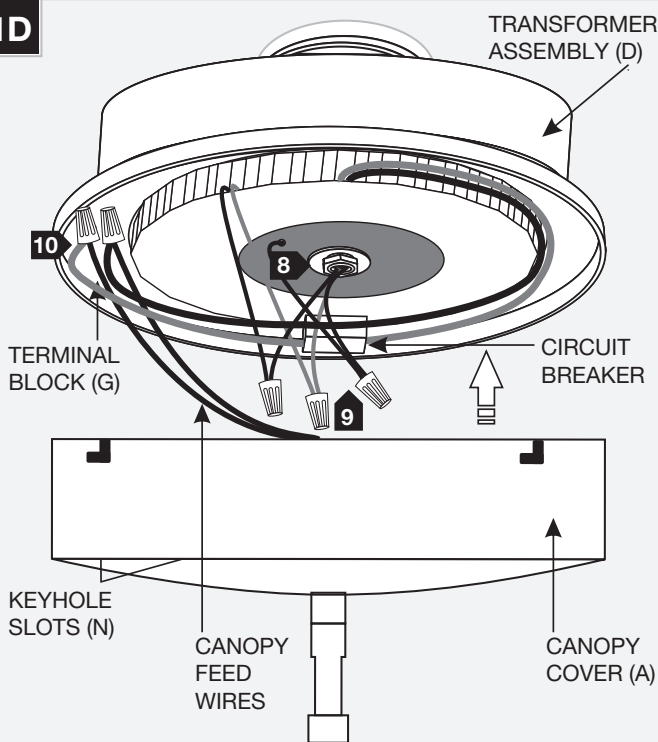
- On the side of the transformer canopy cover (A), loosen the (3) canopy cover screws (B) with a Phillips head screwdriver. Only the screw in the oval shaped hole should be removed from the canopy cover (A).
- Remove the canopy cover (A) from the transformer assembly by rotating clockwise.



- Remove the inside nut (E) and lockwasher (F) to remove the crossbar with the attached nipple (C). **DO NOT REMOVE** the nipple from the crossbar. The nipple may be adjusted if the installed junction box is not at a normal height. Loosen lock nut (N) to adjust nipple.

1C

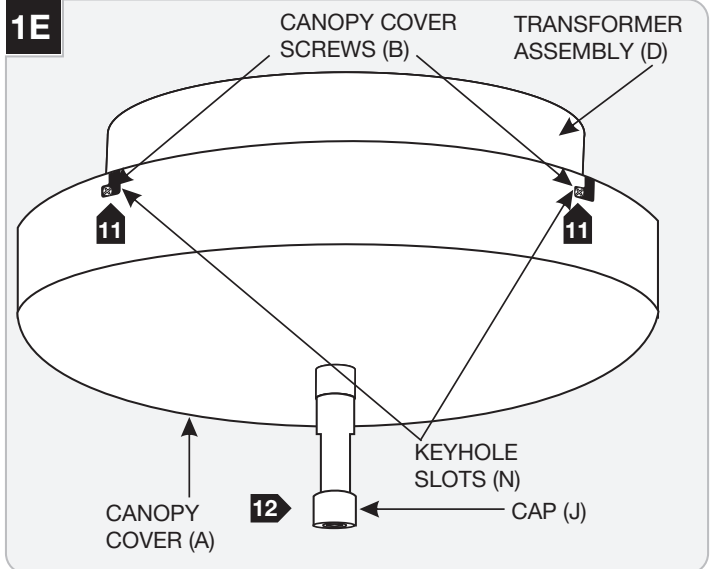
- 4** Connect the provided white and black extension wires to the 120v neutral and 120v hot power line wires respectively with wire nuts.
- 5** Place all wires and wire nut connections inside the electrical box. Wrap house groundwire and the green extension wire around the grounding screw on the crossbar with attached nipple (C), and tighten the green grounding screw to secure.
- 6** Feed the extension wires through the crossbar with attached nipple (C).
- 7** Mount the crossbar with the attached nipple (C) to the electrical box with provided outlet box screws.

1D

Note: The #95305 surfacemount transformer has 3 holes in the transformer assembly (D). If applicable you may install 3 screws (not supplied) to provide additional support.

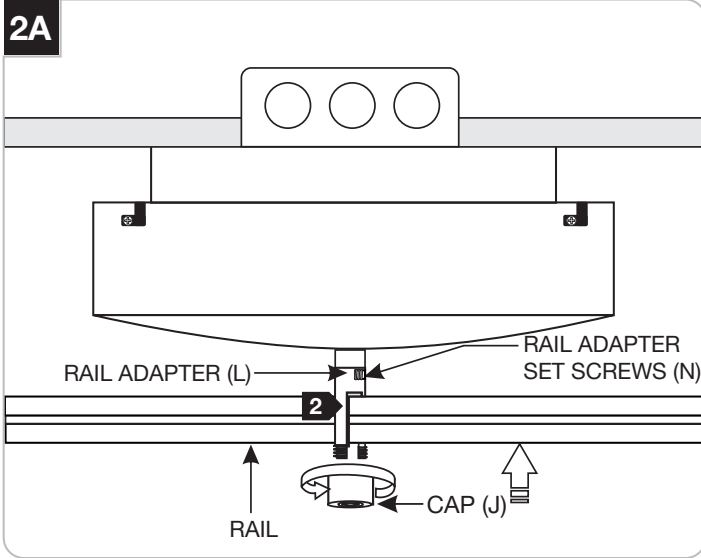
- 8** Slip the transformer assembly (D) over the nipple of the crossbar assembly. Slip washer (F) onto nipple (C) and tighten inside nut (C) to secure the transformer assembly (D).

- 9** Connect the black and white extension wires to the black and white transformer wires respectively with wire nuts. Connect the green extension wire to the green transformer wire.
- 10** Connect the 10 gauge transformer output wires to the 10 gauge canopy feed wires using supplied wire nuts.

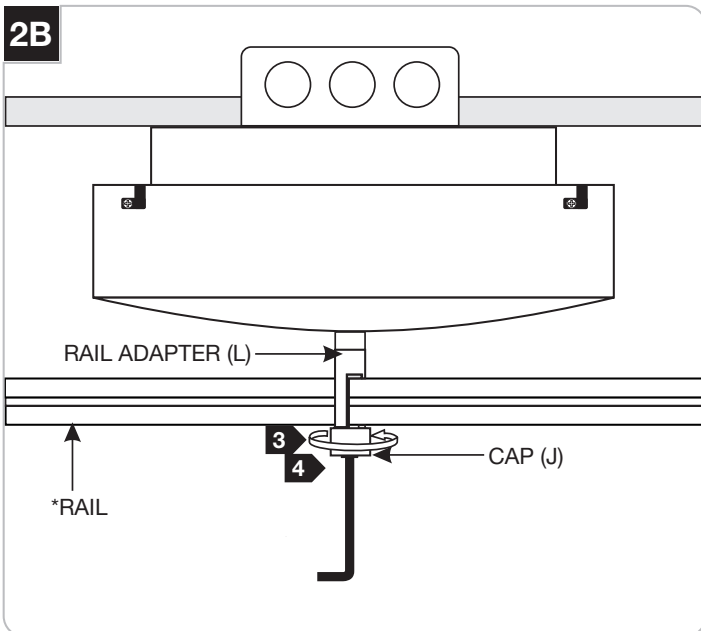
1E

- 11** Replace the canopy cover (A) onto the transformer assembly (D). Line the keyhole slots (N) with the installed canopy cover screws (B). Rotate canopy cover (A) counterclockwise so canopy cover screws (B) are located at the bottom left hand section of the keyhole slot (N). Tighten the two canopy cover screws (B). Install third canopy cover screw (B) through oval shaped hole to secure canopy cover (A).

Mount the rail to the Rail Adapter

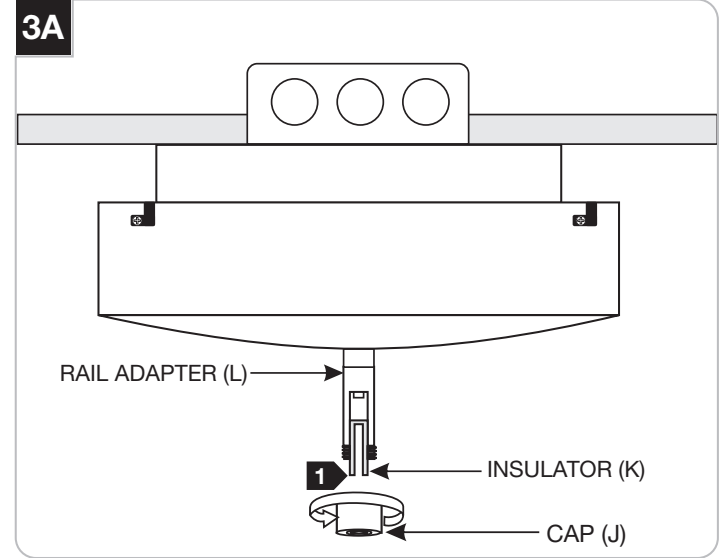


- 1** Before installing the rail you will need to adjust the height of your rail support adapter so it matches the transformer rail adapter (L). To adjust the height of the transformer's rail adapter, loosen the rail adapter set screws (N) with the supplied allen wrench. You may slide the rail adapter (L) down the stem, and resecure it by tightening the set screw (N). The transformer's rail adapter can only be adjusted to increase the height of the rail adapter.
- 2** Remove cap (J) from rail adapter (L). Push the rail into the rail adapter (L).

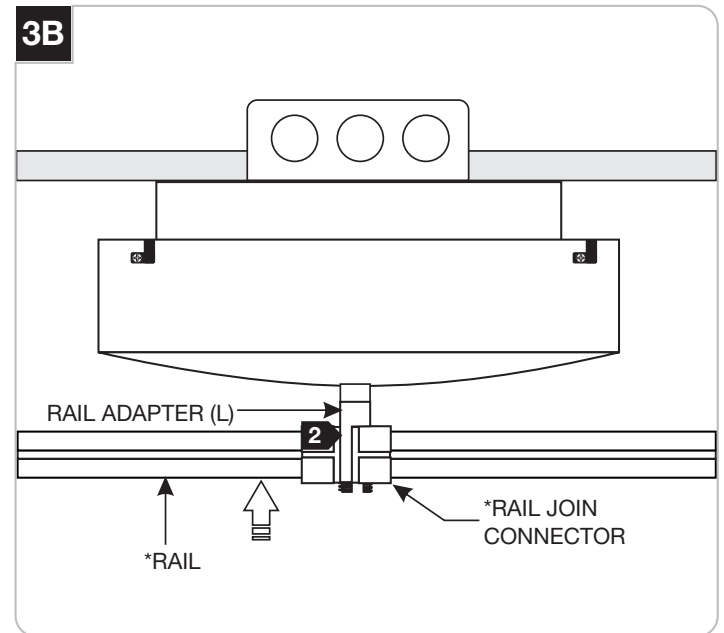


- 3** Replace and tighten the cap (J) to the rail adapter (L).
- 4** To prevent arcing, tighten the screw on the bottom of the cap (J) with the supplied large Allen wrench.

SPECIAL INSTALLATION: Mount a Rail Join Connector directly to the Rail Adapter

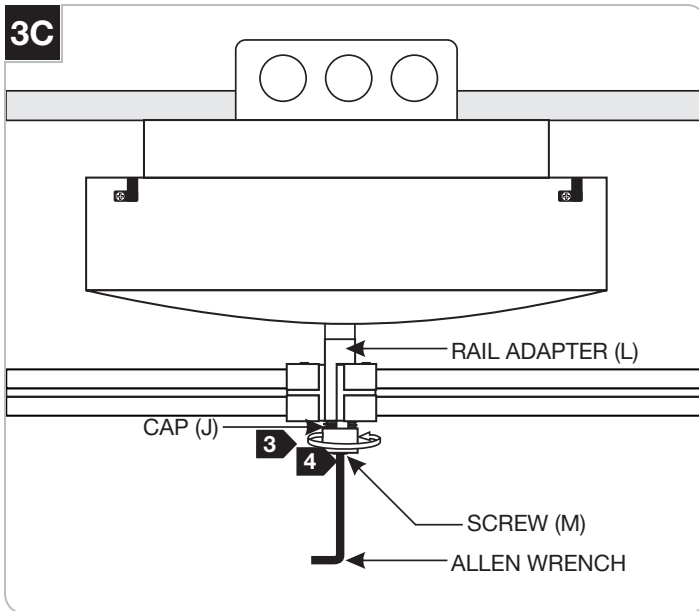


- 1** Remove cap (J) from rail adapter (L). Remove the insulator (K).



- 2** Push the rail join connector (sold separately) into the rail adapter (L).

3C



3 Replace and tighten the cap (J) to the rail adapter (L).

4 To prevent arcing, tighten the screw on the bottom of the cap (J) with the supplied large allen wrench.