

IMPORTANT SAFETY INSTRUCTIONS

To reduce the risk of fire, electrical shock, exposure to excessive UV radiation, or injury to person:

- This fixture should be installed in dry locations only.
- Do not look directly at the lighted lamp.
- Do not remain in light if skin feels warm.
- Risk of fire: Use only the type of lamp and maximum wattage indicated in this instruction manual.
- Never cover the halogen lamp and never place flammable material close to your fixture.
- Never turn the fixture on and off by connecting and disconnecting the halogen lamp.
- Do not touch the fixture shades or lamp shield while the fixture is on. These surfaces may be HOT.
- This product must be used with RTx low-voltage series by Sea Gull Lighting.
- Use of other manufacturers components will void warranty, listing and create a potential safety hazard.
- Save these instructions.

HALOGEN LAMP GENERAL INFORMATION

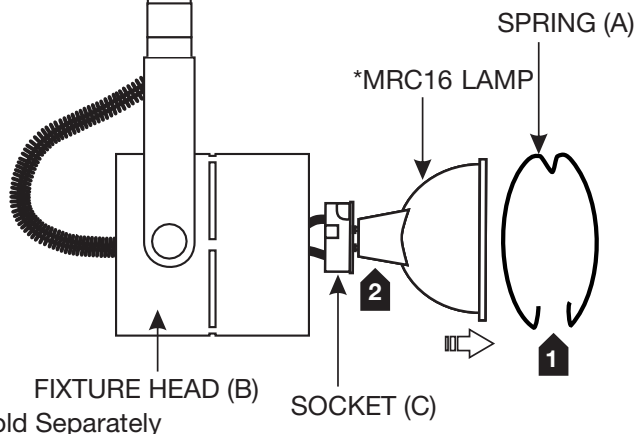
A new halogen lamp may smoke slightly when it is used for the first time. This is perfectly normal; the protective coating is simply being vaporized.

TWO TIPS FOR PROLONGING HALOGEN LAMP LIFE

- First avoid touching the lamp with bare hands during installation. Any contaminant, even the oil from your hands can deteriorate the lamp. Rubbing alcohol can be used to remove any contaminant.
- Second, do not run the lamps at full power when you do not need to. However, if dimming the fixture for an extended period of time, occasionally bring the light up to full brightness for a few minutes to complete the halogen cycle.

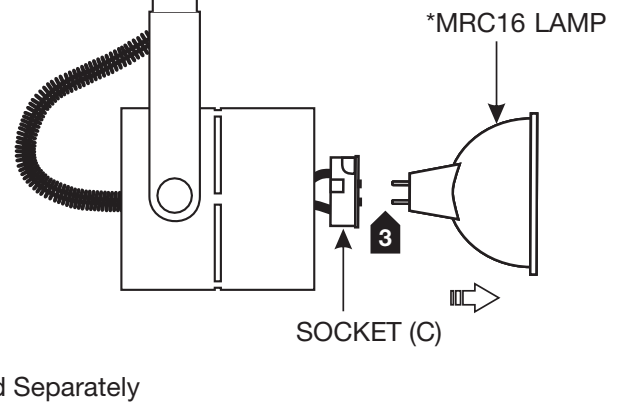
Installing the Lamp

1A

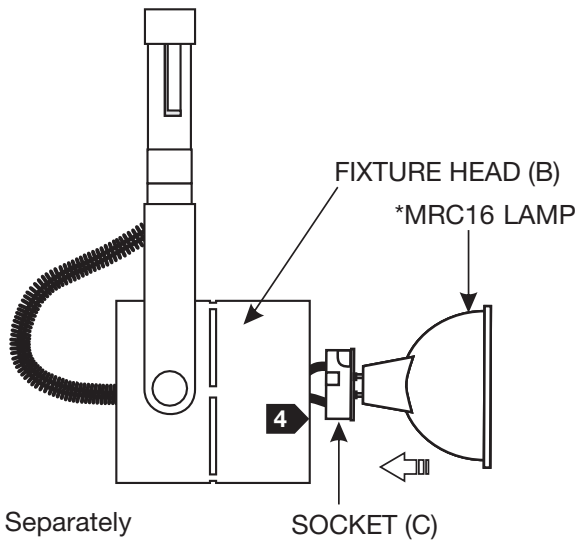


- 1 Squeeze the spring (A) ends together and pull the spring (A) out of the fixture head (B).
- 2 Pull the socket (C) from the fixture head (B).

1B



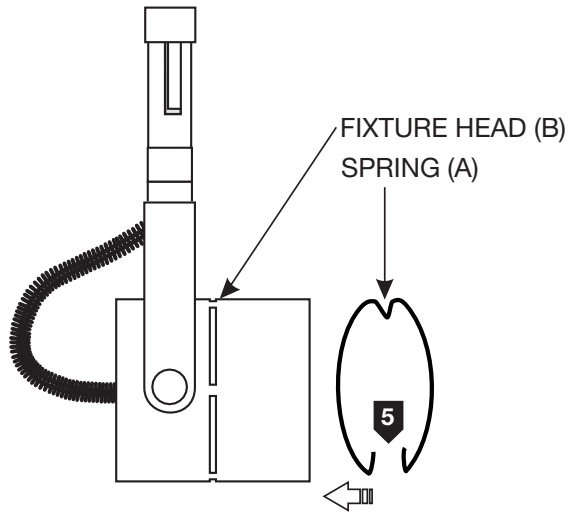
- 3 While holding the socket (C) with one hand, carefully insert the MRC16 lamp into the socket (C).

1C

*Sold Separately

SOCKET (C)

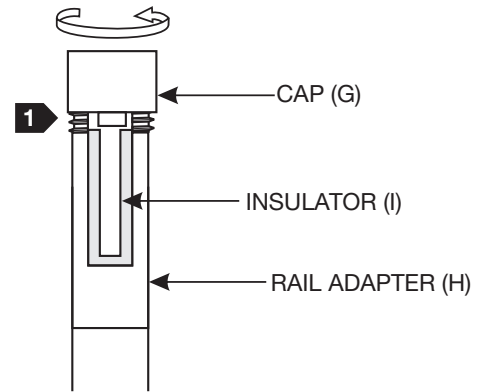
- 4** Place the Socket (C) and MRC16 lamp into the fixture head (B).

1D

- 5** Squeeze the spring (A) ends together and push it in to the front of the fixture head.

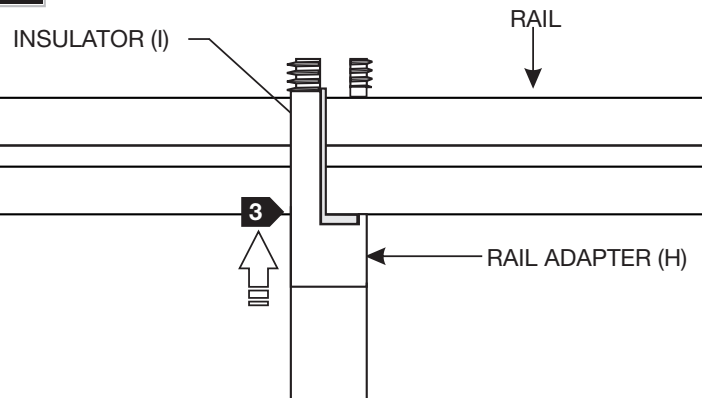
- 6** Release the spring (A) ends to hold the MRC16 lamp in place.

Installing the Rail Adapter to the Rail

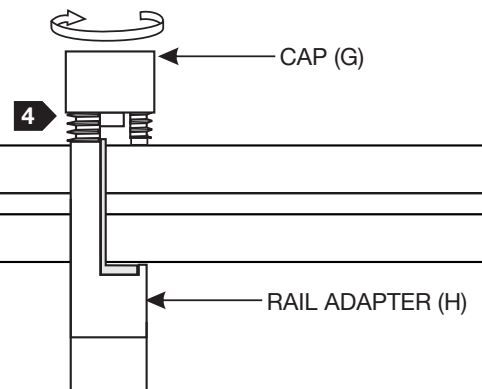
2A

- 1** Remove the cap (G) from the rail adapter (H).

- 2** **DO NOT REMOVE** the insulator (I).

2B

- 3** From bottom of the rail push the rail adapter (H) all the way onto the rail so that the rail fits in the insulator (I).

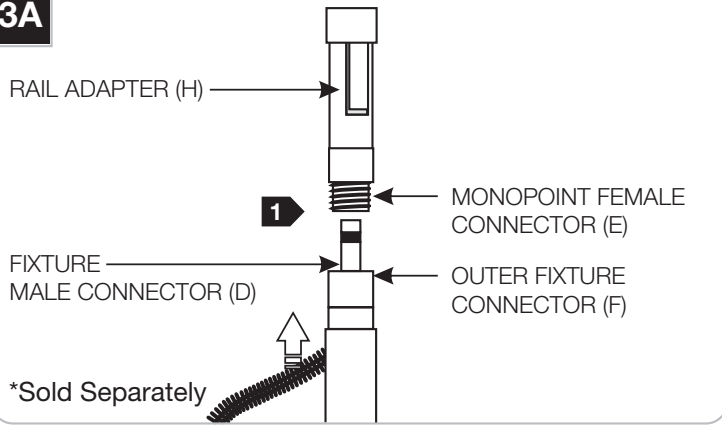
2C

- 4** Replace and tighten the cap (G) to the rail adapter (H).

NOTE: In case of cross threading, unscrew the cap (G) from the housing (H) and repeat step 4.

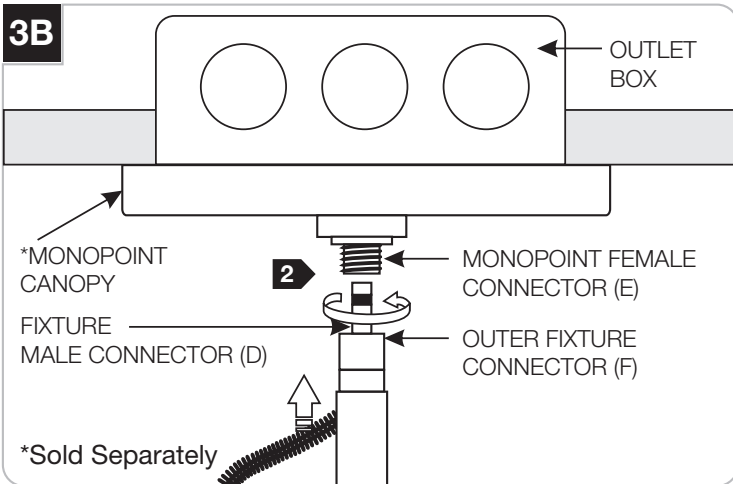
Connect the Fixture to the Monopoint Canopy

3A



1 Unthread rail adapter (H) from male connector (D)

3B



2 Insert fixture male connector (D) into monopoint female connector (E). Thread the outer fixture connector (F) to the monopoint female connector (E) to secure.