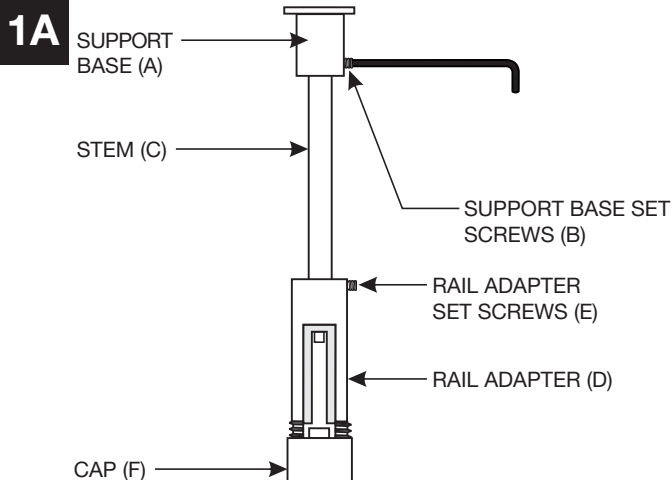


RAIL SUPPORT ADAPTER

IMPORTANT SAFETY INSTRUCTIONS

- Be sure the electricity to the circuit you are working on is turned off; either the fuse removed or the circuit breaker set at off.
- If you are unclear as to how to proceed, contact a qualified electrician.
- For use with the RTx low voltage rail series by Sea Gull Lighting.
- Use of other manufacturers components will void warranty, listing, and create a potential safety hazard.
- Be sure to install the rail system where it can not be shorted out by conductive materials.
- This product is suitable for dry locations only.
- Make sure all connections are tight.
- This is a non-electrified support.
- Space supports no greater than 3 feet apart for straight sections.
- Save these instructions.

OPTIONAL INSTALLATION: USING AN EXTENDED STEM



- 1 Use supplied allen wrench and loosen support base set screws (B) and rail adapter set screws (E).
- 2 Remove existing stem (C) from support base (A) and rail adapter (D). Replace with new stem.
- 3 Retighten rail adapter set screws (F) and support base set screws (B).

MARK THE STANDOFF POINTS

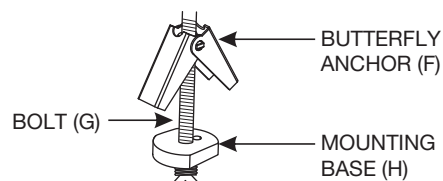
- 1 Select the location on the ceiling where the rail is to be mounted.
- 2 Lay the rail (sold separately) out on the floor underneath the selected location.
- 3 With the tip of a plumb bob pointing to the center of the rail, raise the line of the plumb bob to the ceiling and mark the standoff points. This procedure is very helpful for curved rails.

NOTE: Steps 2 and 3 can be ignored when holding the rail directly against the ceiling to mark the standoff points. This procedure will require more than one person.

INSTALLING THE STANDOFF HARDWARE

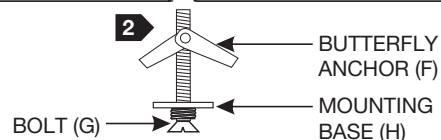
- 1 Drill a 5/8" hole through the drywall at the marked point.

1A



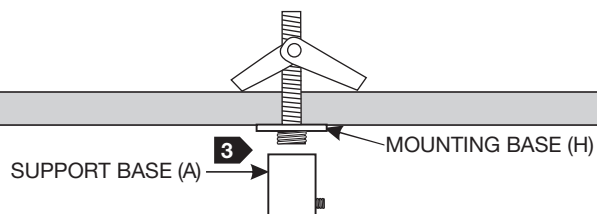
- 1 Place bolt (G) into mounting base (H). Make sure threaded side of mounting base (H) faces down. Thread butterfly anchor (F) onto tip of bolt (G).

1B



- 2 Place butterfly anchor (F) through 5/8" hole in ceiling. Tighten bolt (G) to secure mounting base (H) to ceiling.

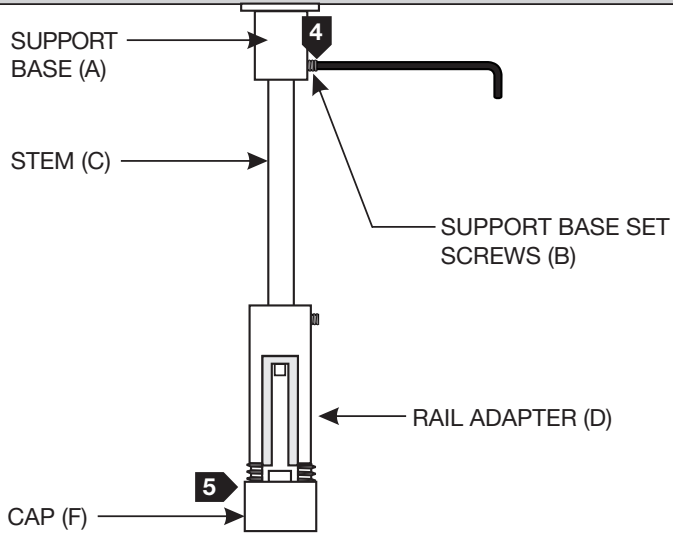
1C



- 3 Thread support base (A) to mounting base (H).

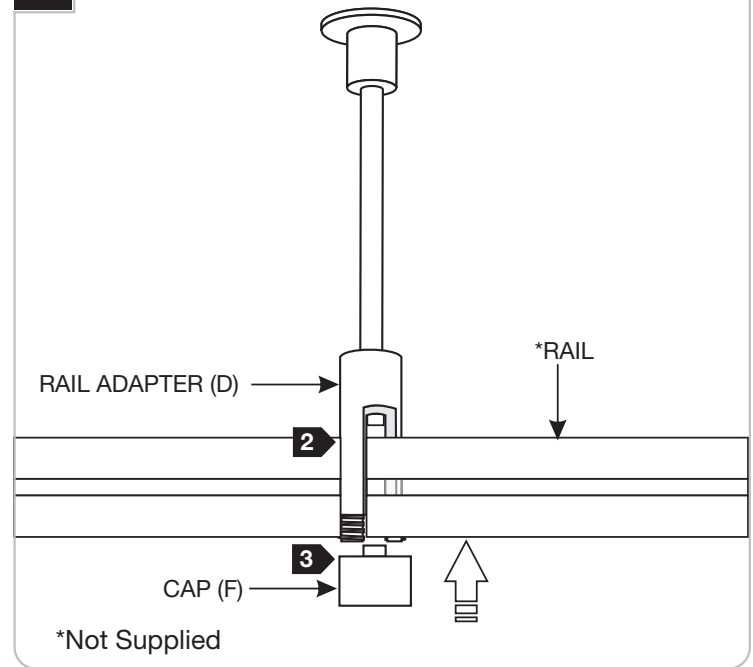
Connect the Rail to the Standoff

1D



- 4 Push the stem (C) all the way into the support base (A) and tighten the support base set screws (B) with the provided Allen wrench.
- 5 Remove the cap (F) from the rail adapter (D).
- 6 Repeat steps 1 through 6 for all other standoffs.

2A

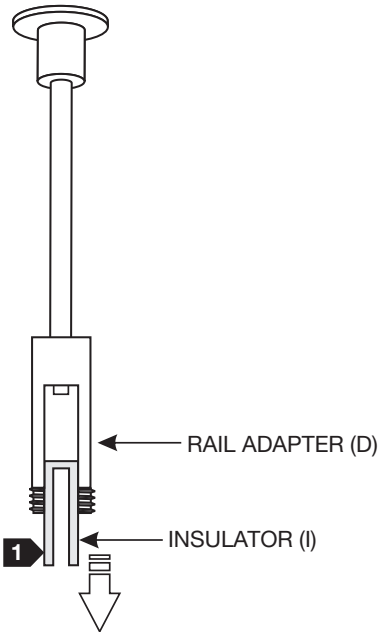


- 1 Measure the distance from the ceiling to the center of the rail adapter (D). Measure the distance from the ceiling to the center of the power feed support adapter (sold separately). Loosen set screws on the rail adapter (D) to adjust rail adapter (D) height, if required. Adjust direction of rail adapter (D) if necessary. Retighten rail adapter (D) set screws.
- 2 Push the rail (not supplied) into the rail adapter (D) opening.
- 3 Thread the cap (F) onto the rail adapter (D) to secure.

NOTE: In case of cross threading, unscrew the cap (F) from the rail adapter (D) and repeat step 2.

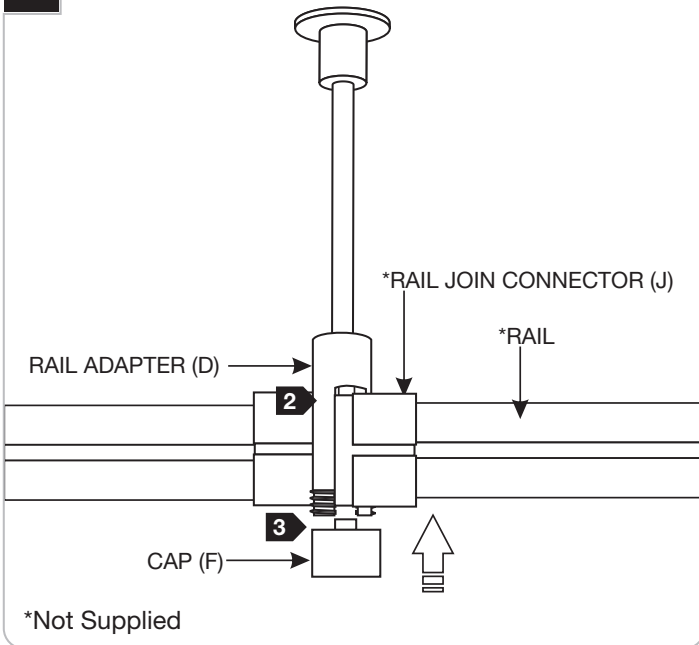
SPECIAL INSTALLATION: Installing the Standoff Over a Rail Join Connector

3A



- Remove the insulator (I) from the rail adapter (H).

3B



- Push the rail join connector (J) into the rail adapter (D) opening.
- Thread the cap (F) into the rail adapter (D).

NOTE: In case of cross threading, unscrew the cap (F) from the rail adapter (D) and repeat step 3.