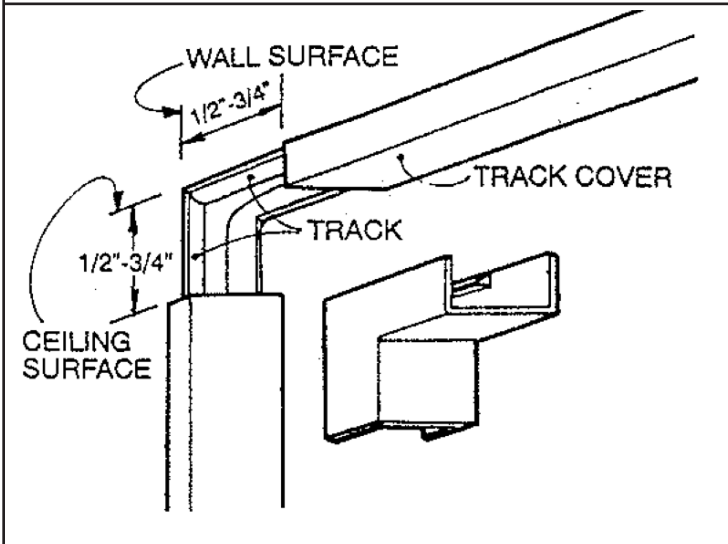


INSTALLATION AND SAFETY INSTRUCTIONS HC-200

WARNING: BE SURE ELECTRICITY TO SYSTEM YOU ARE WORKING ON IS TURNED OFF, EITHER THE FUSE REMOVED OR THE CIRCUIT BREAKER SET AT OFF.

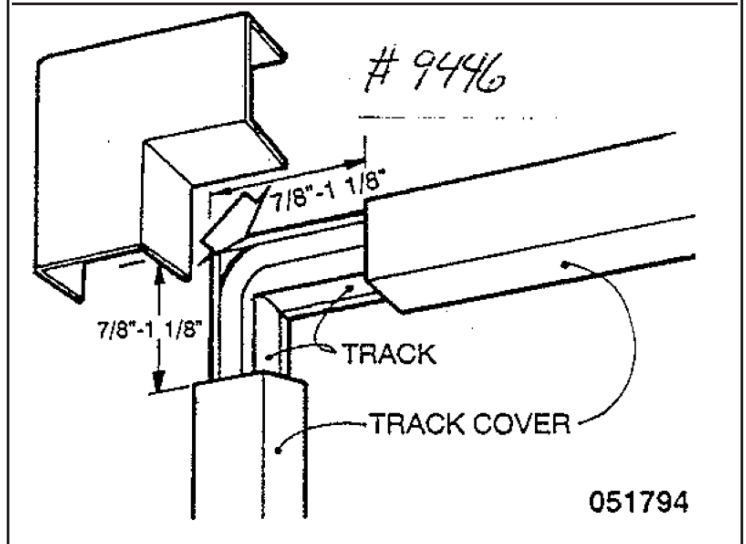
INSTALLATION OF 9446 WALL TO CEILING COVER

- a) SEE ILLUSTRATION FOR CORRECT TRACK AND COVER PLACEMENT FROM WALL AND CEILING.
- b) SNAP WALL TO CEILING COVER ONTO TRACKS.



INSTALLATION OF 9447 LEFT OR RIGHT COVER

- a) SEE ILLUSTRATION FOR CORRECT TRACK AND COVER PLACEMENT.
- b) SNAP LEFT OR RIGHT COVER ONTO TRACKS.

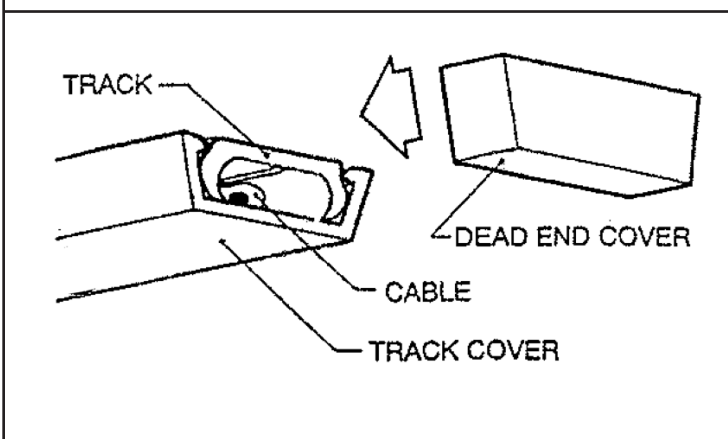


INSTALLATION AND SAFETY INSTRUCTIONS HC-200

WARNING: BE SURE ELECTRICITY TO SYSTEM YOU ARE WORKING ON IS TURNED OFF, EITHER THE FUSE REMOVED OR THE CIRCUIT BREAKER SET AT OFF.

INSTALLATION OF 9445 DEAD END COVER

- a) CABLE MUST BE CUT BACK 1/4\" FROM END OF TRACK.
- b) PLACE DEAD END COVER OVER END OF TRACK AND TRACK COVER AND PUSH IN. (SEE ILLUSTRATION)



INSTALLATION OF 9448 FASCIA END COVER

- a) PLACE FASCIA END COVER OVER END OF FASCIA AND PUSH IN. (SEE ILLUSTRATION)

