



Installation And Safety Instructions

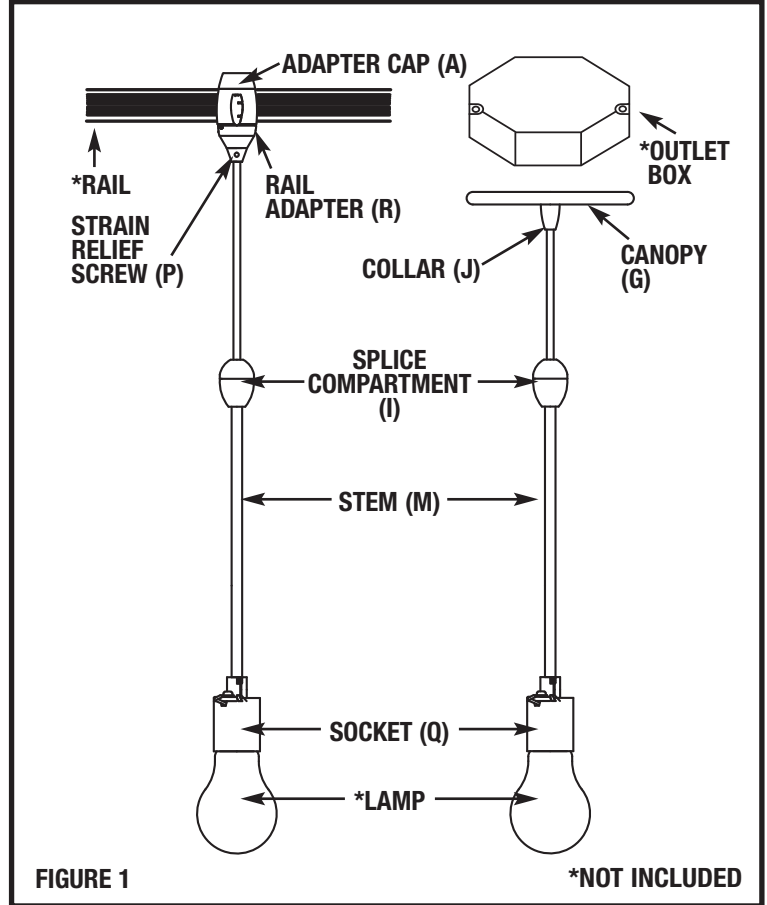
LR-153

Line art shown may not exactly match the fixture enclosed. However, the installation instructions do apply to this fixture. Fill in Item Number on Carton and File This Sheet For Future Reference. ITEM# _____

102808

IMPORTANT SAFETY INSTRUCTIONS

- Be sure the electricity to the system you are working on is turned off; either the fuse removed or the circuit breaker set at off.
- Use of other manufacturers components will void warranty, listing and create a potential safety hazard.
- If you are unclear as to how to proceed, contact a qualified electrician.
- For use with the 120V Transitions track series by Sea Gull Lighting.
- Caution—To reduce the risk of a burn during relamping, remove from the track before relamping.
- Minimum distance from the front of the lamp to combustible surfaces is 8".
- Make sure all connections are tight.
- Caution – To reduce the risk of FIRE or INJURY TO PERSONS: Turn off and allow to cool before replacing lamp.
- Turn off and allow to cool before replacing lamp.
- Lamp gets HOT quickly! Contact switch only when turning on.
- Do not touch hot lens, guard, or enclosure.
- Do not touch the lamp at any time. Use a soft cloth. Oil from skin may damage lamp.
- Keep lamp away from materials that may burn.
- Do not operate the luminaire fitting with a missing or damaged shield.
- Save these instructions.

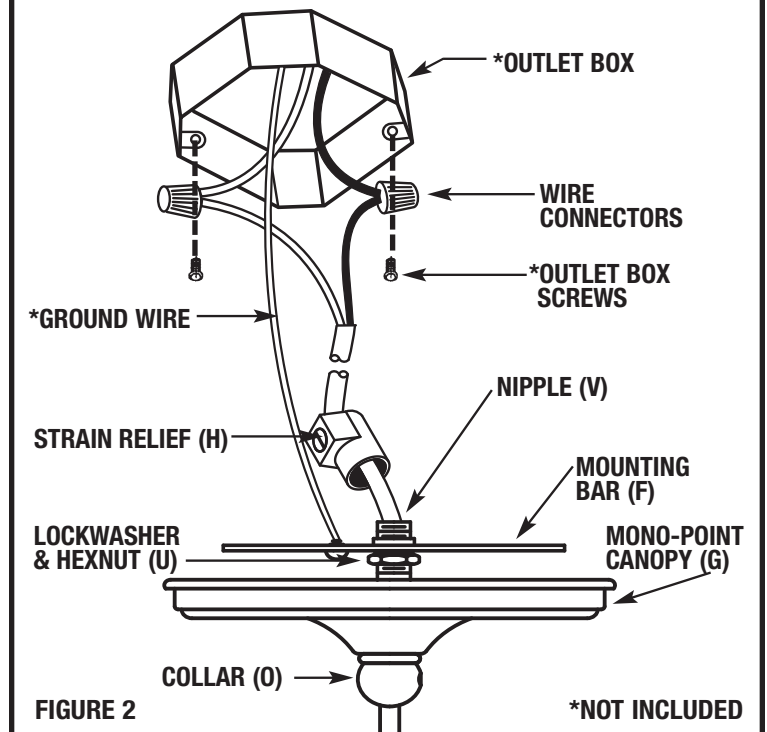


ASSEMBLING PENDANT/SHORTENING PENDANT

1. Determine length of pendant and shorten cable from the splice compartment (I). Be sure to add 5" for electrical connections when installing with canopy (G).
2. Unthread top of splice compartment (I). Set strain relief collar at desired location. NOTE: Strain relief collar is threaded and should be threaded up and down cable. Be sure $\frac{3}{8}$ " of cable jacket is protruding out of strain relief collar. Secure in place by tightening the two set screws.
3. Make connections between socket leads and pendant cable using wire nuts inside the splice compartment:
 - a. Black to Black
 - b. White to White
 - c. Ground to Ground

Make sure no wires are left exposed and carefully tuck wire nuts into bottom half of splice compartment (I).
4. Close splice compartment (I) by threading the two halves together.

GROUNDING AND MOUNTING BAR LOCK UP FOR OPTIONAL MONO-POINT CANOPY



1. Install optional shade (not included) over socket (Q). Follow applicable instructions provided with shade.
2. Install 100W max. incandescent lamp (not supplied) to socket (Q).

FOR MONO-POINT INSTALLATION (Fig.2)

1. Remove rail adapter (R) by cutting wire just below the rail adapter (R).
2. Slide collar (O), canopy (G), mounting bar (F), nipple (V), and lockwasher & hexnut (U), over wire to the top of the splice compartment (I) (in that order).
3. Install strain relief (H) to wire. Tighten strain relief set screw with a flat head screwdriver.
4. Secure mounting bar (F) to outlet box with outlet box screws (not supplied).
5. Make electrical connections using silicone wire nuts or other UL listed device. Be sure that no wires are left exposed.
 - a. House Black to Fixture Black
 - b. House White to Fixture White
 - c. House Ground to Green Ground Screw

Make sure that no wires are left exposed.
6. Raise canopy (G) against ceiling and secure by threading collar (O) to nipple (V).

ATTACH PENDANT TO RAIL - REFER TO FIGURE 4

1. Unthread adapter cap (A) from rail adapter (R).
2. Making sure contacts (K) will align with conductors (L) on rail, set the bottom of the the rail adapter (R) to the bottom of the rail and "roll" rail adapter (R) up onto the rail.
3. Install fixture to rail by closing rail adapter (R) over rail. Thread adapter cap (A) back onto rail adapter (R) tightly.

