

IMPORTANT SAFETY INSTRUCTIONS

- Be sure the electricity to the system you are working on is turned off; either the fuse removed or the circuit breaker set at off.
- Use of other manufacturers components will void warranty, listing and create a potential safety hazard.
- If you are unclear as to how to proceed, contact a qualified electrician.
- Do not install on a post or pole that results in a vertical rise of 25 feet or higher.
- You don't need special tools to install this fixture.
- Be sure to follow the steps in the order given.
- Proper wiring is essential for the safe operation of this fixture.
- To reduce the risk of fire, electric shock or personal injury, mount to a system able to support the weight of the fixture.
- Read instructions carefully.
- Save these instructions.

CLEANING

To clean, wipe fixture with a soft cloth. Clean glass with a mild soap. Do not use abrasive materials such as scouring pads or powders, steel wool or abrasive paper.

ORDERING PARTS

Keep this sheet for future reference, and in case you need to order replacement parts. Parts for this fixture can be ordered from place of purchase. Be sure to use exact wording from illustration when ordering parts.

NOTE: THIS GLASS IS HANDCRAFTED, THE SLIGHT IMPERFECTIONS IN THE GLASS ADD TO THE AUTHENTICITY OF THE FIXTURE.

INSTALLATION

STEP 1:

- Use a listed wire connector to connect the fixture hot wire (black wire, or round and smooth tracer) to the supply hot wire.
- Use a listed wire connector to connect the fixture common wire (white wire, or square and rigid) to the supply common wire.
- Gently try to remove the wires from the connector. If you can remove the wires, carefully re-do the wiring connection.

STEP 2:

GROUNDING INSTRUCTIONS:

Connect the ground wire from the fixture (bare metal or green insulated wire) to the ground wire from the power supply (bare metal or green insulated wire) using a small wire connector (not supplied).

NEVER CONNECT GROUND WIRE TO BLACK OR WHITE POWER SUPPLY WIRES.

STEP 3:

Slide fitter (E) onto post. Secure in place using three supplied fitter screws (A).

FINAL ASSEMBLY

Make sure no bare wires can be seen outside wire connectors.

STEP 1:

Install lamp (not supplied) into socket.

STEP 2:

Place hood (B) on top of cage (C). Use retaining screws (D) to secure.

STEP 3:

Thread finial (F) to top of hood (B).

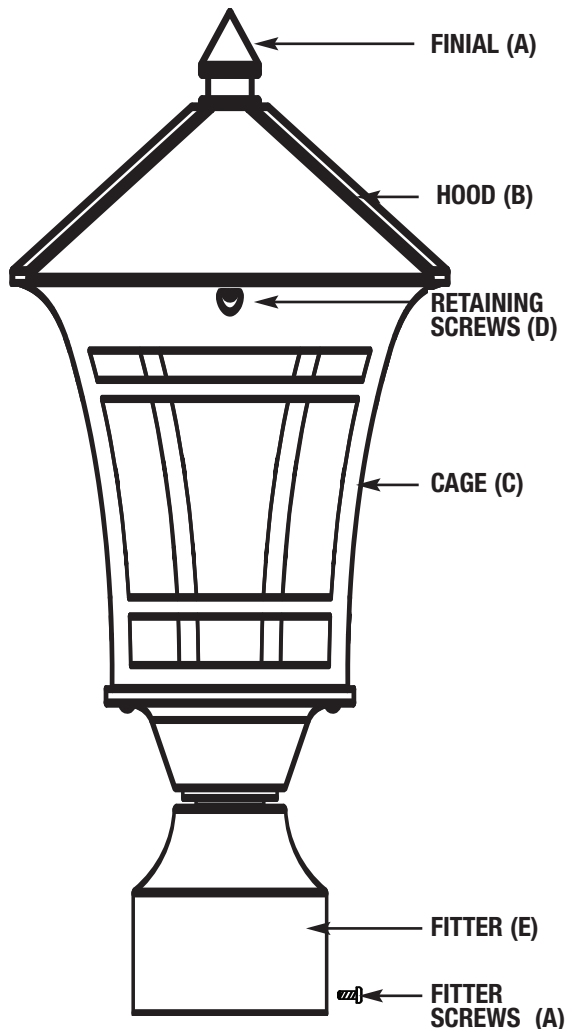


FIGURE 1