

## IMPORTANT SAFETY INSTRUCTIONS

- Be sure the electricity to the system you are working on is turned off; either the fuse removed or the circuit breaker set at off.
- Use of other manufacturers components will void warranty, listing and create a potential safety hazard.
- If you are unclear as to how to proceed, contact a qualified electrician.
- You don't need special tools to install this fixture.
- Be sure to follow the steps in the order given.
- Read instructions carefully.
- Save these instructions.

**NOTE: FOR FIXTURES PROVIDED WITH 75°C OR 90°C SUPPLY WIRE (FOUND ON CARTON LABEL) WARNING ONLY: RISK OF FIRE. MOST DWELLINGS BUILT BEFORE 1985 HAVE SUPPLY WIRE RATED 60°C. CONSULT A QUALIFIED ELECTRICIAN BEFORE INSTALLING.**

## CLEANING

To clean, wipe fixture with a soft cloth. Clean glass with a mild soap. Do not use abrasive materials such as scouring pads or powders, steel wool or abrasive paper.

## ORDERING PARTS

Keep this sheet for future reference, and in case you need to order replacement parts. Parts for this fixture can be ordered from place of purchase. Be sure to use exact wording from illustration when ordering parts.

## BEFORE YOU BEGIN

Carefully remove the fixture from the carton and check that all parts are included, as shown in figure 1. Be careful not to misplace any of the screws or parts which are needed to install this fixture.

## INSTALLATION

**IMPORTANT: DO NOT ATTACH FIXTURE DIRECTLY TO OUTLET BOX WITHOUT THE USE OF A MOUNTING BAR.**

### STEP 1:

Thread fixture mounting screws (B) into threaded holes of mounting bar (A) 3 turns each.

### STEP 2:

Secure mounting bar (A) to outlet box with outlet box screws (not supplied). Raised side is top as illustrated.

### STEP 3:

**A.** Use a listed wire connector to connect the fixture hot wire (black wire, or round and smooth tracer) to the supply hot wire.

**B.** Use a listed wire connector to connect the fixture common wire (white wire, or square and rigid) to the supply common wire.

**C.** Gently try to remove the wires from the connector. If you can remove the wires, carefully re-do the wiring connection.

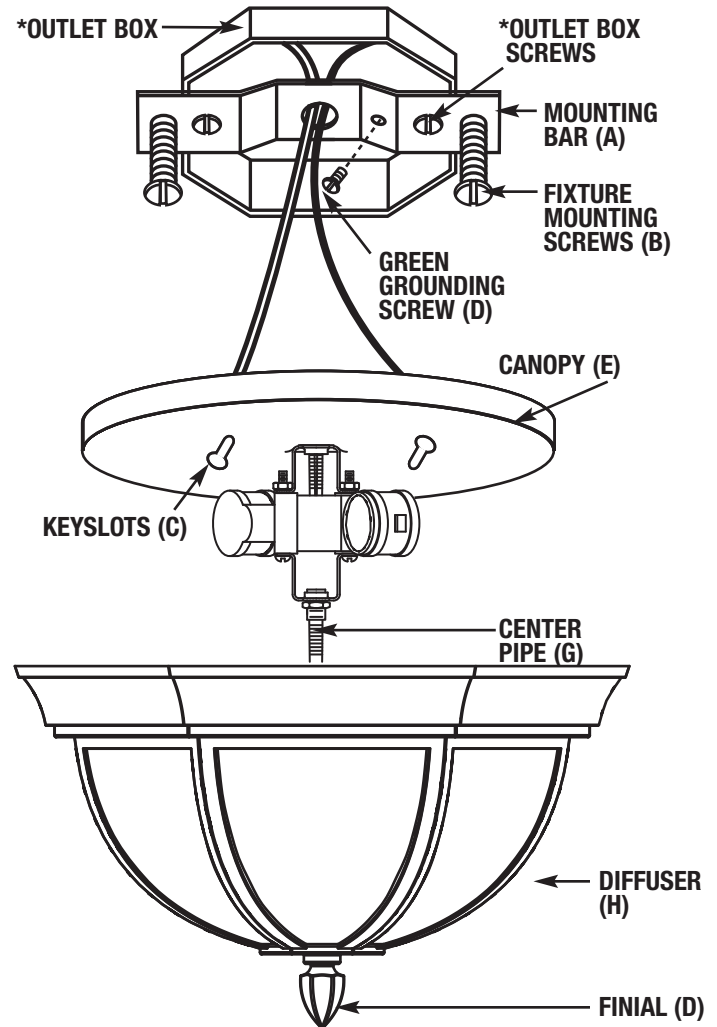


FIGURE 1

\*NOT SUPPLIED

**STEP 4:****GROUNDING INSTRUCTIONS:**

Connect the supply ground wire, fixture ground wire, and mounting bar ground wire (pre attached) using the supplied wiring connector. Gently try to remove the wires from the connector. If you can remove the wires, carefully re-do the wiring connection.

**STEP 5:**

After wires are connected, tuck them carefully inside outlet box. Raise the canopy (E) to the ceiling allowing for mounting screws (B) to protrude through key slots (C). Rotate canopy (E) clockwise until screws (B) are in narrow part of keyslot (C). Tighten mounting screws (B) with screwdriver.

**STEP 6:**

Install lamps.

**STEP 7:**

Raise diffuser (H) to canopy so that center pipe (G) protrudes through diffuser (H). Secure in place by threading finial (D) to center pipe (G).