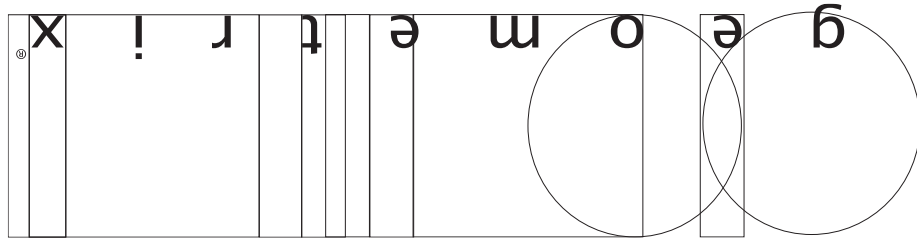


Important: Label on back contains important information on your crystal color. Please save in case you ever need to order matching crystal.



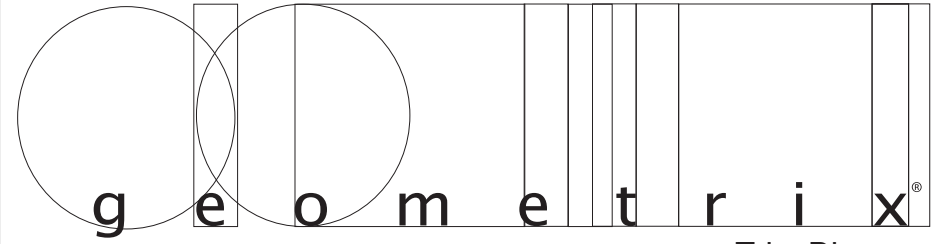
Trim Diagram
Vertex® Pendant VR2524A



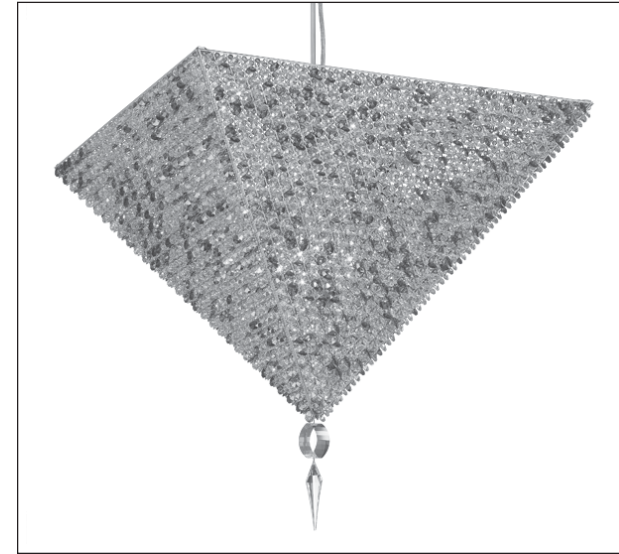
Schonbek Worldwide Lighting Inc., 61 Industrial Blvd., Plattsburgh NY 12901-1908
Tel: 800.836.1892 or 518.563.7500 www.schonbek.com

© 2007 SCHONBEK WORLDWIDE LIGHTING INC., A. SCHONBEK & CO. LTD. WORLDWIDE COPYRIGHT RESERVED

US PATENT #D522,169, #D521,678, #D522,687, #D522,685, #7,101,065, #D528,244, #D560,027 & #7,347,594



Trim Diagram
Vertex® Pendant VR2524A



17 Lights
Diameter: 25", Height: 24"

Geometrix® is designed by Schonbek with Swarovski Spectra® crystal.

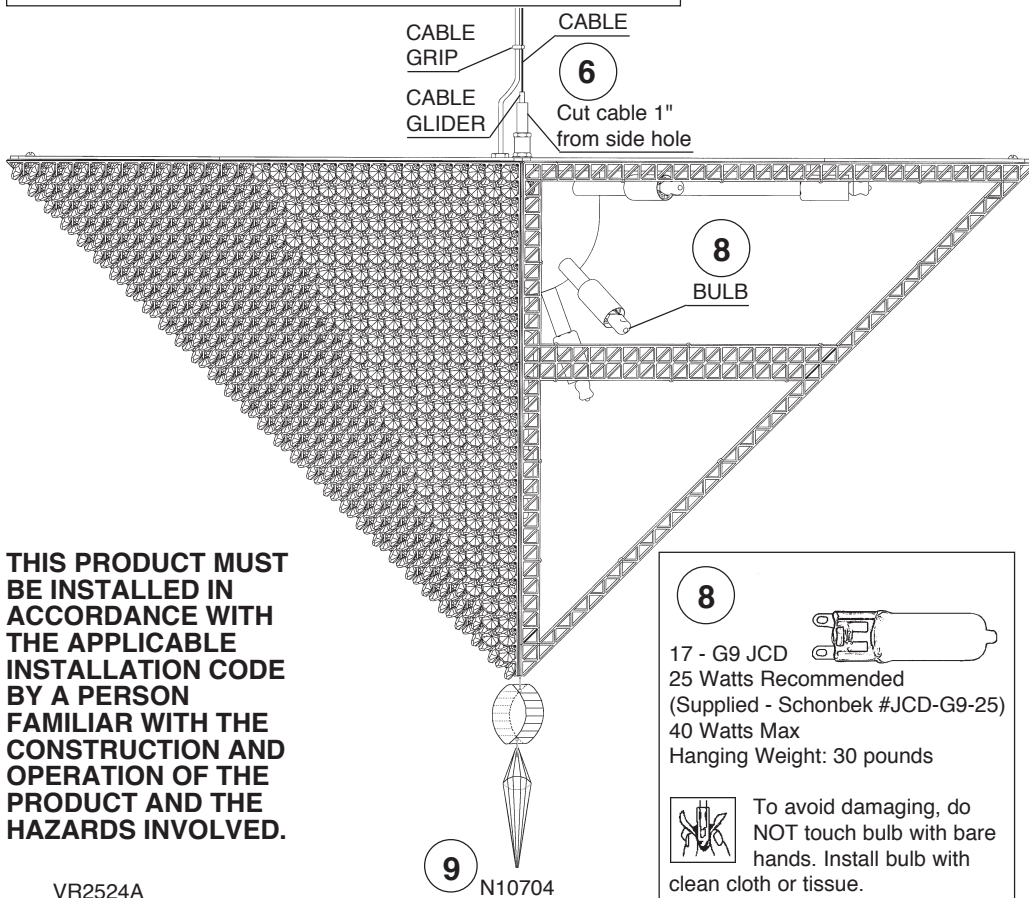
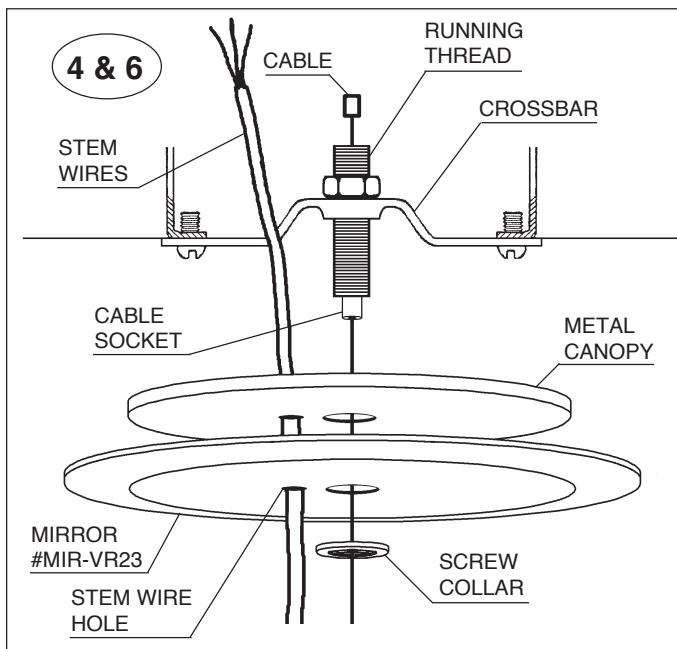


This design is the proprietary trade dress/trademark of Schonbek Worldwide Lighting Inc.

Please save your trim diagram for future reference.

IMPORTANT: Label on back contains important information on your crystal. Please save in case you ever need to order matching crystal.

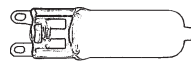





THIS PRODUCT MUST BE INSTALLED IN ACCORDANCE WITH THE APPLICABLE INSTALLATION CODE BY A PERSON FAMILIAR WITH THE CONSTRUCTION AND OPERATION OF THE PRODUCT AND THE HAZARDS INVOLVED.


8 (circled)

17 - G9 JCD
25 Watts Recommended
(Supplied - Schonbek #JCD-G9-25)
40 Watts Max
Hanging Weight: 30 pounds



 To avoid damaging, do NOT touch bulb with bare hands. Install bulb with clean cloth or tissue.

How to Install G9 Bulbs and Vertex® Chandelier:

- 1** Open top of box and remove two inserts. The crystal frame will be upside down.
- 2** Remove WAC hardware, bulbs, finial and trim diagram packet from all four corners of square support piece.
- 3** Remove square support piece from box. The crystal frame will be upside down on a plywood board.
- 4** Remove the screw collar, mirror, metal canopy from the canopy assembly (with running thread attached). Feed suspension cable through running thread from the top so that the cast cable end is seated in the inside of the cable socket. Attach crossbar to the outlet box with cable hanging down. Feed suspension cable through the center hole (larger hole) of the canopy, mirror and then screw collar. The metal canopy must be on top of the mirror. Raise metal canopy and mirror to ceiling and secure to running thread with the screw collar. Place square support piece directly underneath the canopy with the cable.
- 5** It is recommended that **two** people carefully remove plywood with crystal frame attached. Place the plywood on the square support piece so that the crystal frame hangs down. Make sure to only hold the plywood and NOT the crystal frame when maneuvering the plywood from the box to the square support piece. Holding onto the crystal frame could cause the metal frame to bend or break crystal.
- 6** Another person should feed the cable into cable glider on chandelier frame and hang to desired height while the other two people lift the plywood with crystal frame attached. Slide cable into glider and allow it to play out of the bottom of the frame temporarily. To adjust height depress the glider until the cable is released to move the frame up and down the cable. Loosen the screw collar and allow the screw collar, mirror and metal canopy from the canopy assembly to lower. An assistant is recommended for raising and lowering of the fixture. Feed stem wire through stem wire hole in mirror and metal canopy (the smaller hole). When chandelier is at desired height, trim stem wire and connect ground wire (marked with green tracer) and power wires (black or white tracers) in outlet box. Raise metal canopy and mirror to ceiling and secure to running thread with the screw collar. Supplied on stem wire are 4 cable grips. Adjust along stem wire and clip to support cable as desired. Cut suspension cable with cable cutters 1" from the side hole.
- 7** Cut zip ties from plywood and discard. Remove plywood by carefully lifting up off the frame and sliding the support cable and stem wire through slot provided. Remove protective tubing from top of frame and discard.
- 8** Plug bulbs carefully but completely into sockets. Use G9 JCD bulbs in sockets. Only use bulbs marked "suitable for open luminaires" OR bearing this symbol: 
- 9** Attach finial N10704 to the bottom of the frame by hooking the top connector through metal frame.

REPLACING CRYSTAL:

If a crystal breaks, you'll see a bare pin sticking out of a hole in the framework.

