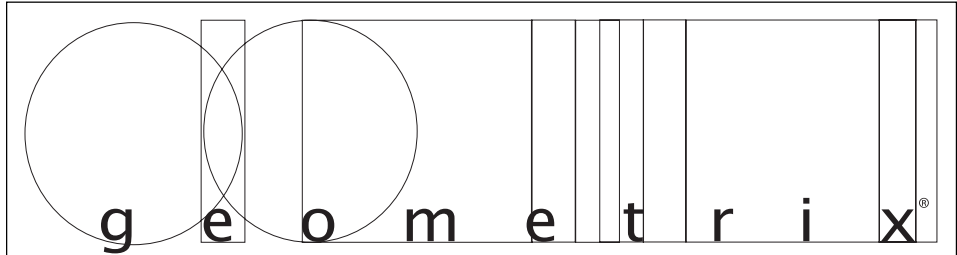
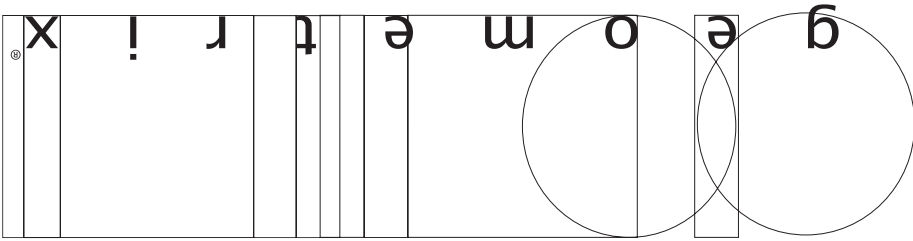




Important: Label on back contains important information on your crystal color. Please save in case you ever need to order matching crystal.  
 Approved for installation on WAC housing model numbers HR-8401E and HR-8402E ONLY

Trim Diagram  
 Recessed Vertex® VCR431\*\*



Trim Diagram  
 Recessed Vertex® VCR431\*\*



1 Light  
 Diameter: 3½", Height: 1"

Geometrix™ is designed by Schonbek with Strass® crystal by Swarovski.



This design is the proprietary trade dress/trademark of Schonbek Worldwide Lighting Inc

Please save your trim diagram for future reference.

IMPORTANT: Label on back contains important information on your crystal color. Please save in case you ever need to order matching crystal.

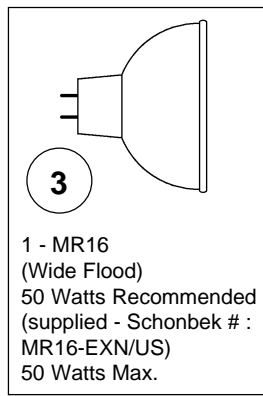


Schonbek Worldwide Lighting Inc., 61 Industrial Blvd., Plattsburgh NY 12901-1908  
 Tel: 800.836.1892 or 518.563.7500 www.schonbek.com

© 2005 SCHONBEK WORLDWIDE LIGHTING INC., A. SCHONBEK & CO. LTD. WORLDWIDE COPYRIGHT RESERVED

US PATENT #D522,169, #D522,687, #D522,685, #7,101,065 & #7,347,594





Approved for installation on WAC housing model numbers HR-8401E and HR-8402E ONLY

**How to Install MR16 Bulb and Recessed Vertex®:**

Recessed fixtures are mounted to the ceiling by miniature low voltage construction housing. These fixtures are only compatible with non-insulated construction housings manufactured for Schonbek by W.A.C.

**1** Always turn off power to fixture. Follow instructions provided with the housing.

**2** Unscrew trim ring and add mounting washer. Screw trim ring with mounting washer inside back onto recessed lamp holder.

**3** Plug bulb carefully but completely into socket. Use only an MR16 lamp (glass covered lamp bulb not required).

**4** Place glass cover into the top of the recessed lamp holder. Seat bulb into the recessed lamp holder.

**5** Squeeze spring steel legs of recessed lamp holder inward and push trim assembly up until the recessed lamp holder is flush with ceiling.

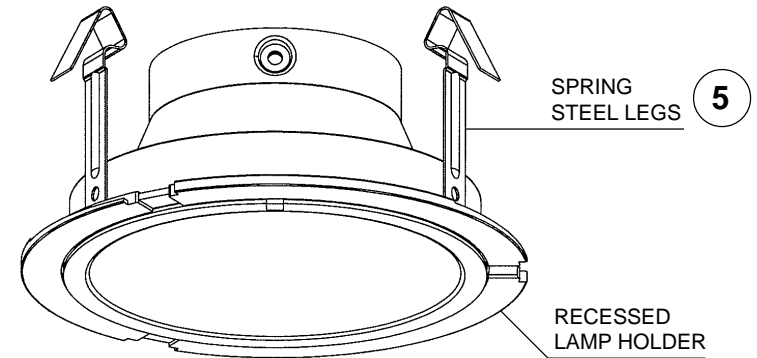
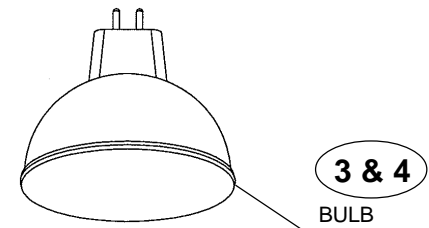
**6** Mount crystal shade by holding shade up against the shade support ring and turning clockwise, seating (3) pins into (3) pin slots.

**REPLACING CRYSTAL:**  
If a crystal breaks, you'll see a bare pin sticking out of a hole in the framework.

**A** Straighten pin outward.

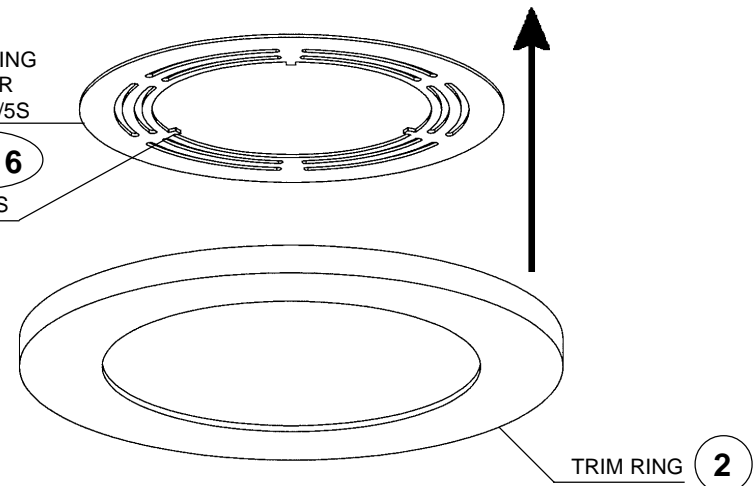
**B** Slide crystal octagon inward and push trim assembly up until the recessed lamp holder is flush with ceiling.

**C** Bend back into frame to secure crystal in place.



MOUNTING WASHER  
#42/101/5S

**2 & 6**  
(3) PINS



(3) PIN SLOTS

