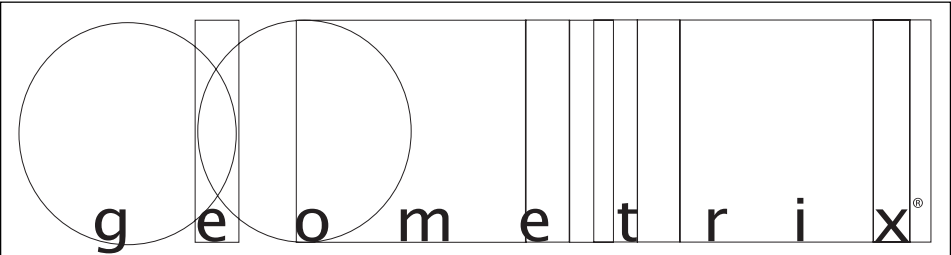
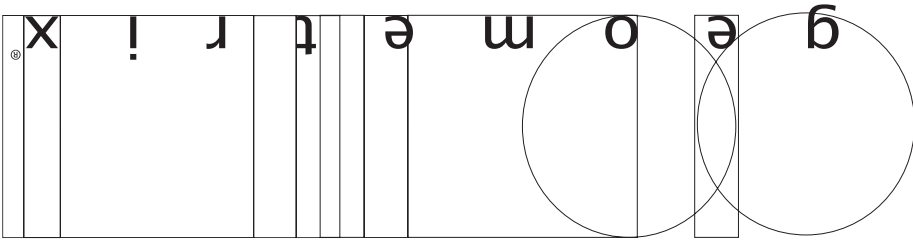
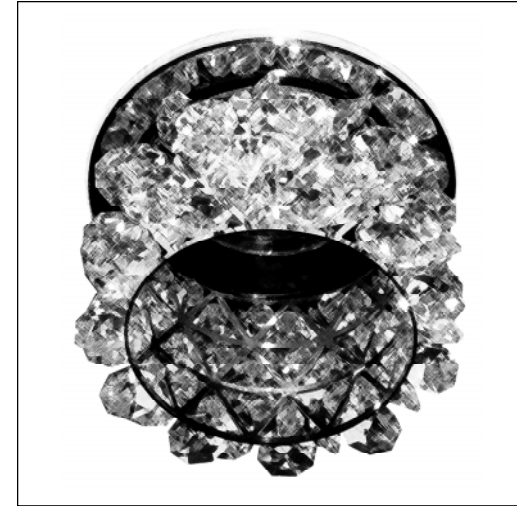


Trim Diagram
Recessed Vertex® VCR033**

Important: Label on back contains important information on your crystal color. Please save in case you ever need to order matching crystal.



Trim Diagram
Recessed Vertex® VCR033**



1 Light
3½" x 2½"

Geometrix™ is designed by Schonbek with Strass® crystal by Swarovski.



This design is the proprietary trade dress/trademark of Schonbek Worldwide Lighting Inc

Please save your trim diagram for future reference.

IMPORTANT: Label on back contains important information on your crystal color. Please save in case you ever need to order matching crystal.

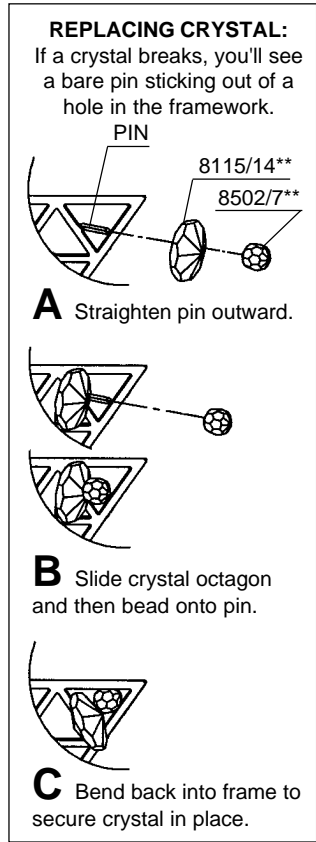
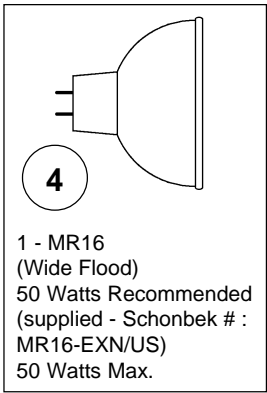


Schonbek Worldwide Lighting Inc., 61 Industrial Blvd., Plattsburgh NY 12901-1908
Tel: 800.836.1892 or 518.563.7500 www.schonbek.com

© 2005 SCHONBEK WORLDWIDE LIGHTING INC., A. SCHONBEK & CO. LTD. WORLDWIDE COPYRIGHT RESERVED

US PATENT #D522,169, #D522,687, #D522,685, #7,101,065 & #7,347,594





How to Install MR16 Bulb and Recessed Vertex®:

Recessed fixtures are mounted to the ceiling by miniature low voltage construction housing. These fixtures are only compatible with construction housings manufactured for Schonbek by W.A.C.

- 1** Always turn off power to fixture. Follow instructions provided with the housing.
- 2** Squeeze spring steel legs of trim ring inward and push trim assembly up until trim ring is flush with ceiling.
- 3** Remove retaining ring from trim ring.
- 4** Plug bulb carefully but completely into socket. Use only an MR16 lamp (glass covered lamp bulb not required).
- 5** Place glass cover over bulb. Seat bulb against trim ring and reattach retaining ring to trim ring to hold bulb and cover up.
- 6** Mount crystal shade by holding shade up against the trim ring and turning clockwise, seating (3) pins into (3) pin slots.

