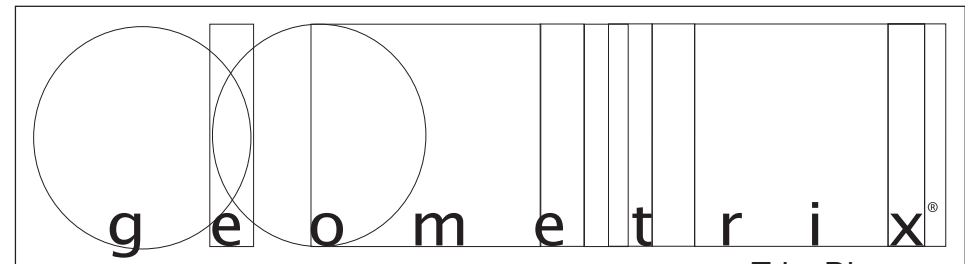
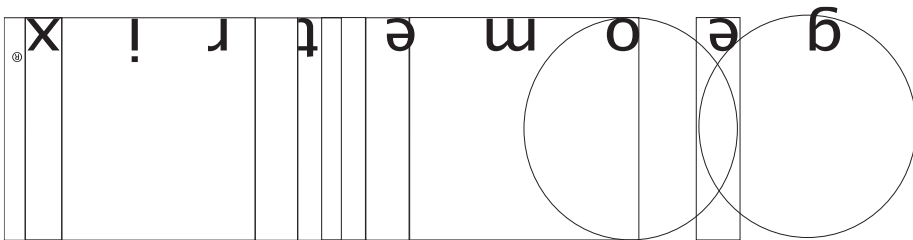
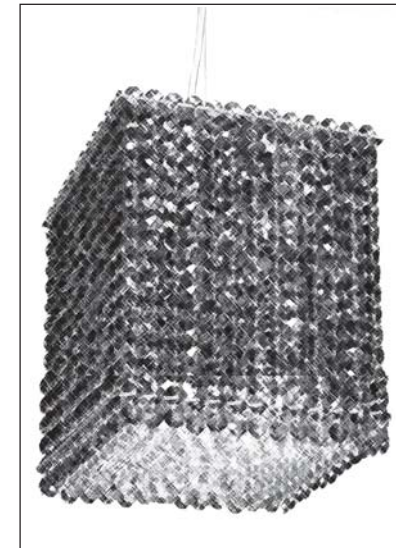


Trim Diagram  
Matrix MT0810A

Important: Label on back contains important information on your crystal color. Please save in case you ever need to order matching crystal.



Trim Diagram  
Matrix Pendant MT0810A



4 Lights  
Length: 8", Width: 8", Height:  
10"

Geometrix™ is designed by Schonbek with Swarovski Spectra® crystal.



This design is the proprietary trade dress/trademark of Schonbek Worldwide Lighting Inc.

Please save your trim diagram for future reference.

IMPORTANT: Label contains important information on your crystal. Please save in case you ever need to order matching crystal.

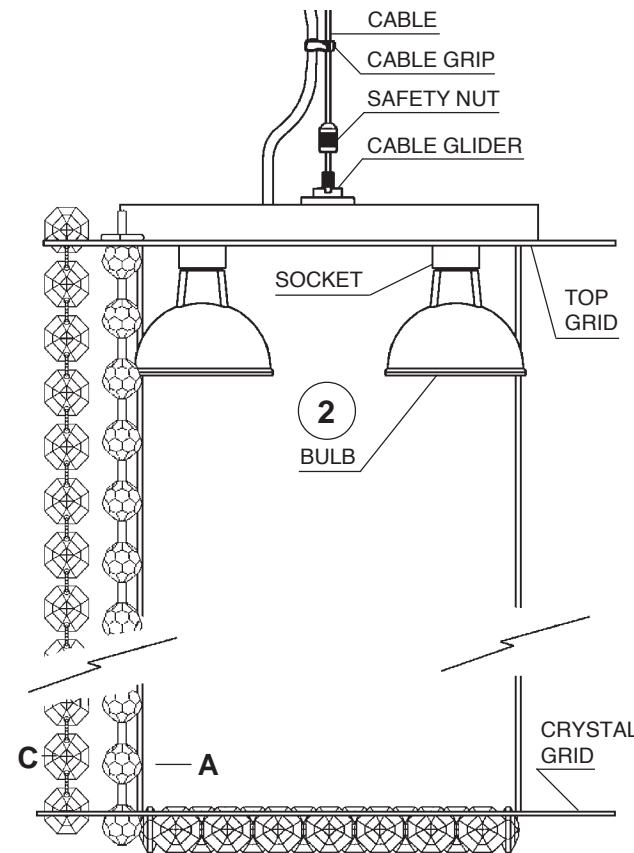
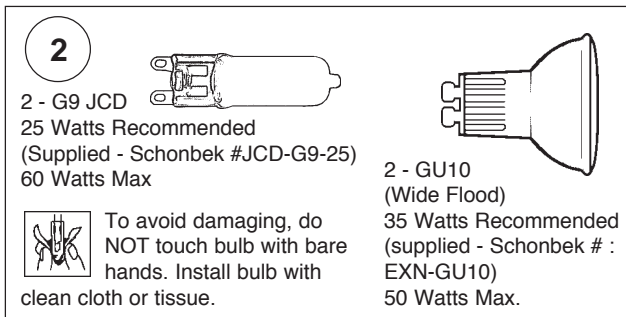
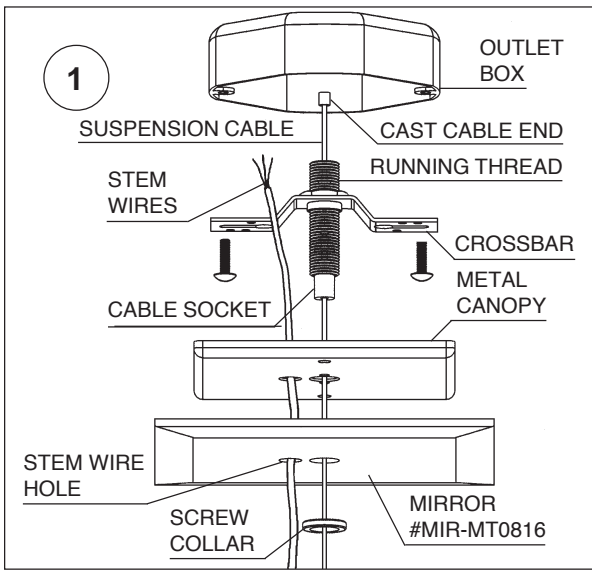


Schonbek Worldwide Lighting Inc., 61 Industrial Blvd., Plattsburgh NY 12901-1908  
Tel: 800.836.1892 or 518.563.7500 www.schonbek.com

© 2004 SCHONBEK WORLDWIDE LIGHTING INC., A. SCHONBEK & CO. LTD. WORLDWIDE COPYRIGHT RESERVED

US PATENT 6,712,490 B2 & #D523,579 / CANADIAN DESIGN © #109751





**How to Install GU10 & G9 Bulb and Matrix™ Chandelier:**

**1** Remove the screw collar, mirror, metal canopy from the canopy assembly and attach crossbar (with running thread attached) to outlet box. Feed suspension cable through running thread from the top so that the cast cable end is seated in the inside of the cable socket. Attach crossbar to the outlet box with cable hanging down. Feed suspension cable through the center hole (larger hole) of the canopy, mirror and then screw collar. The metal canopy must be on top of the mirror. Feed cable into cable glider on chandelier frame and hang to desired height. Loosen the safety nut on the cable glider by turning counter clockwise. Slide cable into glider and allow it to play out of the bottom of the frame temporarily. To adjust height loosen the safety nut and depress it until the cable is released to move the frame up and down the cable. Feed stem wire through stem wire hole in mirror and metal canopy (the smaller hole). When chandelier is at desired height, trim stem wire and connect ground wire (marked with green tracer) and power wires (black or white tracers) in outlet box. Raise metal canopy and mirror to ceiling and secure to running thread with the screw collar. Supplied on stem wire are 4 cable grips. Adjust along stem wire and clip to support cable as desired. Cut suspension cable with cable cutters leaving about 3/16" protruding from the bottom of the frame.

**2** Plug bulbs carefully but completely into sockets. Use only GU10 base bulb in top sockets. Use G9 JCD bulbs inside sockets. Only use bulbs marked "suitable for open luminaires" OR bearing this symbol:

**3** Install bottom crystal grid with four thumb nuts (already screwed onto grid) to bottom of the chandelier.

**4** Hang A bead chains first, following the Crystal Color Map. Drop strands of crystal beads through slots in top grid.

**5** Grasp C chain of crystal by the top crystal. Slip chain through side opening of the top grid slit. It will nest into position between the top and second crystal. IMPORTANT: Be sure to thread bottoms of crystal octagon chains into slits in bottom grid (see Detail) to secure them in place.

