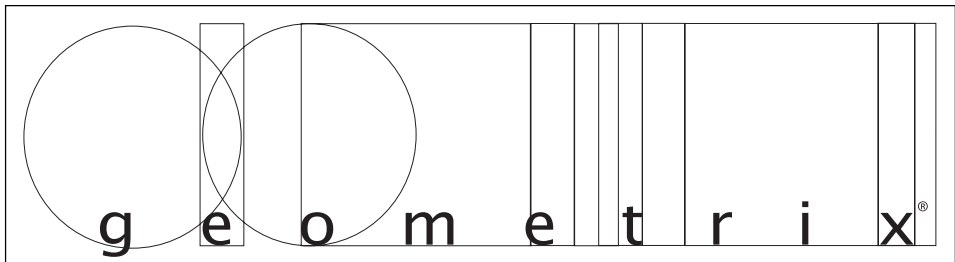
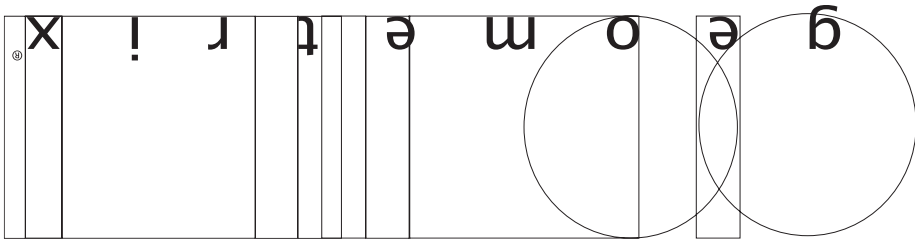
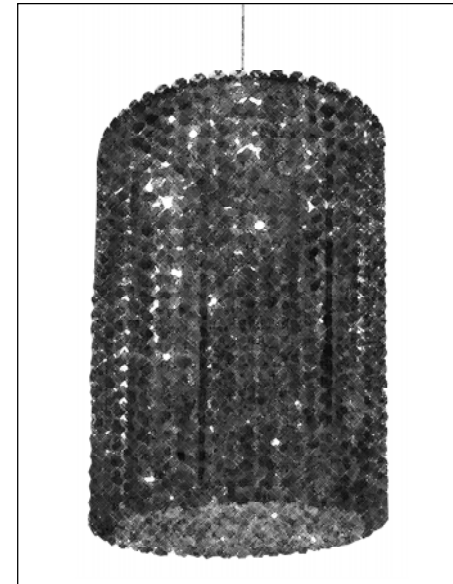


Trim Diagram
Matrix MC1016**

Important: Label on back contains important information on your crystal color. Please save in case you ever need to order matching crystal.



Trim Diagram
Matrix Pendant MC1016**



4 Lights
10" x 16"

Geometrix™ is designed by Schonbek with Strass® crystal by Swarovski.



This design is the proprietary trade dress/trademark of Schonbek Worldwide Lighting Inc

Please save your trim diagram for future reference.

IMPORTANT: Label on back contains important information on your crystal color. Please save in case you ever need to order matching crystal.

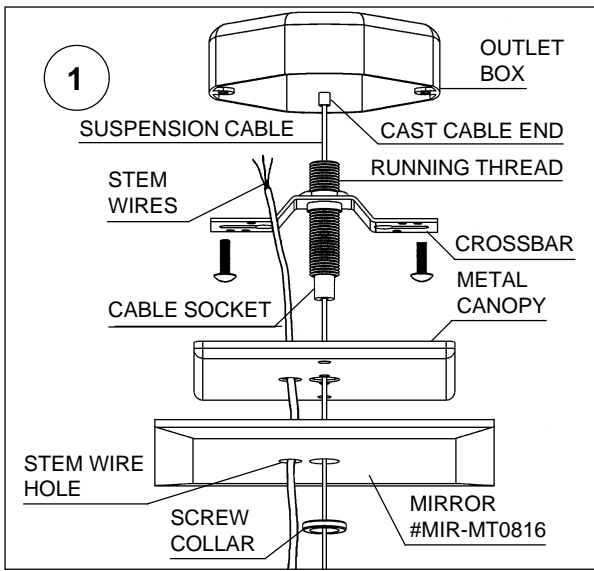


Schonbek Worldwide Lighting Inc., 61 Industrial Blvd., Plattsburgh NY 12901-1908
Tel: 800.836.1892 or 518.563.7500 www.schonbek.com

© 2004 SCHONBEK WORLDWIDE LIGHTING INC., A. SCHONBEK & CO. LTD. WORLDWIDE COPYRIGHT RESERVED

US PATENT 6,712,490 B2 & #D523,169





How to Install G9 Bulb and Matrix™ Chandelier:

1 Remove the screw collar, mirror, metal canopy from the canopy assembly and attach crossbar (with running thread attached) to outlet box. Feed suspension cable through running thread from the top so that the cast cable end is seated in the inside of the cable socket. Attach crossbar to the outlet box with cable hanging down. Feed suspension cable through the center hole (larger hole) of the canopy, mirror and then screw collar. The metal canopy must be on top of the mirror. Feed cable into cable glider on chandelier frame and hang to desired height. Loosen the safety nut on the cable glider by turning counter clockwise. Slide cable into glider and allow it to play out of the side of the cable glider. To adjust height depress the nut until the cable is released to move the frame up and down the cable. Feed stem wire through stem wire hole in mirror and metal canopy (the smaller hole). When chandelier is at desired height, trim stem wire and connect ground wire (marked with green tracer) and power wires (black or white tracers) in outlet box. Raise metal canopy and mirror to ceiling and secure to running thread with the screw collar. Supplied on stem wire are 4 cable grips. Adjust along stem wire and clip to support cable as desired. Cut suspension cable with cable cutters leaving about 3/16" protruding from the bottom of the frame.

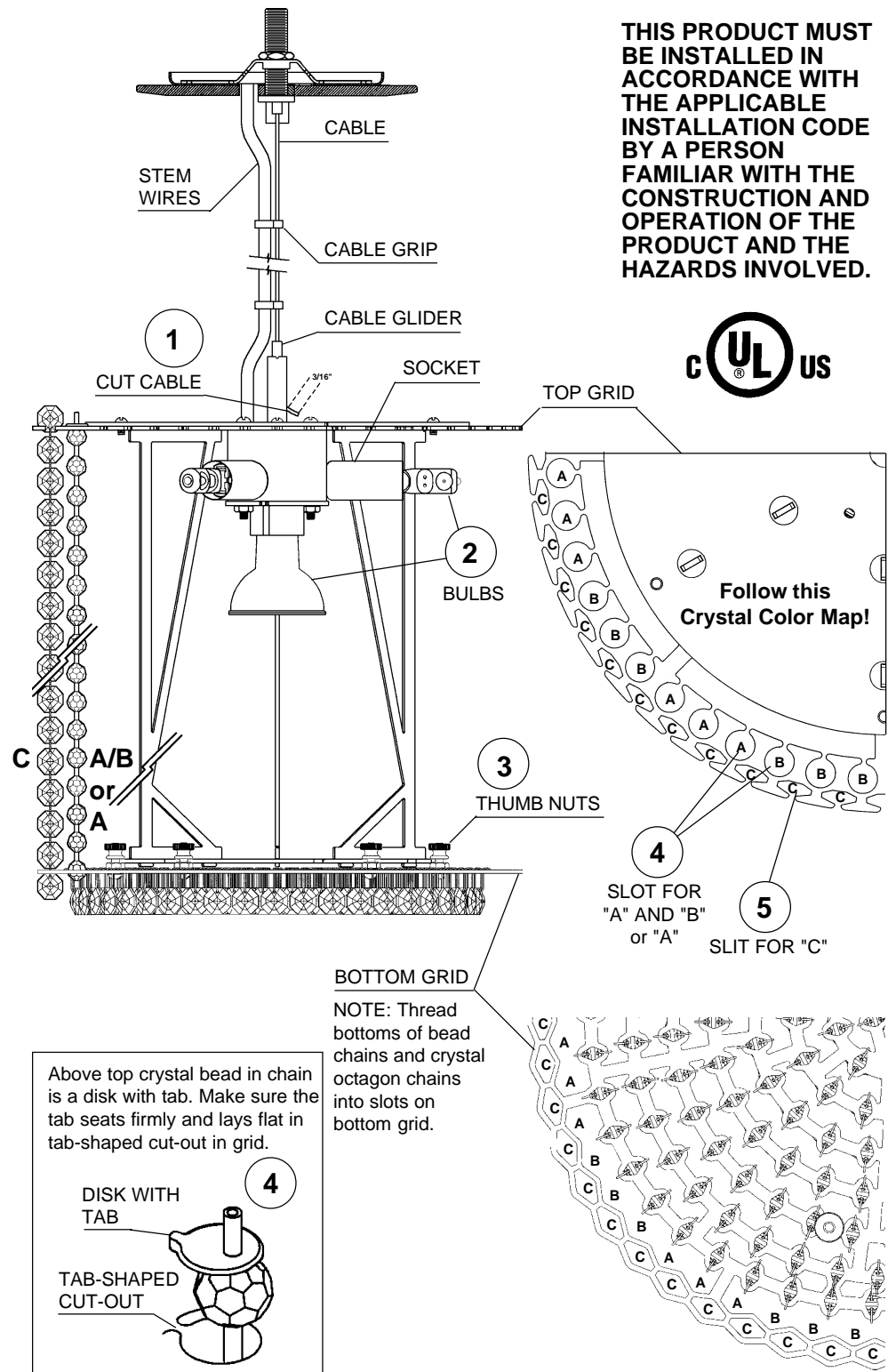
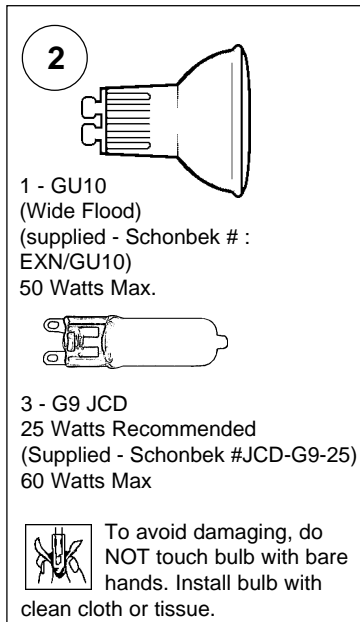
2 Plug bulbs carefully but completely into sockets. Use only GU10 base bulb in bottom socket. Use G9 JCD bulbs in top sockets. Only use bulbs marked "suitable for open luminaires" OR bearing this symbol:

3 Install bottom crystal grid with (4) thumb nuts (already screwed onto grid) to bottom of the chandelier.

4 A For Standard Color trimsets: Hang A and B bead chains first, following the Crystal Color Map. Drop strands of crystal beads through slots in top grid. Make sure to follow A - B pattern shown.

B For Premium Color trimsets: Hang A bead chains first, following the Crystal Color Map. Drop strands of crystal beads through slots in top grid. **IMPORTANT:** Be sure to thread bottoms of crystal bead chains into slots in bottom grid to secure them in place.

5 Grasp C chain of crystal by the top crystal. Slip chain through side opening of the top grid slit. It will nest into position between the top and second crystal. **IMPORTANT:** Be sure to thread bottoms of crystal octagon chains into slits in bottom grid (see Detail) to secure them in place.



THIS PRODUCT MUST BE INSTALLED IN ACCORDANCE WITH THE APPLICABLE INSTALLATION CODE BY A PERSON FAMILIAR WITH THE CONSTRUCTION AND OPERATION OF THE PRODUCT AND THE HAZARDS INVOLVED.

