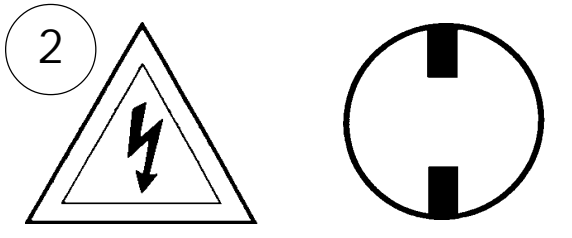


Instructions for electrician  
STEPS 2 - 18

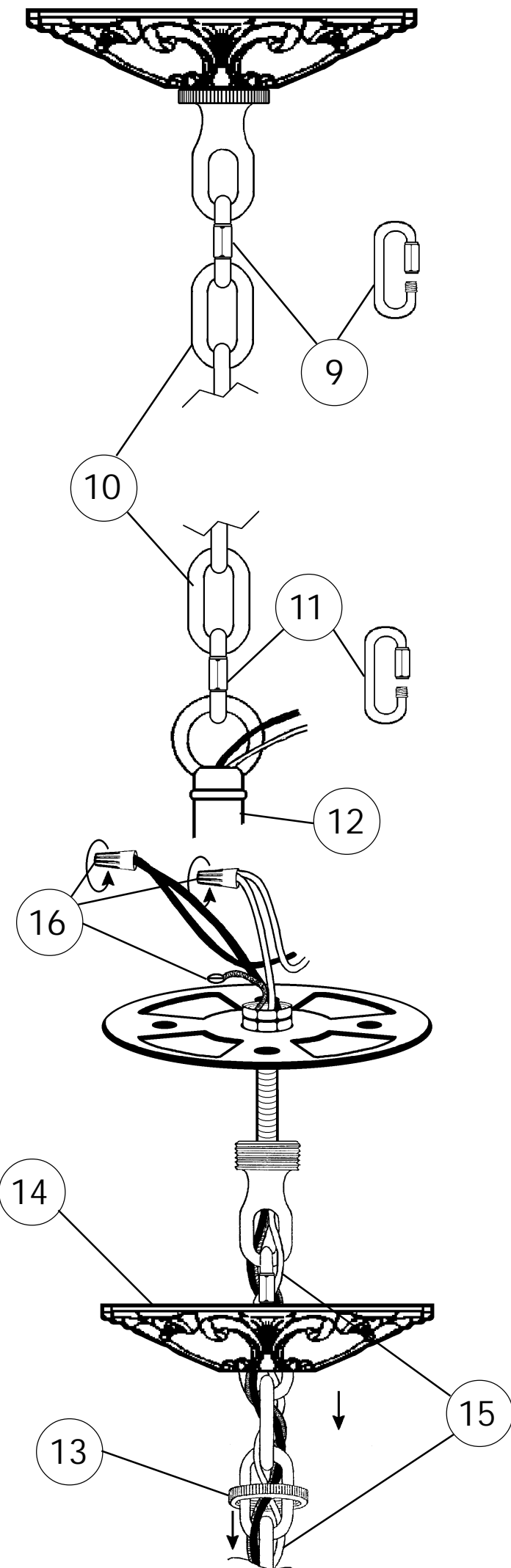
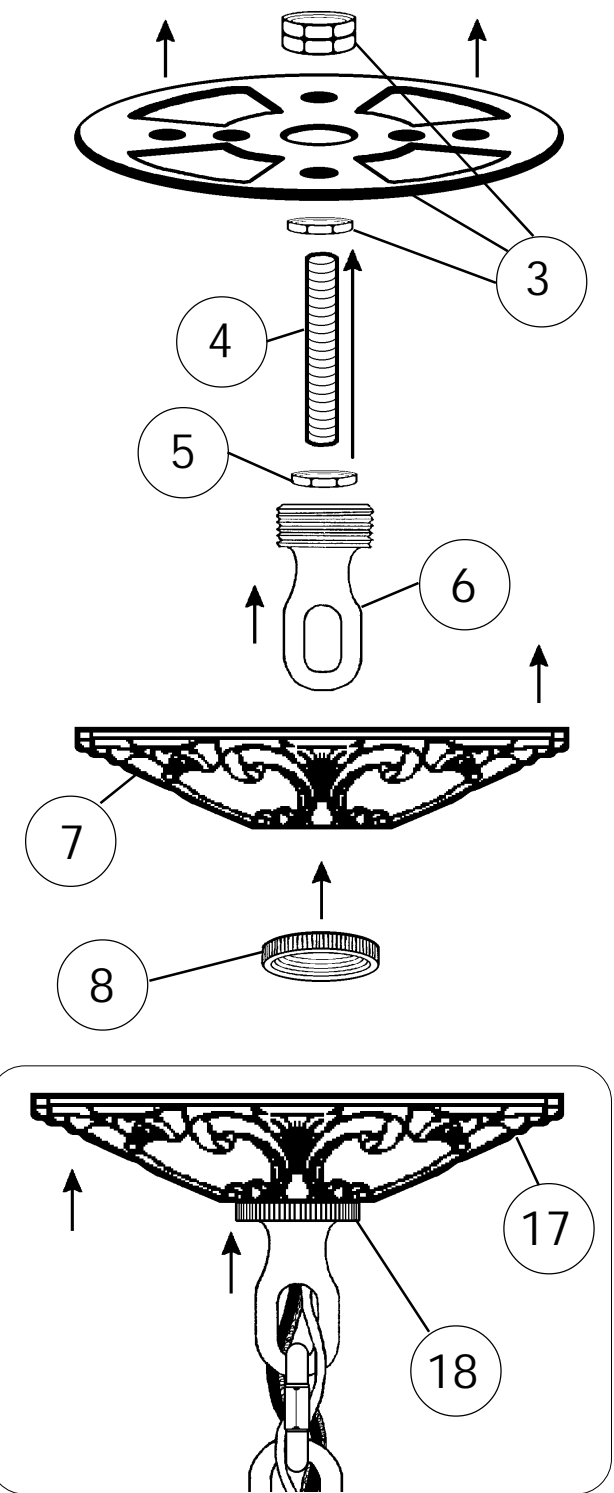
WARNING: THIS LUMINAIRE MUST BE MOUNTED OR SUPPORTED INDEPENDENTLY OF AN OUTLET BOX.

WARNING:



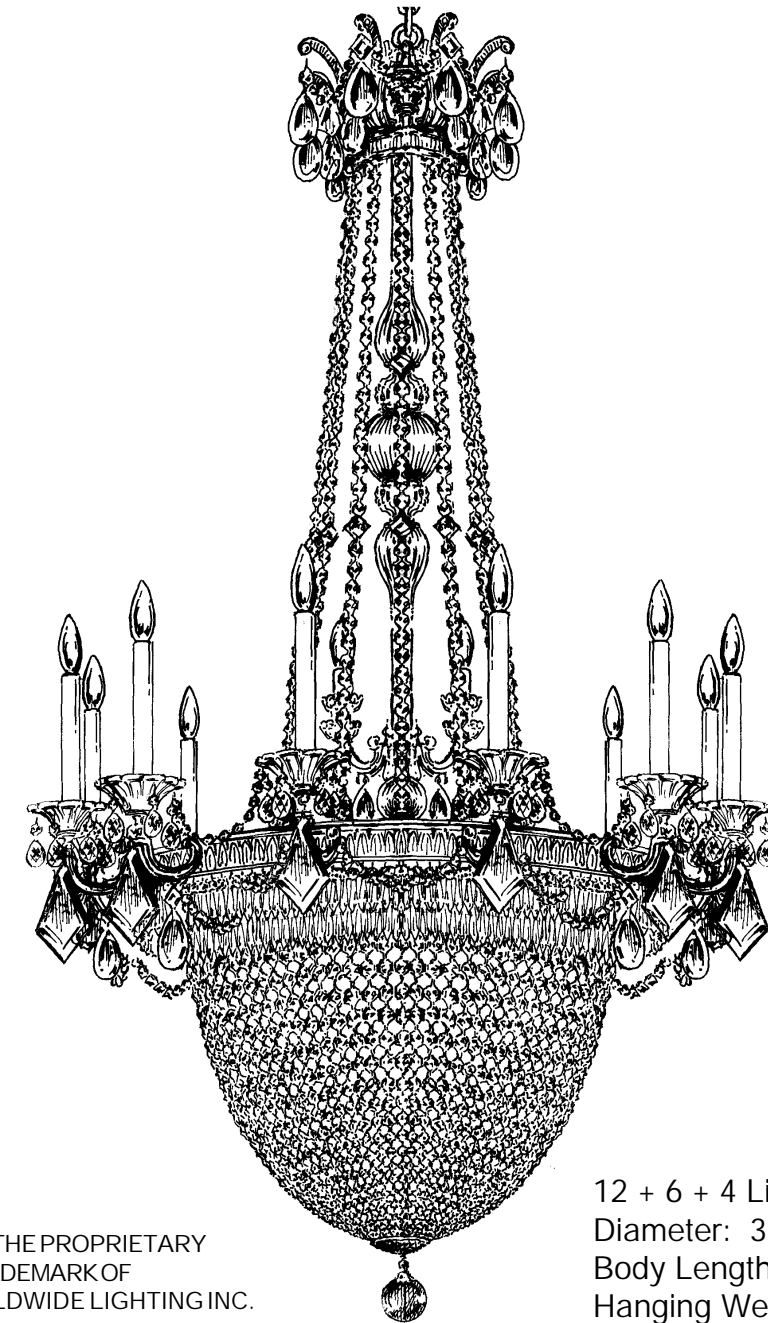
Electrical Danger Turn Power Off

All electrical components must be installed by a licensed electrician in accordance with the National Electric Code and the appropriate local electrical codes.



CHANDELIER 5082- \_\_\_\_ TRIM DIAGRAM

(Finish Option)



THIS DESIGN IS THE PROPRIETARY TRADE DRESS/TRADE MARK OF SCHONBEK WORLDWIDE LIGHTING INC.

12 + 6 + 4 Lights  
Diameter: 38"  
Body Length: 67"  
Hanging Weight: 80 lbs.

**SCHONBEK®**

See diagram on back page  
Follow steps in exact order  
Save this trim diagram for future reference

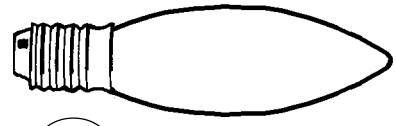
**IMPORTANT**

1 Person who opens carton should record the following information for future service.

CODE # \_\_\_\_\_ Four-digit number on outside of carton.  
PACKER # \_\_\_\_\_ See crystal package label.  
ORDER # \_\_\_\_\_ See crystal package label.

SCHONBEK IS A WORLD LEADER IN CHANDELIER DESIGN. PATENTS INCLUDE: #D5,222,805

Instructions for crystal trimming  
STEPS 19 - 37



19

You will need 22 - C10  
25 Watts Recommended  
60 Watts Max

Install bulbs and be  
sure to test fixture  
BEFORE trimming.

