

# SCHONBEK

1870

# ARABESQUE VX1008N-\_\_ \_\_H



**T**HIS DESIGN IS THE PROPRIETARY TRADE DRESS/TRADEMARK OF SWAROVSKI LIGHTING, LTD.

8 Lights  
Diameter: 39-1/2"  
Height: 26-1/2"  
Hanging Weight: 20lbs.

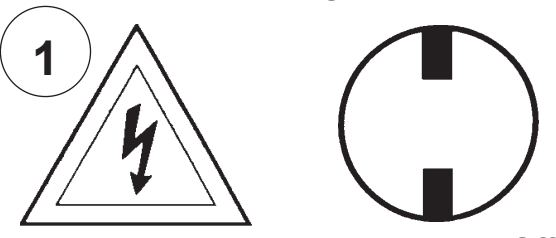
# SCHONBEK

1870

MAX 60 W	110-120 V							

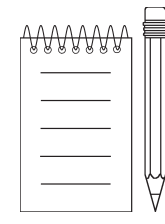
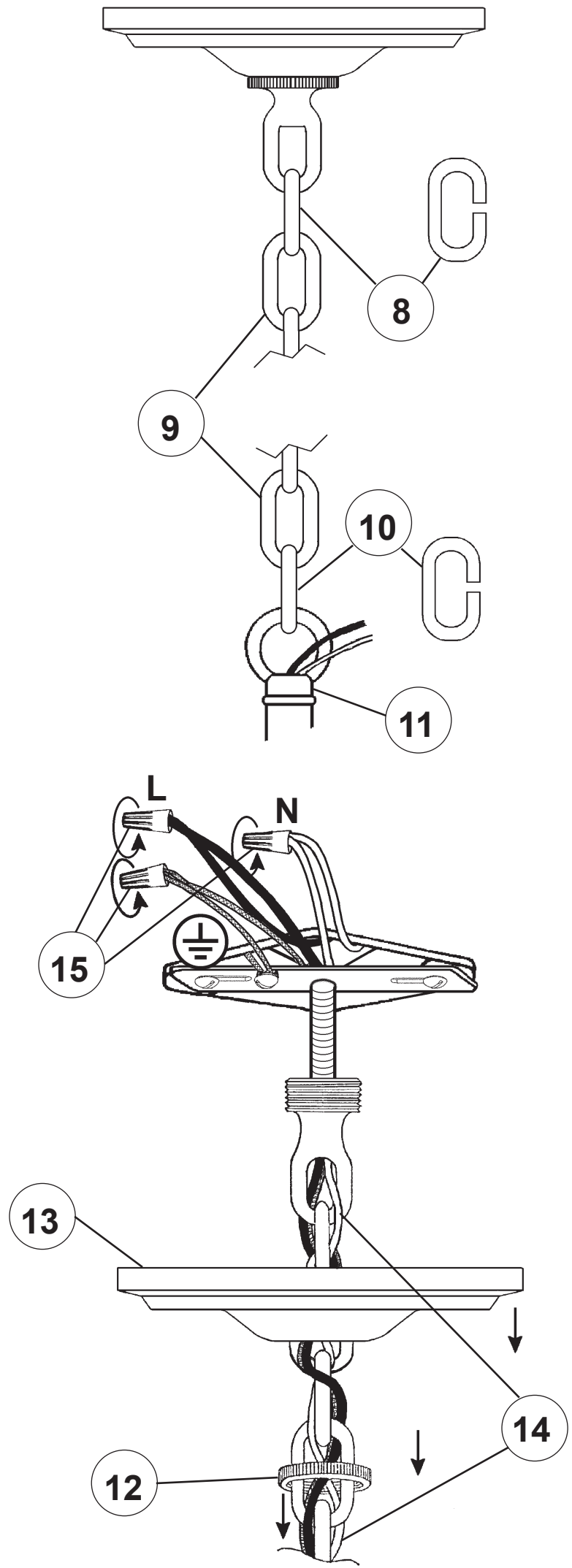
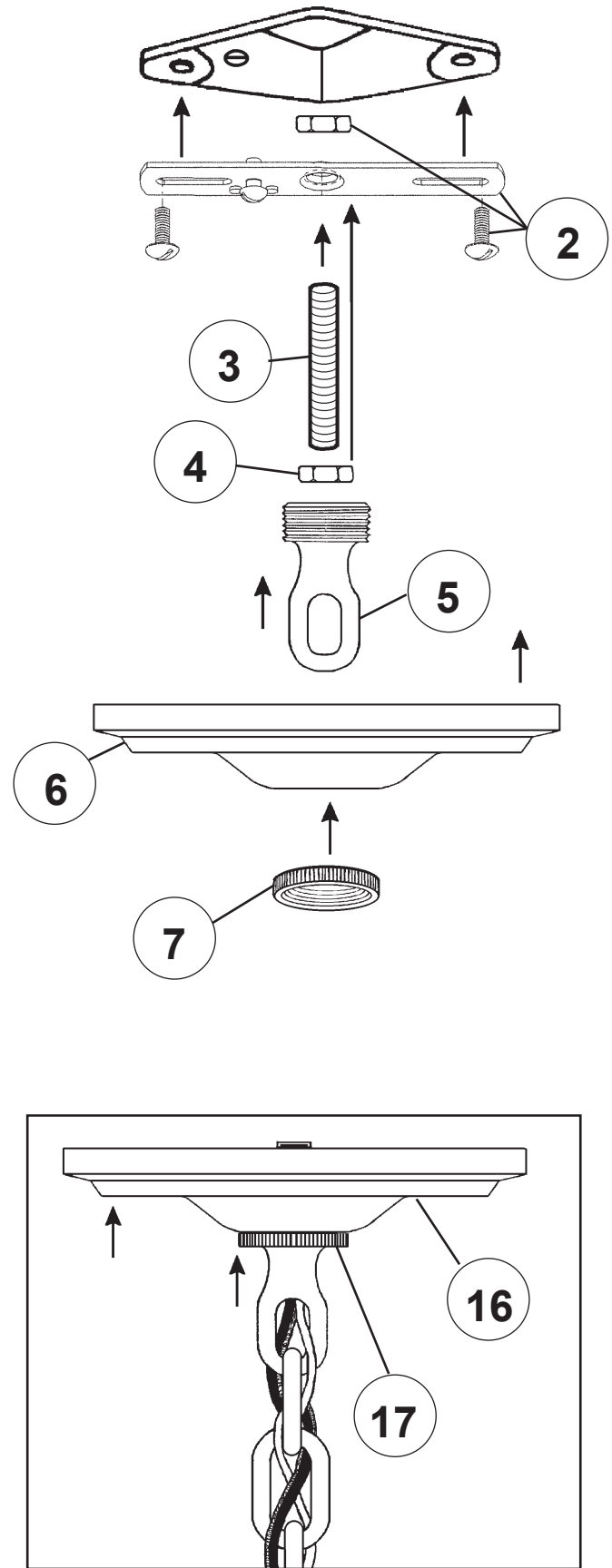
SCHONBEK® is a member of the Swarovski group.

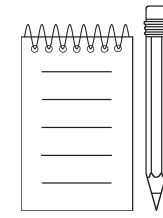
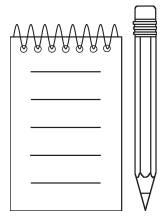
**WARNING:**

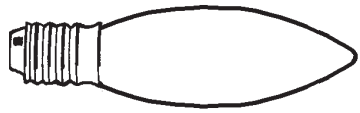
1 

**Electrical Danger Turn Power Off**

All electrical components must be installed by a licensed electrician in accordance with the National Electric Code and the appropriate local electrical codes.







You will need 8 - B10  
60 Watts Max

Install bulbs and be sure to  
test fixture **BEFORE**  
trimming.

