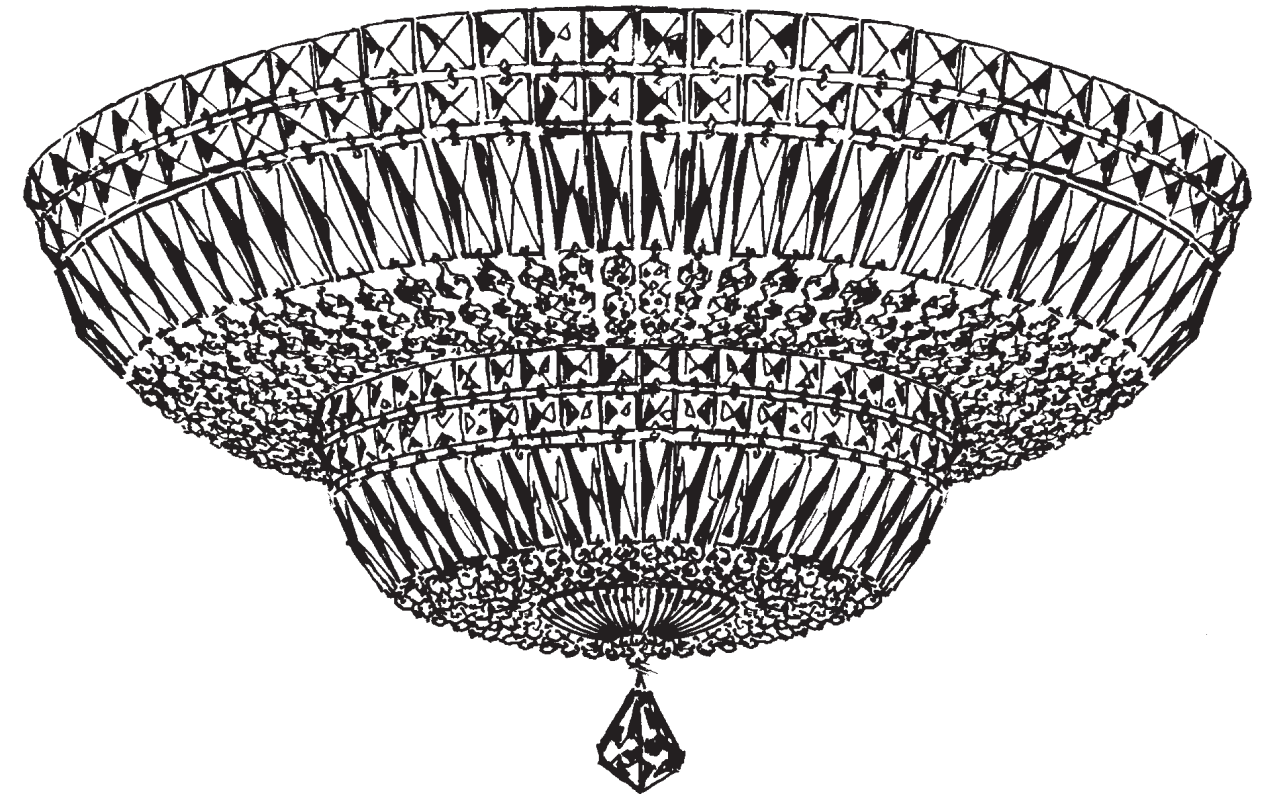


PETIT CRYSTAL DELUXE 5895- __ __ M



13 Lights
Diameter: 24"
Body Length: 12"
Hanging Weight: 24 lbs.

THIS DESIGN IS THE PROPRIETARY
TRADE DRESS/TRADEMARK OF
SWAROVSKI LIGHTING, LTD.



SCHONBEK®

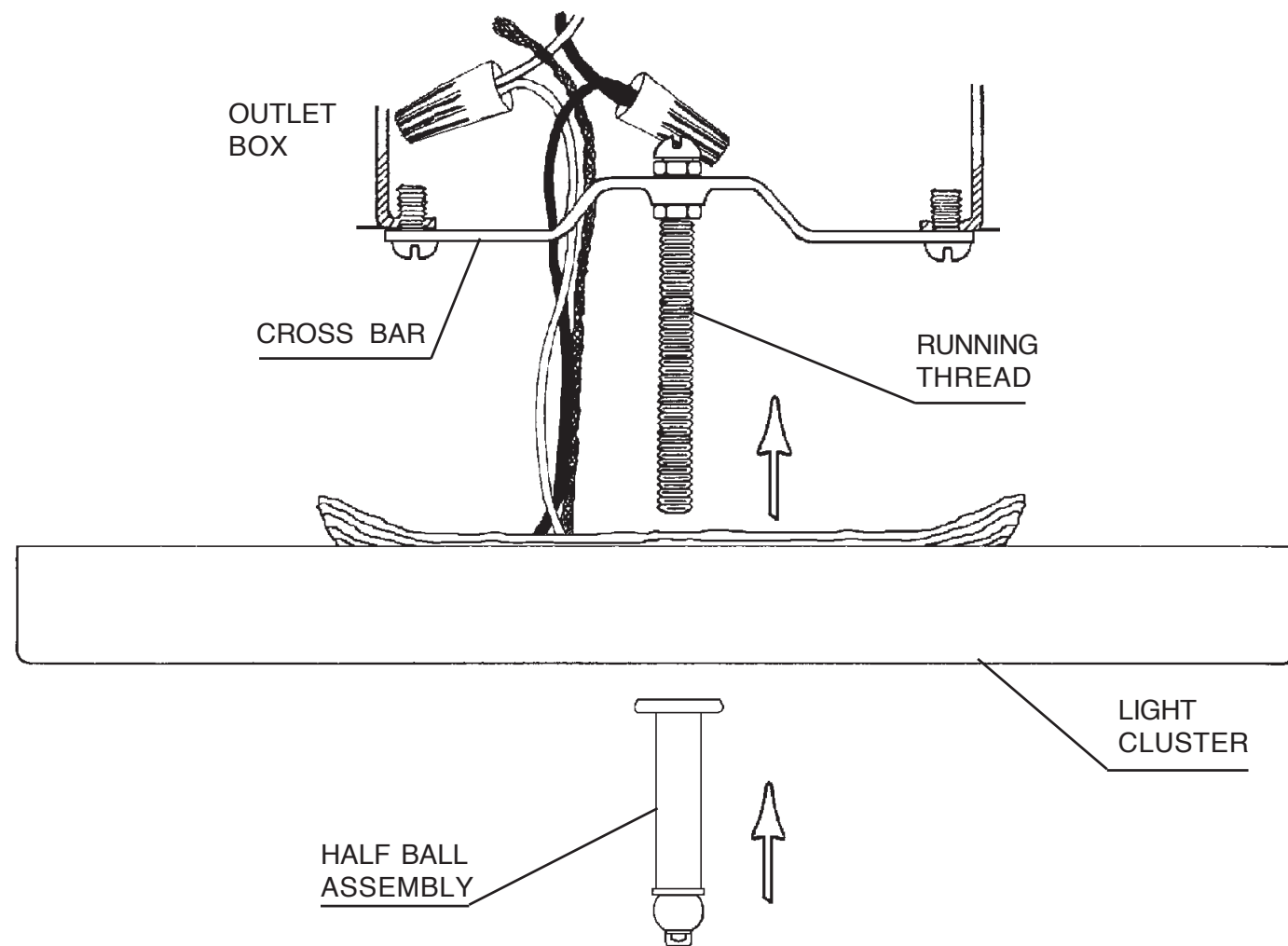


SCHONBEK®

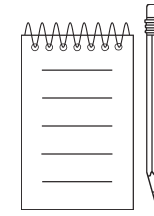
MAX 25 W		110-120 V						

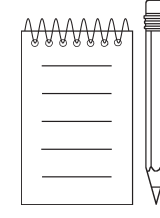
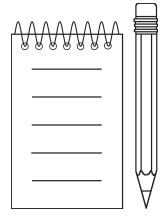
SCHONBEK® is a member of the Swarovski group.

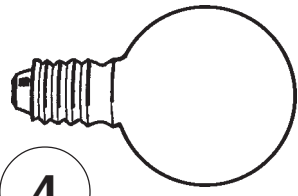
All electrical components must be installed by a licensed electrician in accordance with the National Electric Code and the appropriate local electrical codes.



- 1** Remove crossbar from light cluster and attach to outlet box.
- 2** Feed stem wires through crossbar and attach to power wires in outlet box.
- 3** Place light cluster over thread attached to crossbar and secure with half ball assembly.







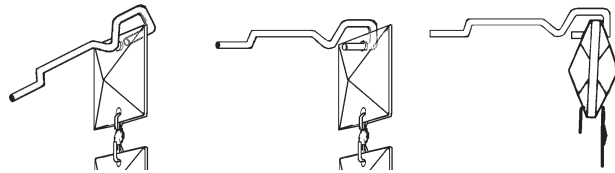
4

You will need 13 - G16-1/2
25 Watts Recommended
25 Watts Max
MIN 75°C SUPPLY
CONDUCTORS

Install bulbs and be sure to
test fixture BEFORE
trimming.



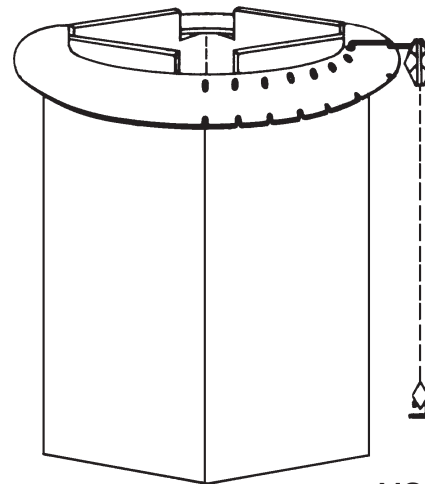
CRYSTAL CHAIN ASSEMBLY



NOTE: There will be a slight resistance
when putting the pin through the top
crystal. Do NOT bend pin or try to scrape
out crystal hole. The resistance holds
the crystal chain on the pin.

5 Assemble all crystal chains and pins provided. See "Crystal Chain Assembly" above. Hang upper gallery Chains "F" FIRST! Set mirror plate on cardboard stand. Hook all Crystal Chains "F" into slots in the mirror plate so the metal accessories face outwards and the square jewel is on the upper end. See illustrations #1 - #3. NOTE: Allow ends with small jewels to hang loose.

6 Align holes in mirror plate with the balls on the frame, raise mirror plate over balls, then turn mirror clockwise until holes are halfway between balls. See illustration #4.



MOUNTING
POINTS

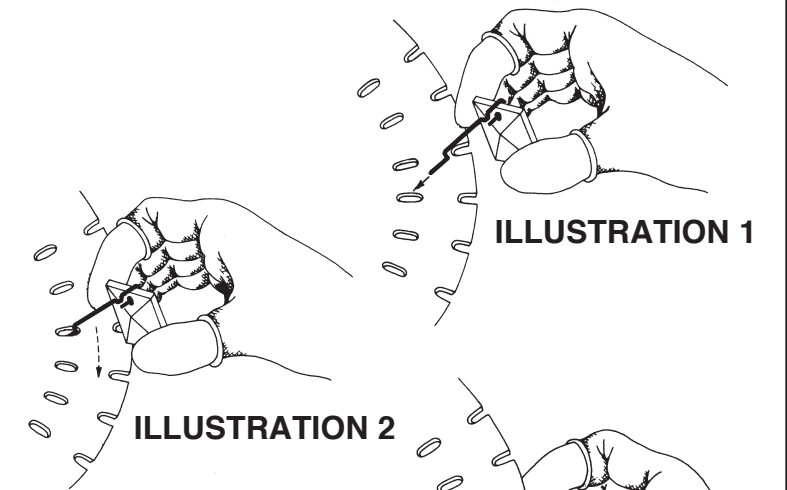


ILLUSTRATION 1

ILLUSTRATION 2

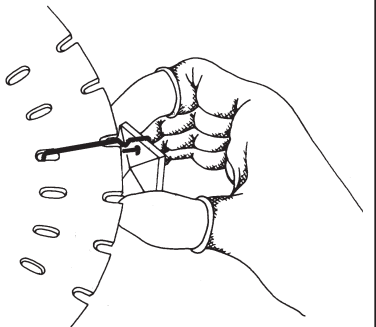


ILLUSTRATION 3

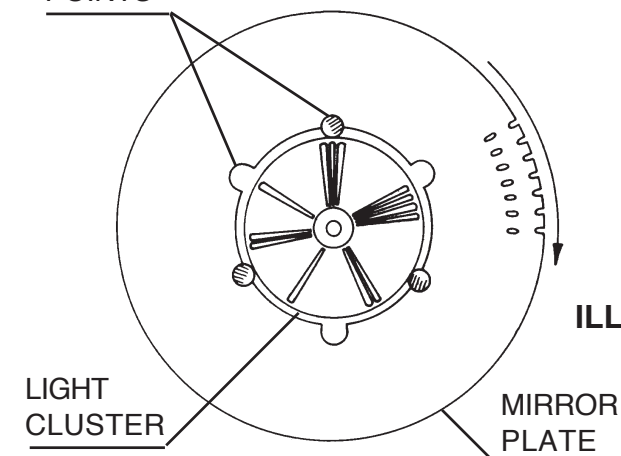
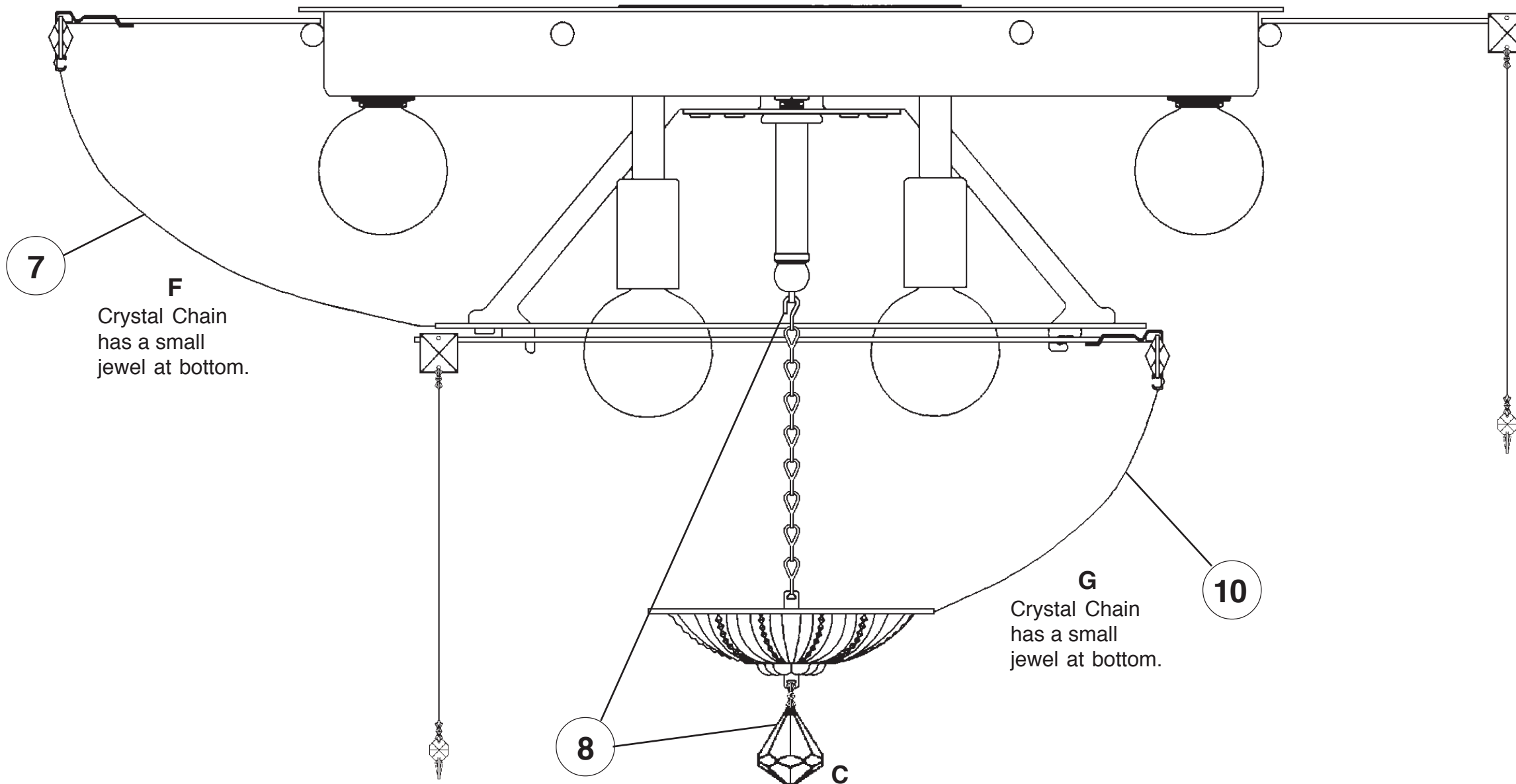


ILLUSTRATION 4

LIGHT
CLUSTER

MIRROR
PLATE



7

F
Crystal Chain
has a small
jewel at bottom.

8

C

G

Crystal Chain
has a small
jewel at bottom.

10

9 Hang lower gallery Chains "G" SEC-
OND! Turn cardboard stand over that
was used for Chains "F" (notches on
bottom and squeeze into a long dia-
mond shape) and then set lower mirror
plate on cardboard stand. Hook all
Chains "G" into slots in the lower mirror
plate so that the metal accessories face
outwards and square jewel is on the
upper end. (See illustrations #1 - #3.)
NOTE: Allow ends with small jewels to
hang loose.