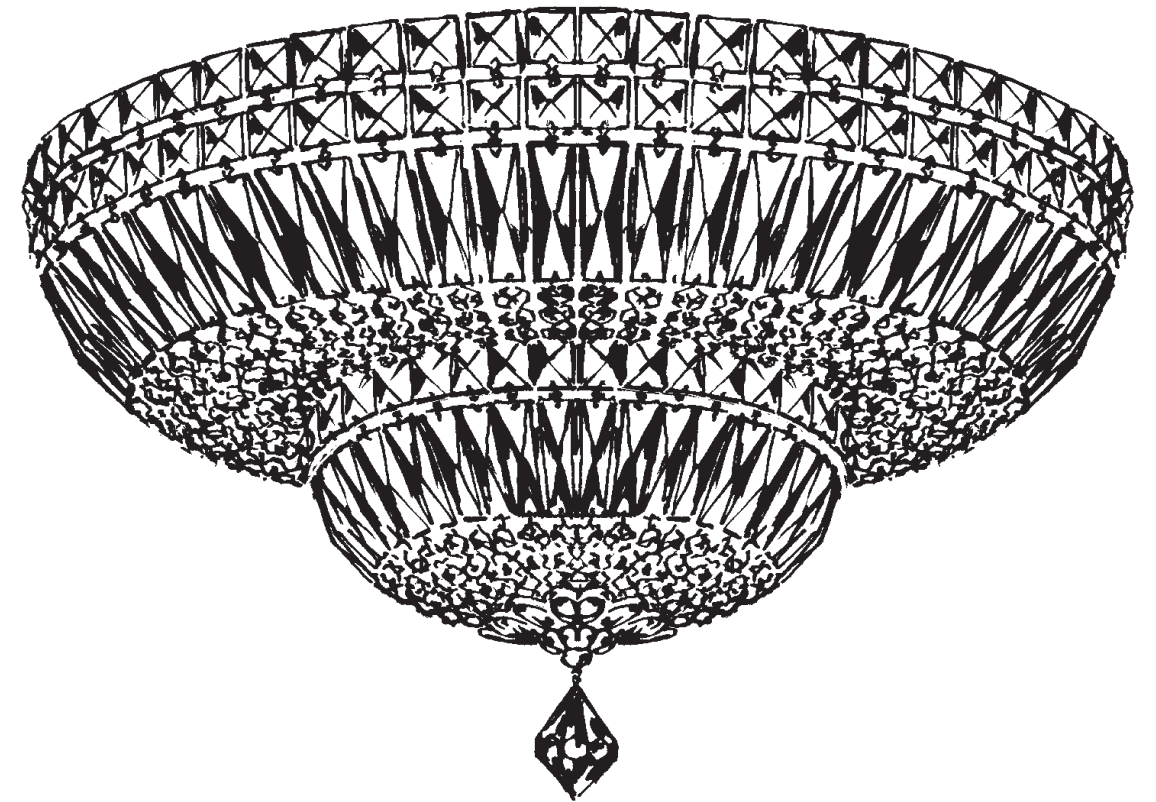


PETIT CRYSTAL DELUXE 5894- __ __M



9 Lights
Diameter: 18"
Body Length: 10"
Hanging Weight: 13 lbs.

THIS DESIGN IS THE PROPRIETARY
TRADE DRESS/TRADemark OF
SWAROVSKI LIGHTING, LTD.



SCHONBEK®

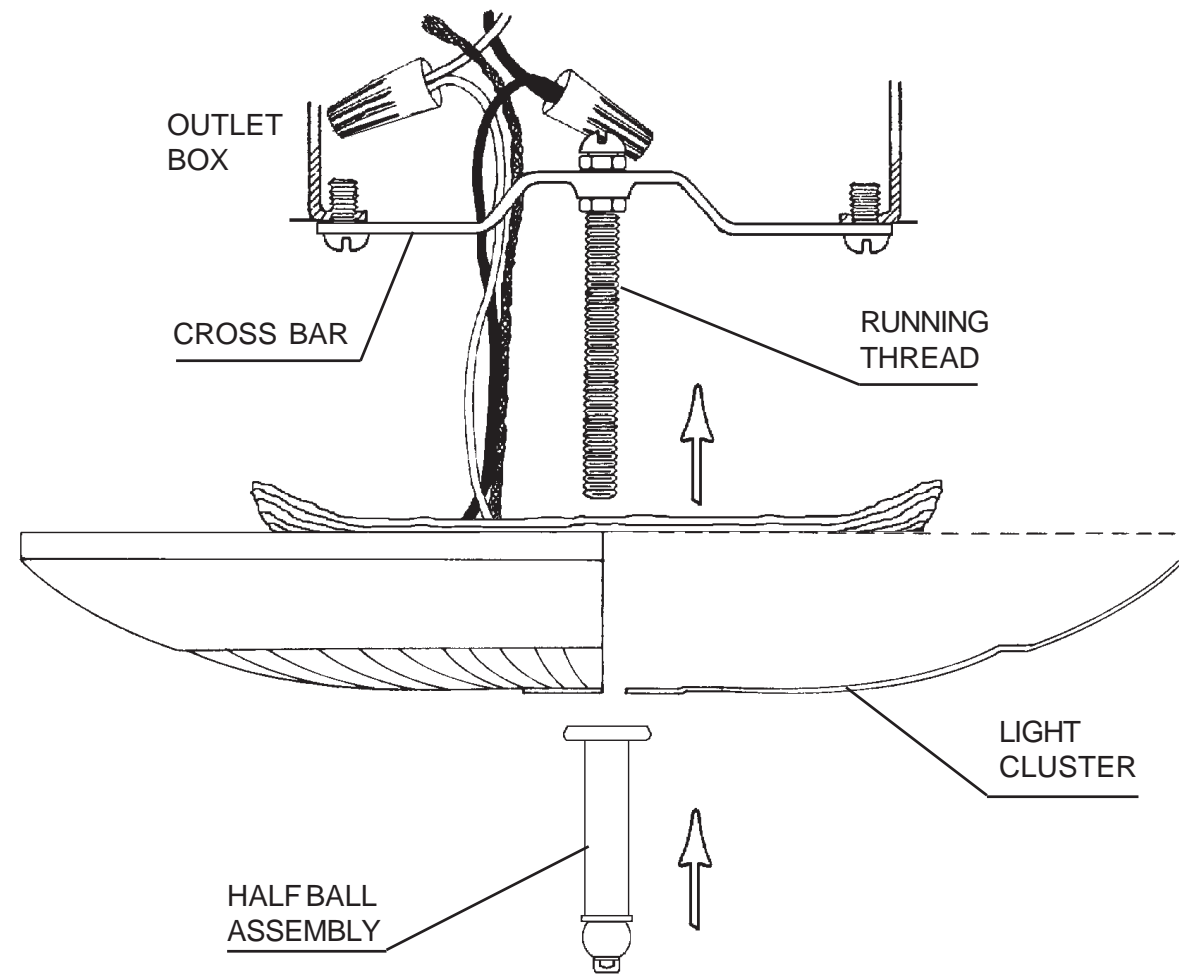


SCHONBEK®

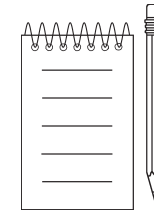
MAX 40 W		110-120 V						

SCHONBEK® is a member of the Swarovski group.

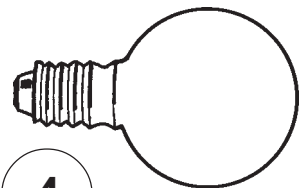
All electrical components must be installed by a licensed electrician in accordance with the National Electric Code and the appropriate local electrical codes.



- 1** Remove crossbar from light cluster and attach to outlet box.
- 2** Feed stem wires through crossbar and attach to power wires in outlet box.
- 3** Place light cluster over thread attached to crossbar and secure with half ball assembly.







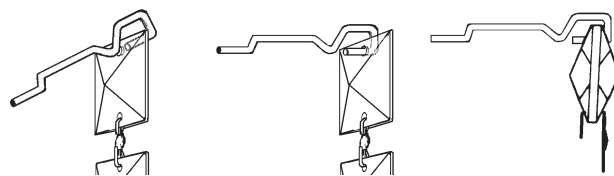
4

You will need 9 - G16-1/2
25 Watts Recommended
40 Watts Max
MIN 75°C SUPPLY
CONDUCTORS

Install bulbs and be sure
to test fixture BEFORE
trimming.



CRYSTAL CHAIN ASSEMBLY



NOTE: There will be a slight resistance
when putting the pin through the top crystal.
Do NOT bend pin or try to scrape out
crystal hole. The resistance holds the
crystal chain on the pin.

5 Assemble all crystal chains and pins
provided. See "Crystal Chain Assembly"
above. Hang upper gallery Chains "F" FIRST!
Set mirror plate on cardboard stand. Hook all
Crystal Chains "F" into slots in the mirror plate
so the metal accessories face outwards and
the square jewel is on the upper end. See
illustrations #1 - #3. NOTE: Allow ends with
small jewels to hang loose.

6 Align holes in mirror plate with the balls on
the frame, raise mirror plate over balls, then
turn mirror clockwise until holes are halfway
between balls. See illustration #4.

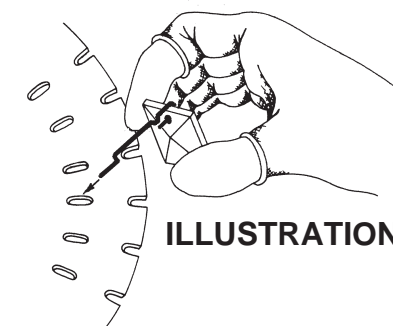
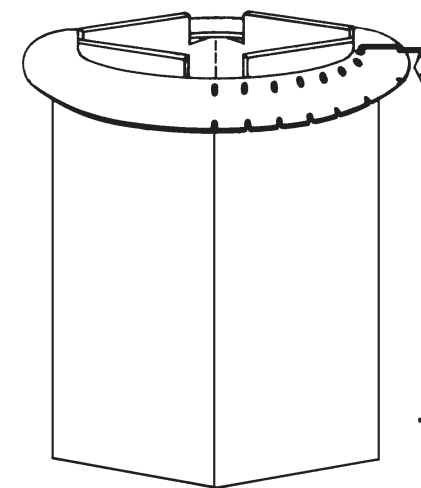


ILLUSTRATION 1

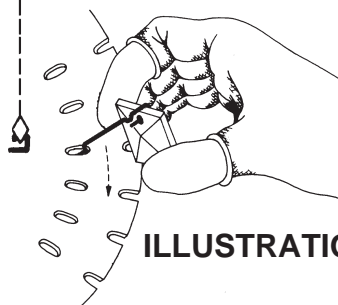


ILLUSTRATION 2

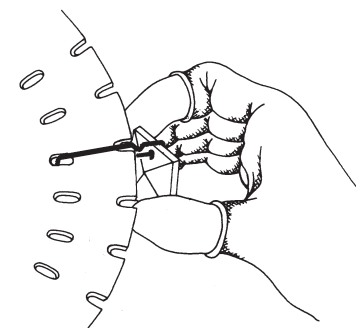


ILLUSTRATION 3

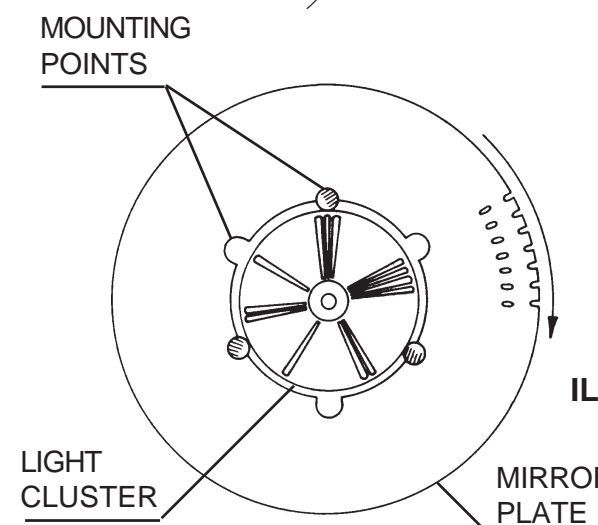
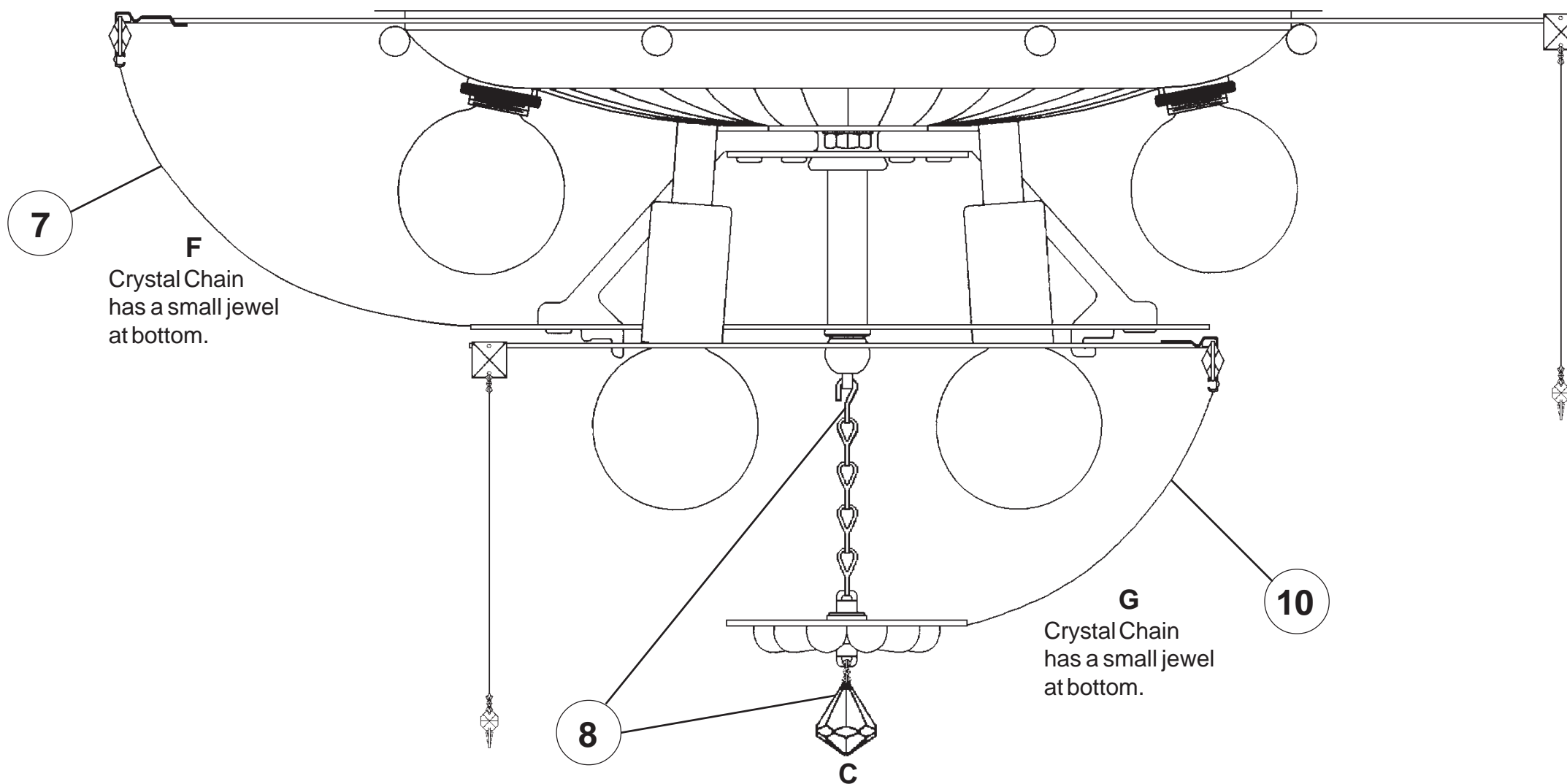


ILLUSTRATION 4



9 Hang lower gallery Chains "G" SEC-
OND! Turn cardboard stand over that was
used for Chains "F" (notches on bottom
and squeeze into a long diamond shape)
and then set lower mirror plate on card-
board stand. Hook all Chains "G" into
slots in the lower mirror plate so that the
metal accessories face outwards and
square jewel is on the upper end. (See
illustrations #1 - #3.) NOTE: Allow ends
with small jewels to hang loose.