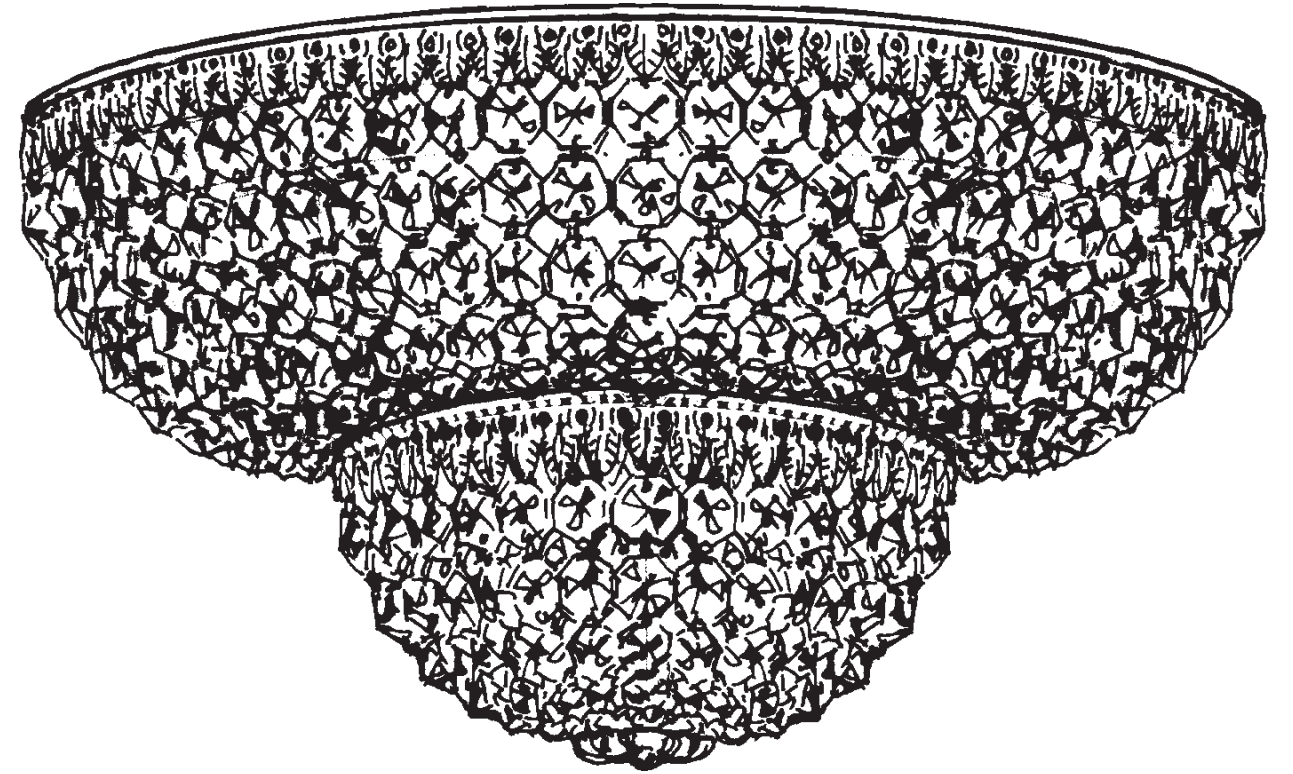


PETITE CRYSTAL 1568- __ __A



9 Lights
Diameter: 18"
Body Length: 9"
Hanging Weight: 8 pounds

THIS DESIGN IS THE PROPRIETARY
TRADE DRESS/TRADemark OF
SWAROVSKI LIGHTING, LTD.



SCHONBEK®

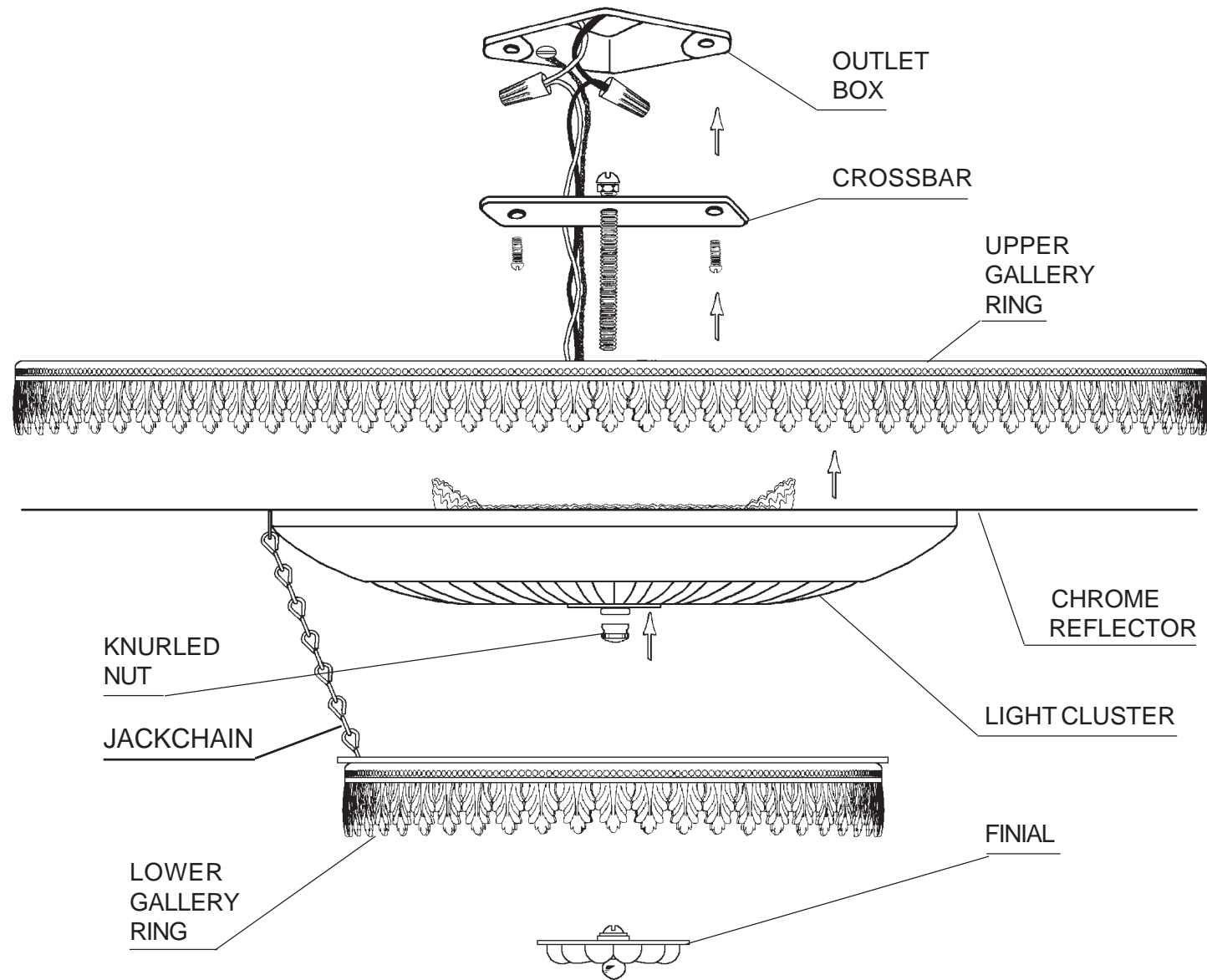


SCHONBEK®

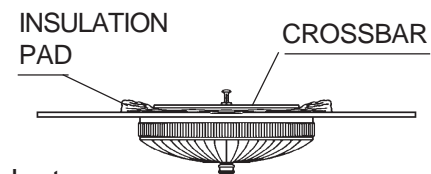
MAX 40 W		110-120 V						

SCHONBEK® is a member of the Swarovski group.

All electrical components must be installed by a licensed electrician in accordance with the National Electric Code and the appropriate local electrical codes.



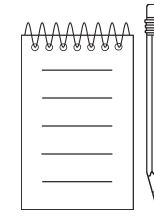
1 Remove crossbar from light cluster and reflector. Attach to outlet box in ceiling.



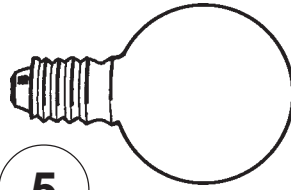
2 Place upper gallery ring over chrome reflector and light cluster. Connect fixture ground wire to grounding screw in outlet box and complete connections of fixture conductors to main power leads. Fixture **MUST** be grounded.

3 Slide assembled parts - upper gallery ring together with chrome reflector (insulation pad above) and light cluster over thread attached to crossbar and secure with knurled nut. Make sure entire assembly is firmly against the ceiling. If the outlet box is not flush with ceiling, it may be necessary to adjust the thread attached to crossbar. Install bulbs and test power to insure proper wiring before hanging trim from fixture.

4 Attach lower gallery ring assembly with three jackchains into the brackets of the light cluster.



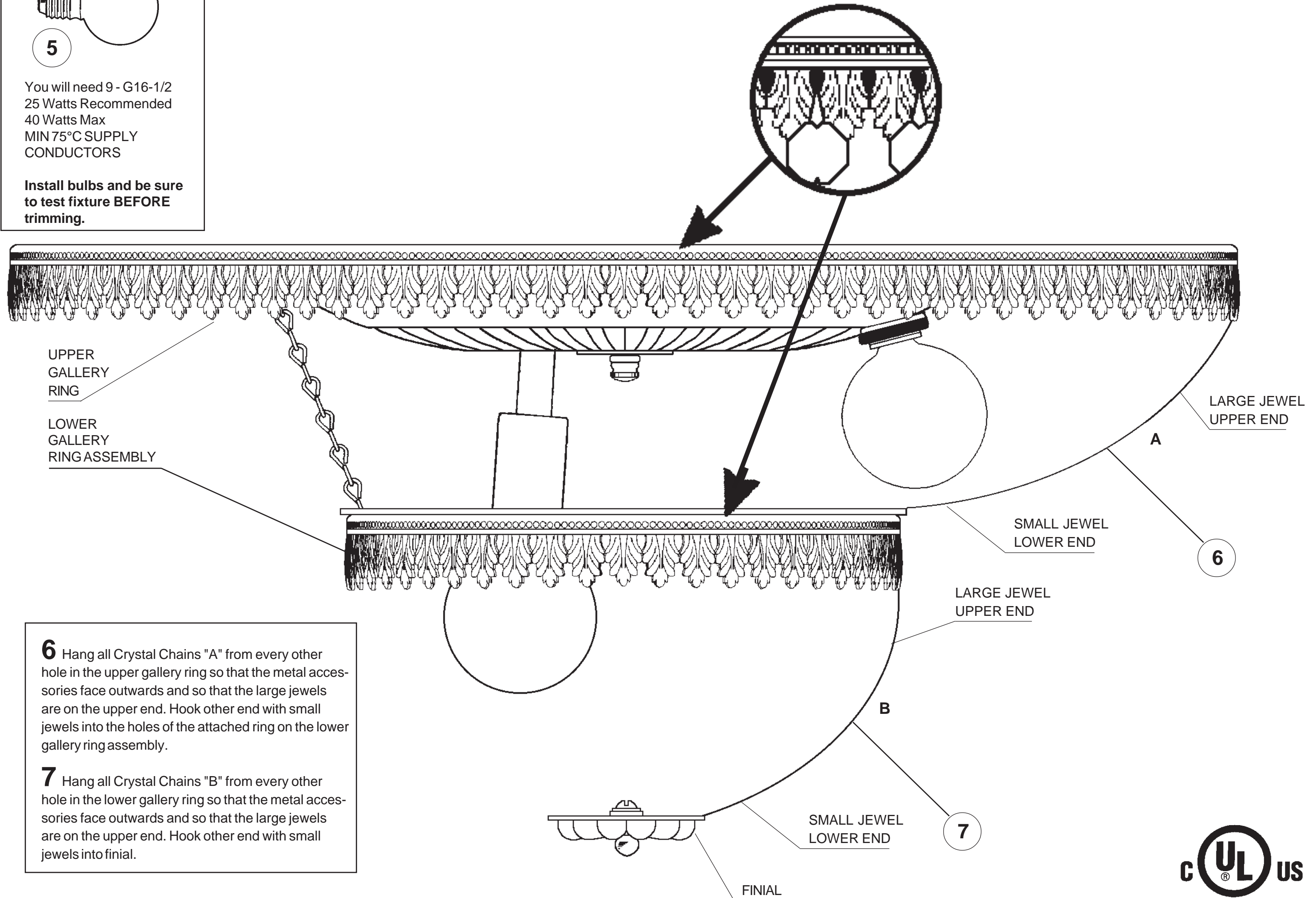




5

You will need 9 - G16-1/2
25 Watts Recommended
40 Watts Max
MIN 75°C SUPPLY
CONDUCTORS

Install bulbs and be sure
to test fixture **BEFORE**
trimming.



6 Hang all Crystal Chains "A" from every other hole in the upper gallery ring so that the metal accessories face outwards and so that the large jewels are on the upper end. Hook other end with small jewels into the holes of the attached ring on the lower gallery ring assembly.

7 Hang all Crystal Chains "B" from every other hole in the lower gallery ring so that the metal accessories face outwards and so that the large jewels are on the upper end. Hook other end with small jewels into finial.

