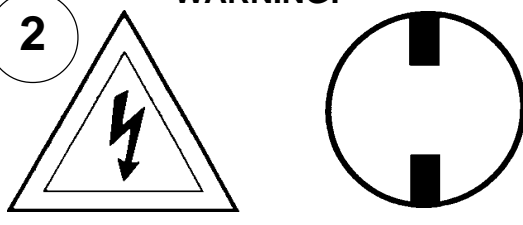


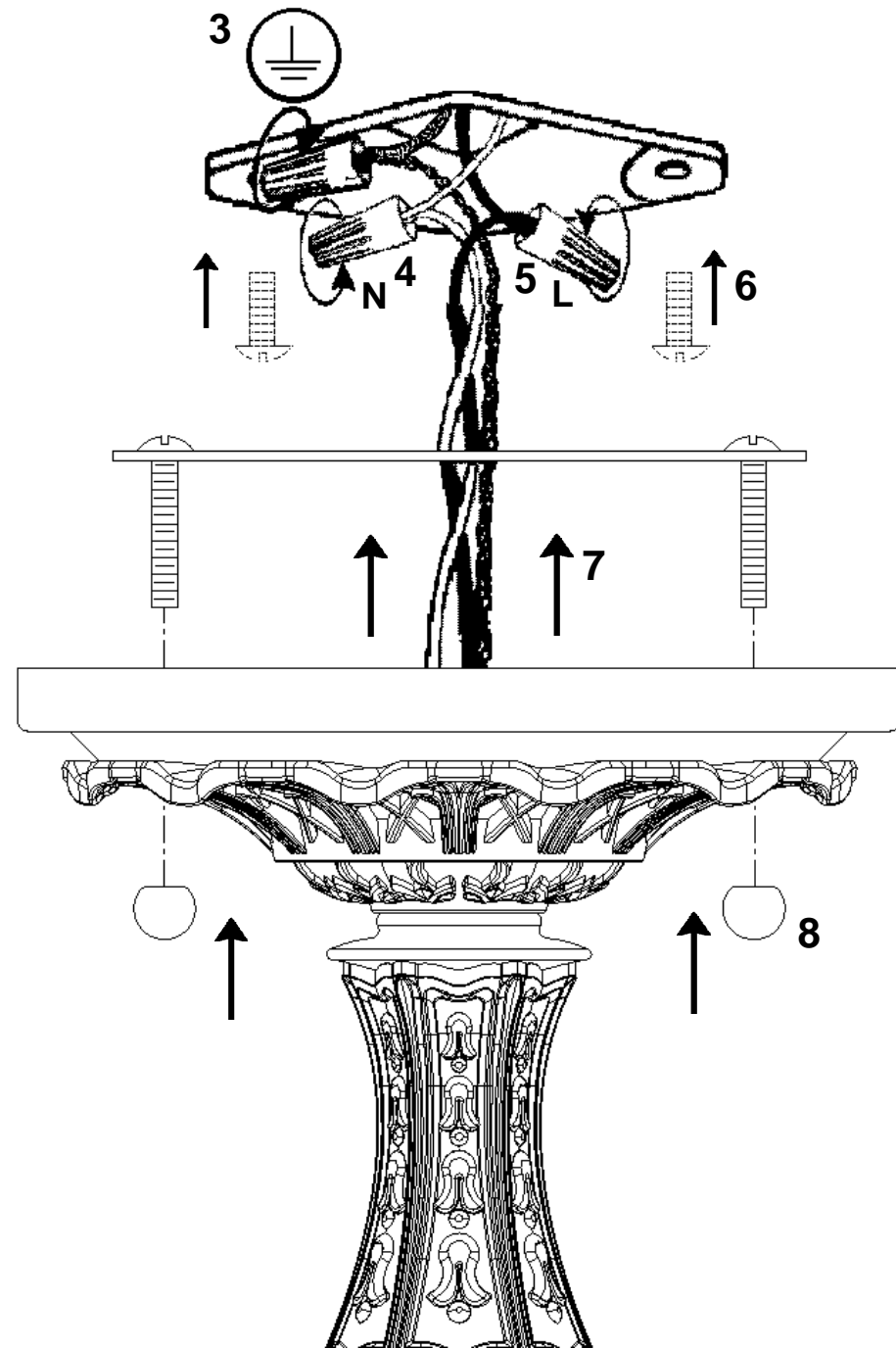
Instructions for electrician
STEPS 2 - 8

2 **WARNING:**

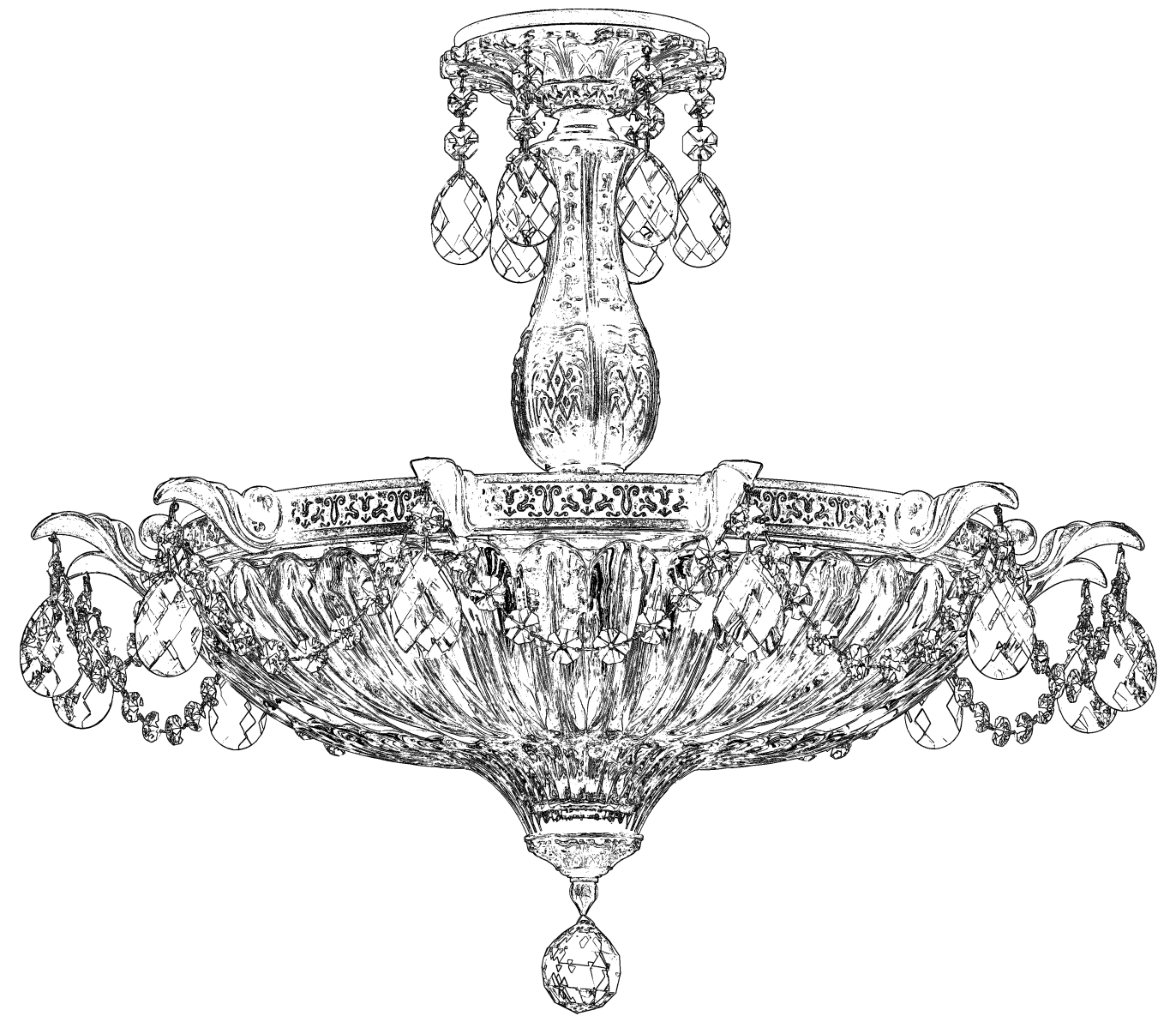


Electrical Danger **Turn Power Off**

All electrical components must be installed by a licensed electrician in accordance with the National Electric Code and the appropriate local electrical codes.



CHANDELIER 5650-___ __O TRIM DIAGRAM
(Finish Option)



THIS DESIGN IS THE PROPRIETARY TRADE DRESS/TRADEMARK OF SCHONBEK WORLDWIDE LIGHTING INC.

4 Lights
Diameter: 22-1/2"
Body Length: 19-1/2"
Hanging Weight: 25lbs.

SCHONBEK®

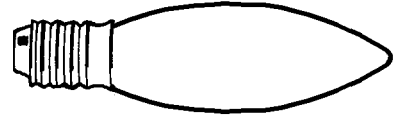
See diagram on back page
Follow steps in exact order
Save this trim diagram for future reference

1 **IMPORTANT**
Person who opens carton should record the following information for future service.

CODE # _____ Four-digit number on outside of carton.
PACKER # _____ See crystal package label.
ORDER # _____ See crystal package label.



Instructions for crystal trimming
STEPS 9 - 16



You will need 4 - B10
 25 Watts Recommended
 60 Watts Max
 MIN 90°C SUPPLY
 CONDUCTORS

**Install bulbs and be
 sure to test fixture
 BEFORE trimming.**

