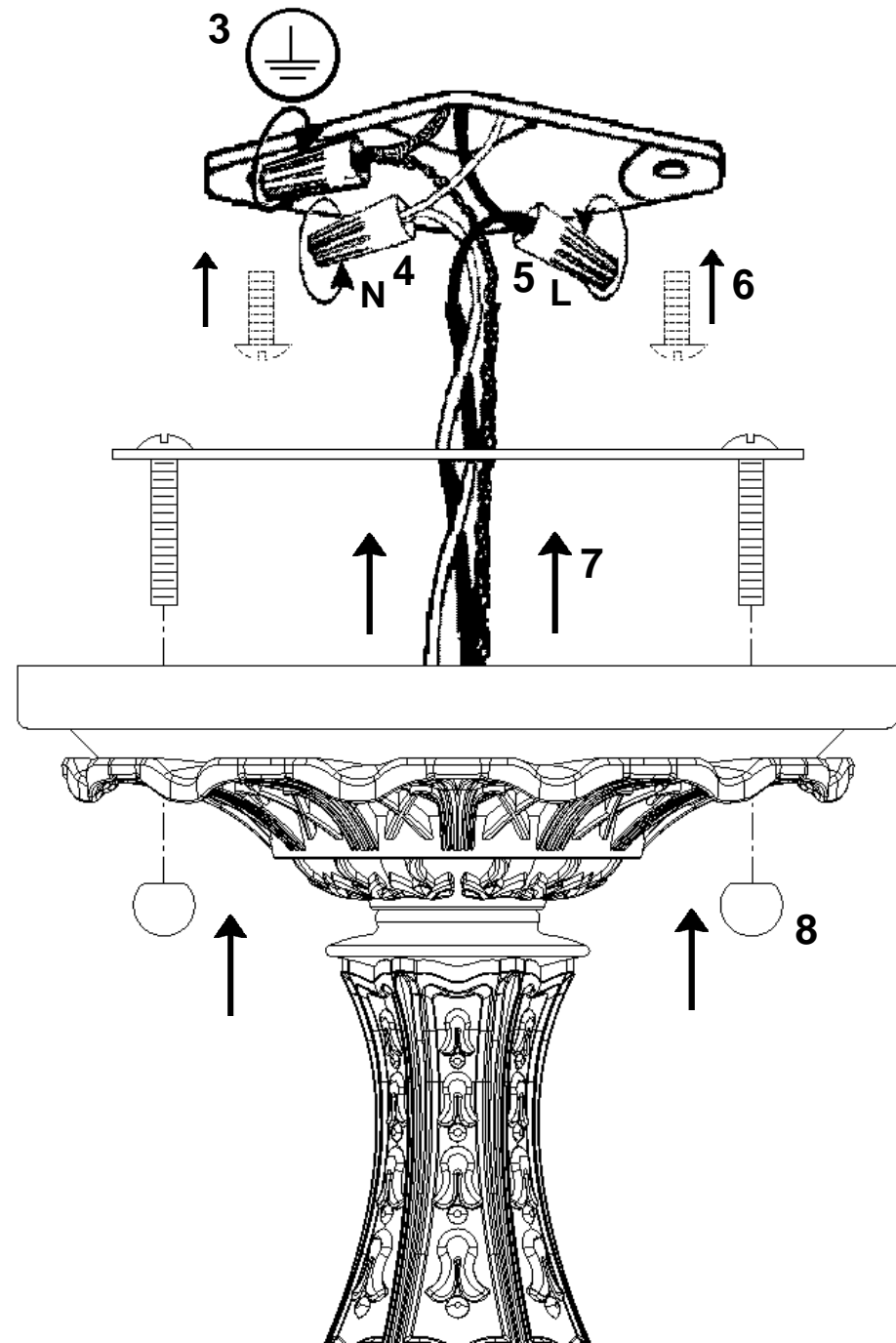


Instructions for electrician  
STEPS 2 - 8

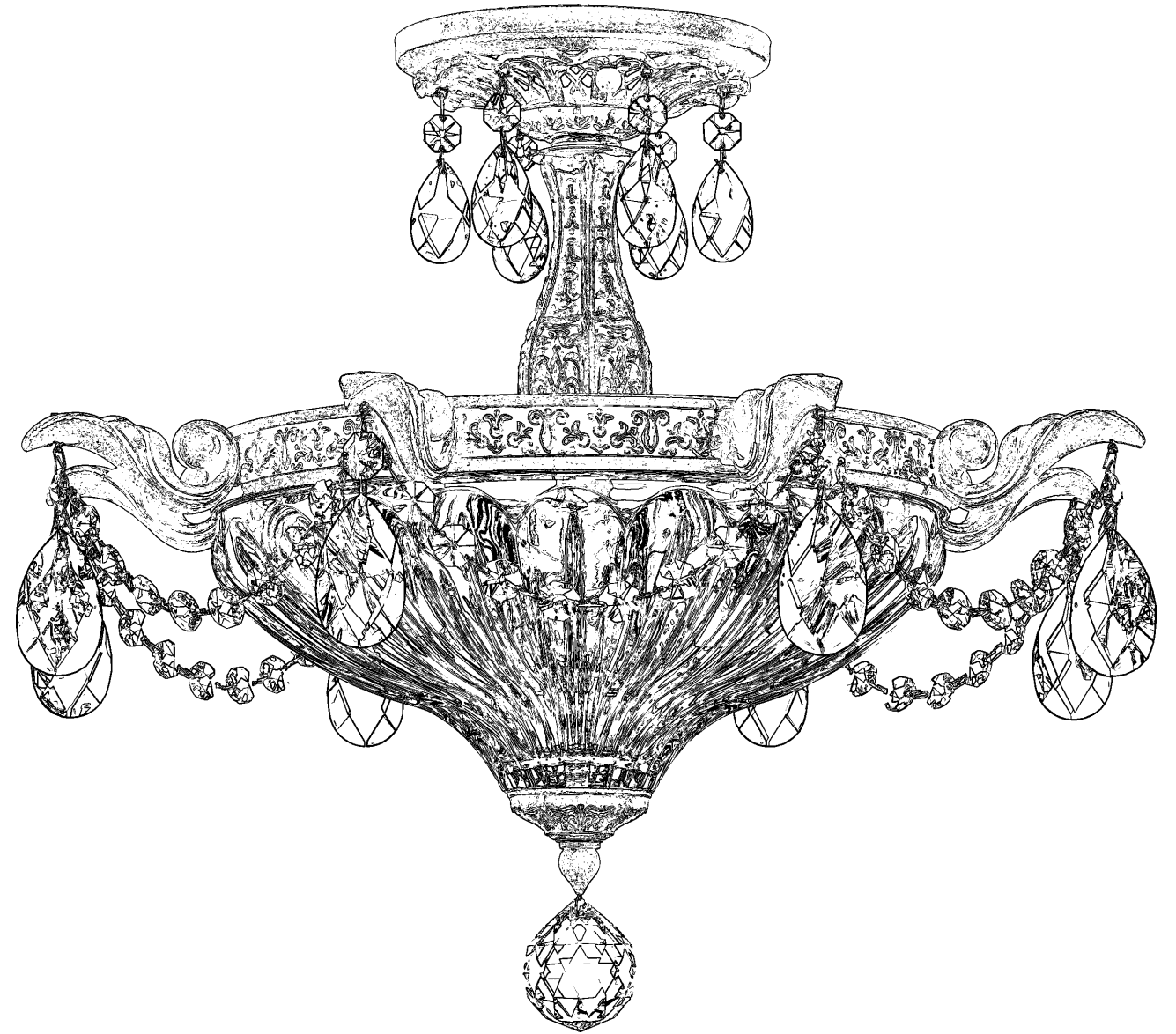
**2** **WARNING:**

**Electrical Danger**    **Turn Power Off**

All electrical components must be installed by a licensed electrician in accordance with the National Electric Code and the appropriate local electrical codes.



**CHANDELIER 5648-\_\_\_ \_\_O TRIM DIAGRAM**  
(Finish Option)



**T**HIS DESIGN IS THE PROPRIETARY TRADE DRESS/TRADEMARK OF SCHONBEK WORLDWIDE LIGHTING INC.

2 Lights  
Diameter: 16-1/2"  
Body Length: 13-1/2"  
Hanging Weight: 8lbs.

**SCHONBEK®**

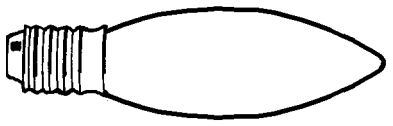
See diagram on back page  
Follow steps in exact order  
Save this trim diagram for future reference

**1** **IMPORTANT**  
*Person who opens carton should record the following information for future service.*

CODE # \_\_\_\_\_ Four-digit number on outside of carton.  
PACKER # \_\_\_\_\_ See crystal package label.  
ORDER # \_\_\_\_\_ See crystal package label.



**Instructions for crystal trimming**  
**STEPS 9 - 16**



You will need 2 - B10  
 25 Watts Recommended  
 60 Watts Max

**Install bulbs and be  
 sure to test fixture  
 BEFORE trimming.**

