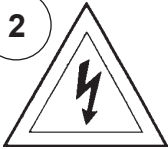


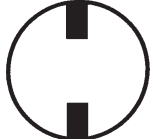
**Instructions for electrician
STEPS 2 - 9**

WARNING:

2

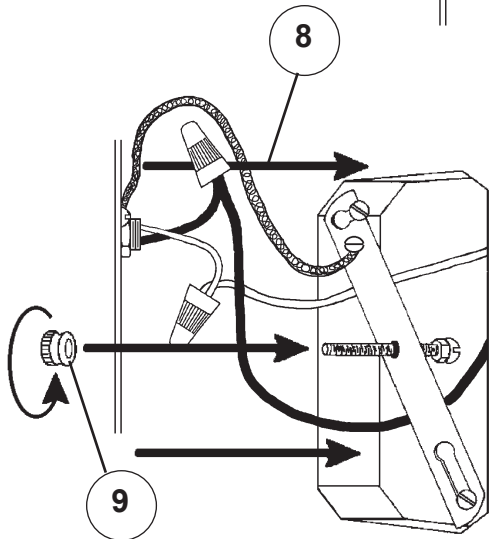
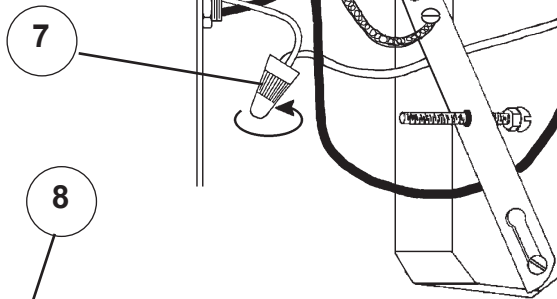
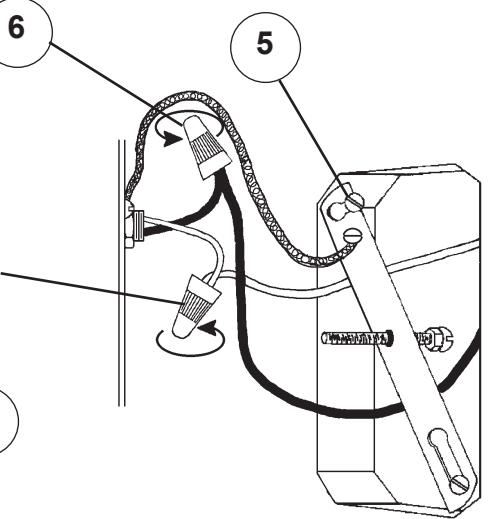
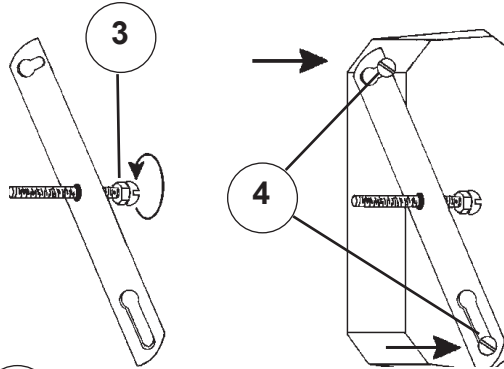


Electrical Danger



Turn Power Off

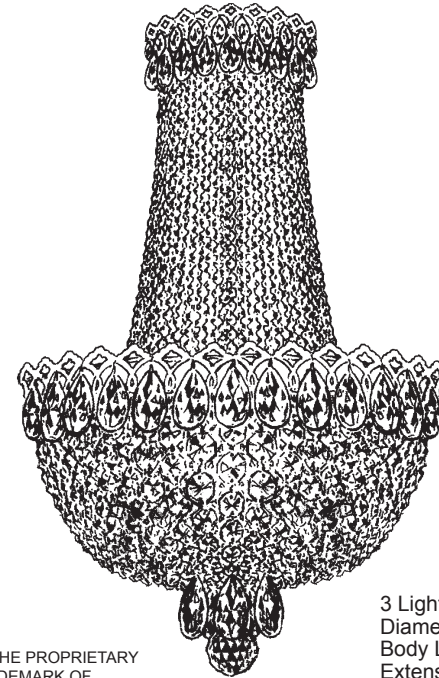
All electrical components must be installed by a licensed electrician in accordance with the National Electric Code and the appropriate local electrical codes.



9

CHANDELIER 2612-___ TRIM DIAGRAM

(Finish Option)



3 Lights
Diameter: 11-1/2"
Body Length: 16-1/2"
Extension: 5-1/2"
Hanging Weight: 6 lbs.

THIS DESIGN IS THE PROPRIETARY TRADE DRESS/TRADEMARK OF SWAROVSKI LIGHTING, LTD.

SCHONBEK®

**See diagram on back page
Follow steps in exact order
Save this trim diagram for future reference**

1

IMPORTANT


Person who opens carton should record the following information for future service.

CODE # _____ Four-digit number on outside of carton.
PACKER # _____ See crystal package label.
ORDER # _____ See crystal package label.

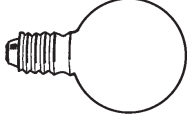


Instructions for crystal trimming
STEPS 10 - 18

10

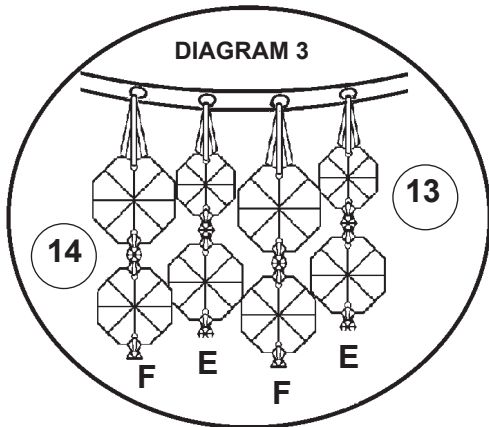


You will need 1 - B10
25 Watts Recommended
40 Watts Max



You will need 2 - G16-1/2
25 Watts Recommended
40 Watts Max

Install bulb and be sure
to test fixture **BEFORE**
trimming.



NOTE: SKIP FIRST HOLE AND HOOK CHAINS "E" INTO SECOND HOLE OF RING 3 NEXT TO THE WALL.

E -Small jewel and then a large jewel at top and graduates to smaller jewels toward bottom of chain.

F -Large jewel at top and graduates to smaller jewels toward bottom of chain.

