



Brookshire

Residential Entrance Handleset

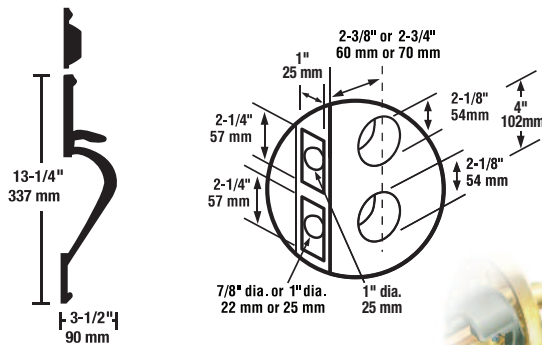
- ANSI/BHMA Grade 1 deadbolt
- Limited lifetime mechanical & finish warranty
- Finish on latches, strikes, and screws match finish on grip handleset
- Adjustable bottom mount through-bolt feature slides up to 1 1/2" to easily fit existing door preps
- Inside trim options include all F-Series knobs & levers designs/finishes



Schlage F-Series Grip Handleset Specifications

CERTIFICATION	ANSI/BHMA Grade 1 deadbolt
FINISH WARRANTY	Limited lifetime warranty*
MECHANICAL WARRANTY	Limited lifetime mechanical warranty
THROW SIZE	Deadbolt throw - 1", handle throw 1/2"
CYLINDER KEYING	5 pin tumbler, C Keyway
DOOR THICKNESS	1-3/4" doors standard. 2-1/4" optional.
CROSS BORE	Deadbolt is 2 1/8" or 1 1/2" Grip is 2 1/8"
EDGE BORE	1"
LATCH/BACKSET	Adjustable to 2-3/8" or 2-3/4"
LATCH FACEPLATE SIZE	1" x 2-1/4"
LATCH FACEPLATE OPTIONS	Round Corner, Square Corner, Drive-In, or Triple Option
KEY MATERIAL	Brass keys - 2 Keys per Lock
DOOR HANDING	Reversible for right- or left-hand doors Specify LH or RH for all lever trim
STRIKES	Deadbolt Strike 1-1/4" x 3-5/8" Handle Strike - 2-1/4" full lip
STRIKE OPTIONS	Specify round corner or square corner. Other options available.
FUNCTIONS	Single-Cylinder; Double-Cylinder, Dummy

* All finishes excluding Oil Rubbed Bronze (613), which is intended to patina and change over time



Adjustable Through-Bolt

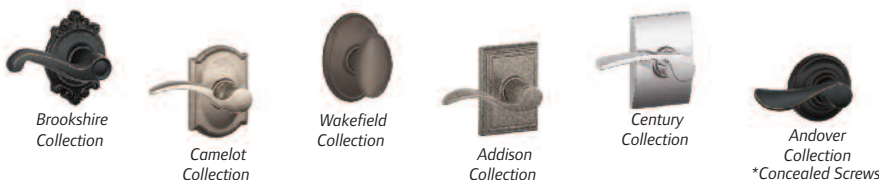
Schlage handlesets feature a patented adjustable through-bolt for a simple and easy installation and a guaranteed fit.

- Through-bolt on handlesets can move up and down 1 1/2" to fit a variety of pre-existing holes
- Handlesets can retrofit over 70% of competitors' current designs
- Eliminates re-drilling hole

Introducing the Schlage Decorative Collections

Our exceptional collections are just the beginning of the expanded choices available both now and in the future — paired with lever and knob designs and finishes in a generous number of combinations to meet the style and security needs of this demanding market:

- Inspired design collections ranging from traditional to contemporary
- Numerous distinctive finishes to choose from
- Pair with your choice of complementing Schlage handlesets
- Solid die-cast construction for durability



Check out Schlage.com
for the latest information.

Finishes



505/605
Bright Brass

609
Antique Brass



619
Satin Nickel

622
Matte Black



716
Aged Bronze

