



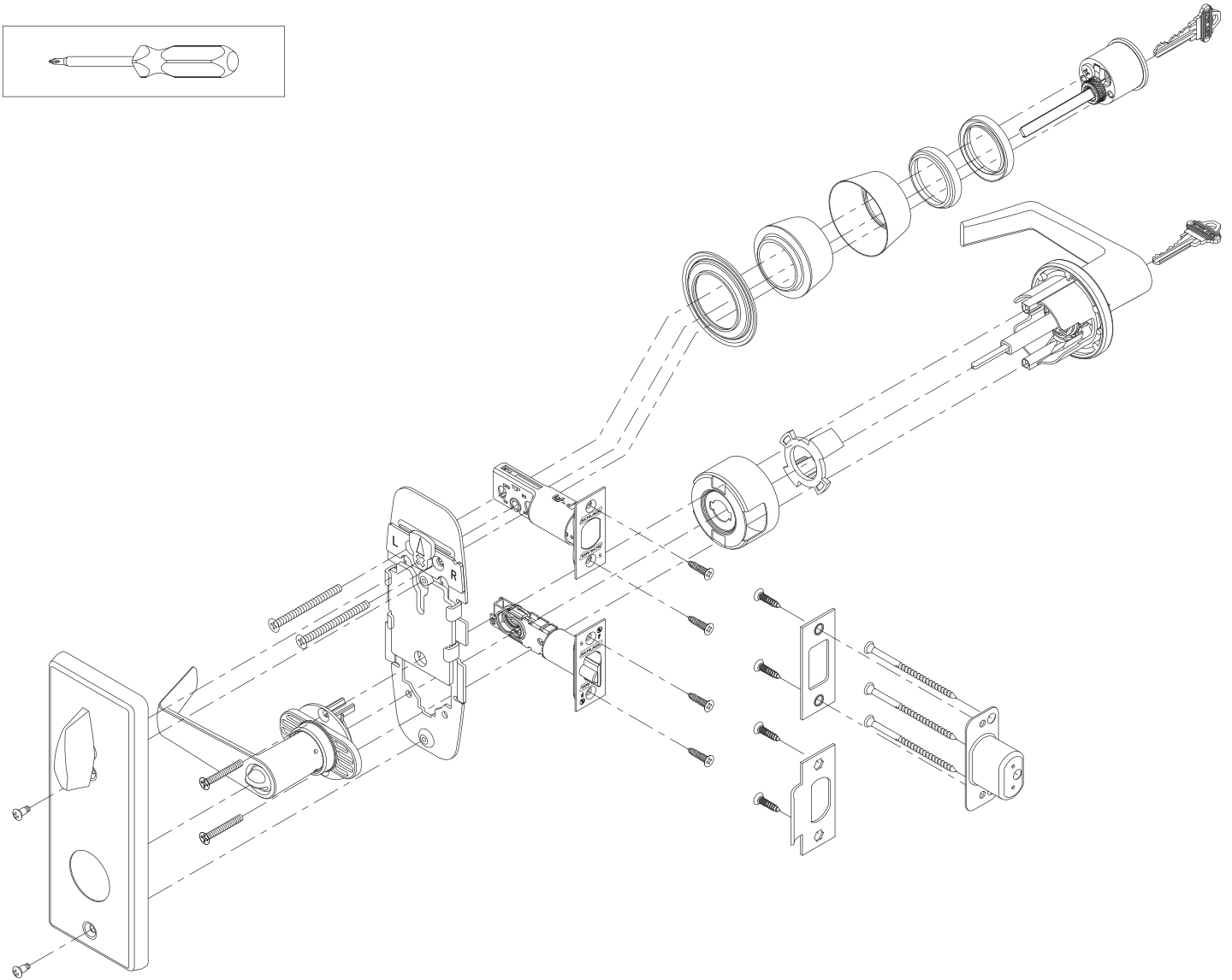
P515-847



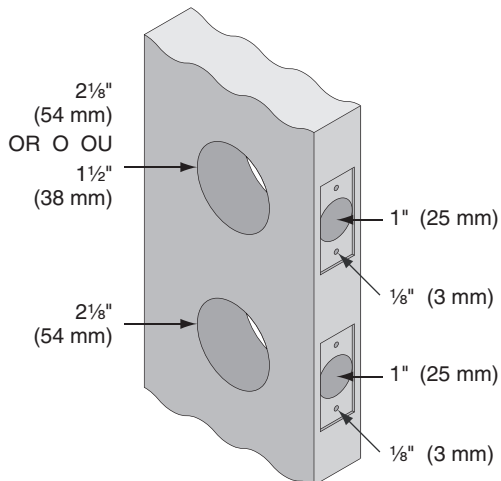
Instrucciones de instalación

Installation Instructions
S210, S251, S270, S280

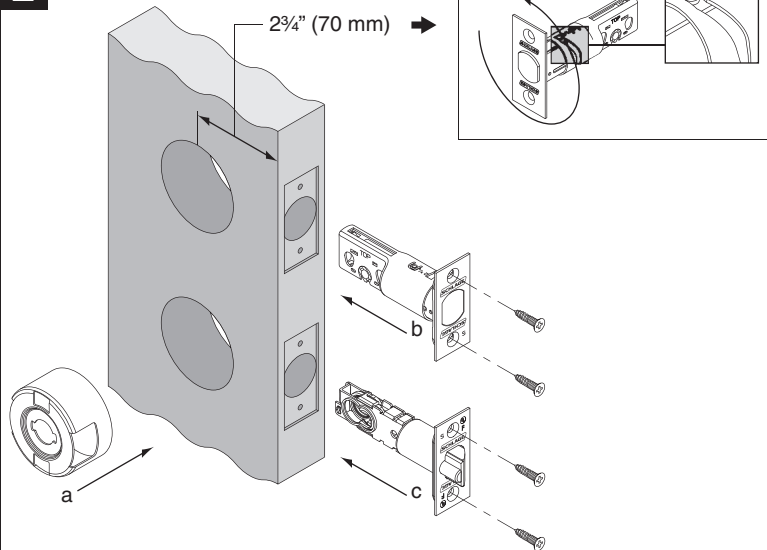
Notice d'installation



1

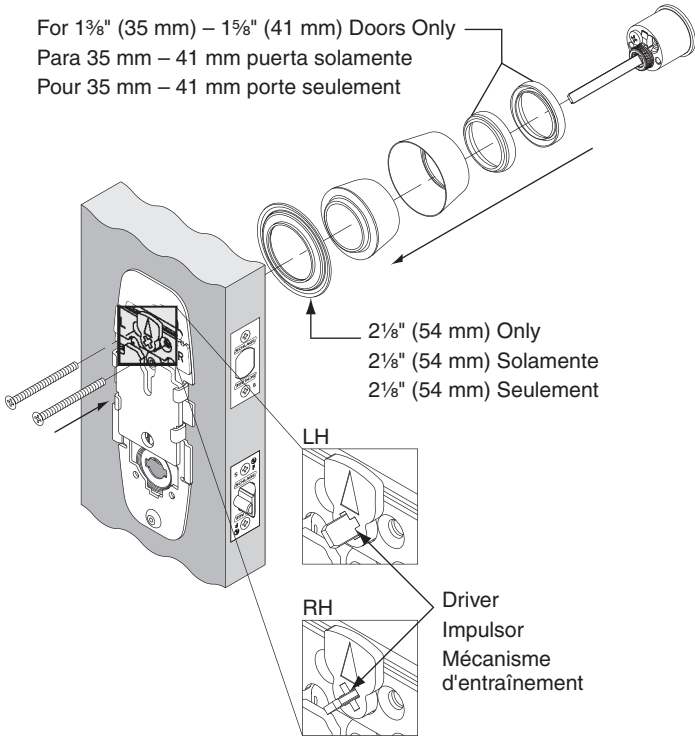


2

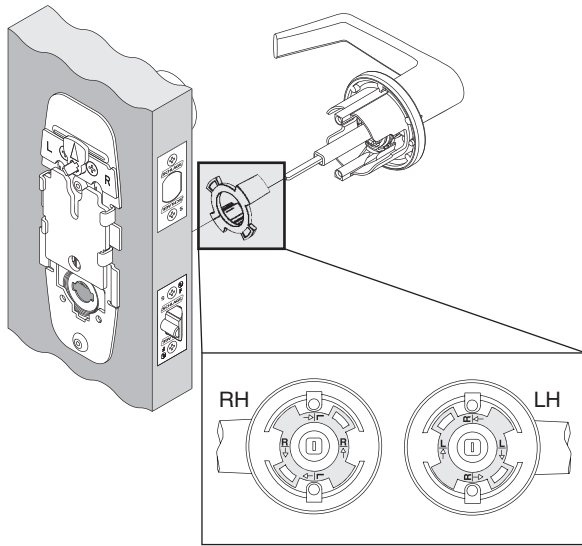


3

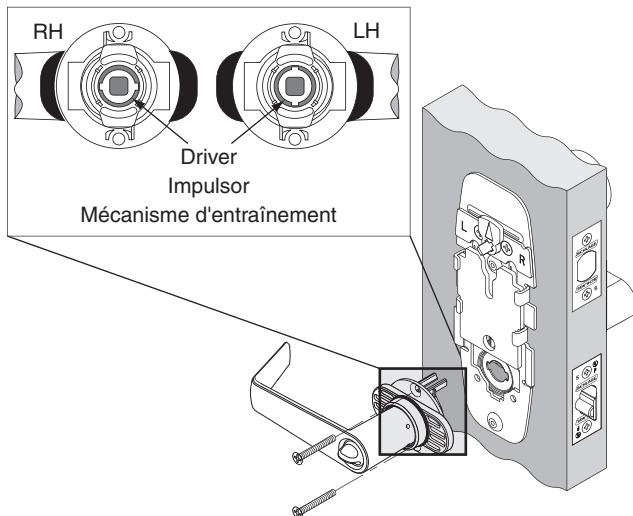
For 1 3/8" (35 mm) – 1 1/2" (41 mm) Doors Only
Para 35 mm – 41 mm puerta solamente
Pour 35 mm – 41 mm porte seulement



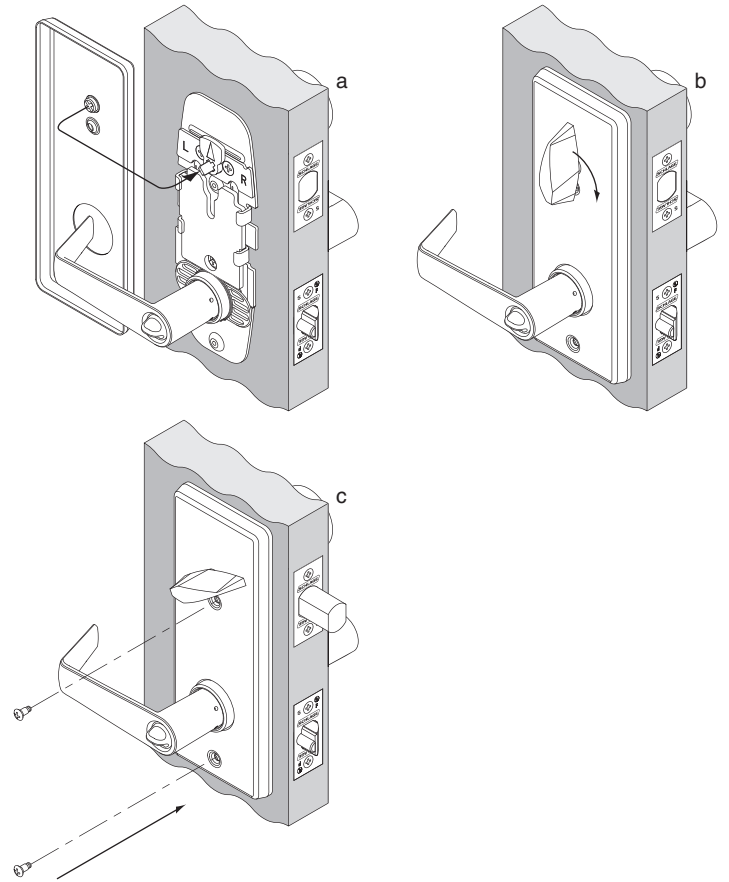
4



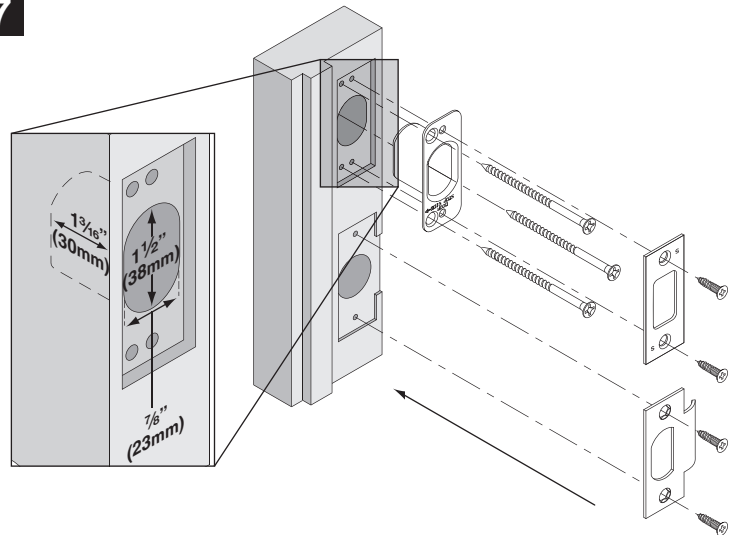
5



6



7



IR Ingersoll Rand
Security Technologies

©2008 Schlage Lock Company
Printed in Country
P515-847 Rev. 02/08-a