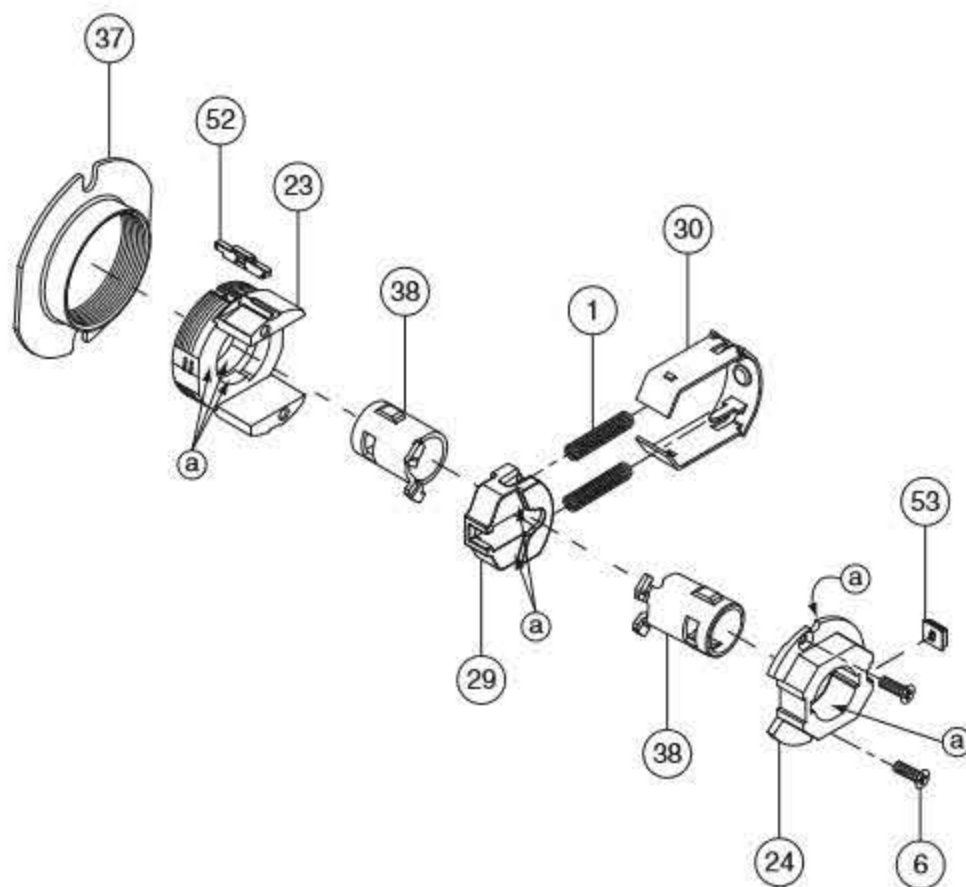


Passage latch

ND10



Ⓐ Apply light film of 100% synthetic grease on surfaces with brush.

No.	Description	Part number
1	Slide spring	C503-019
6	Chassis screw	L583-454
23	Outside housing	24088544
24	Inside hub	24085037
29	Slide	N523-149

No.	Description	Part number
30	Slide clip	N523-025
37	Adjustment plate	N523-054
38	Spindle	N523-056
52	Gauge insert	23988066
53	Insert, inside hub	N523-160*

* Not sold separately as a part.