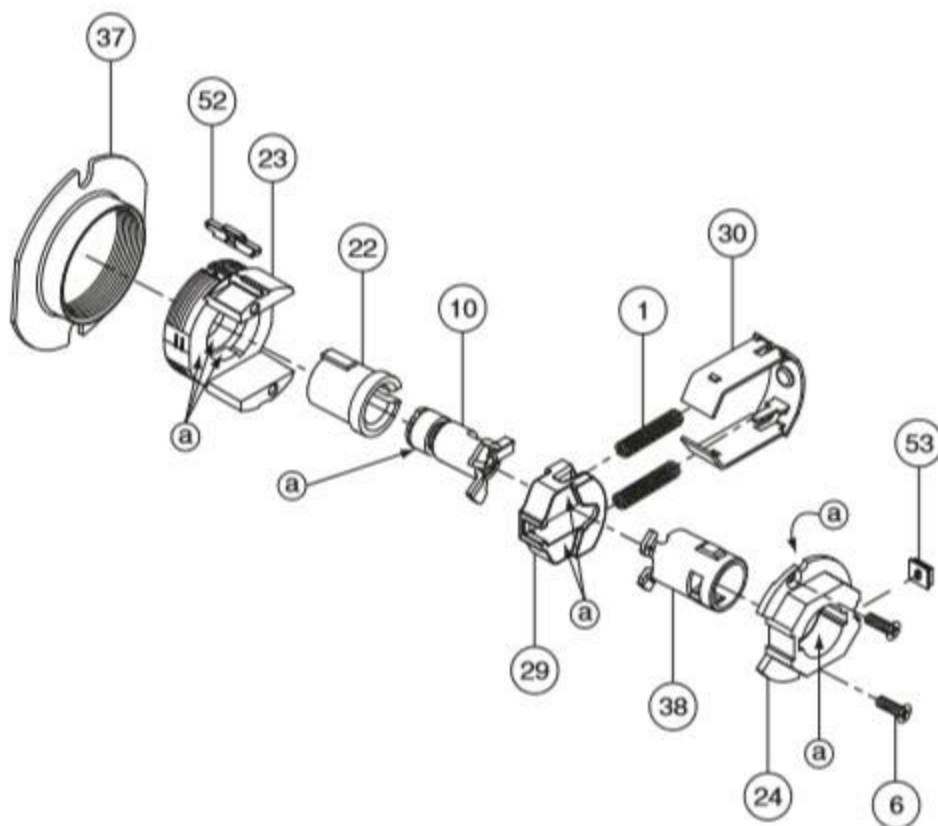


Classroom lock

ND70



Ⓐ Apply light film of 100% synthetic grease on surfaces with brush.

| No. | Description | Part number |
|-----|-----------------|-------------|
| 1 | Slide spring | C503-019 |
| 6 | Chassis screw | L583-454 |
| 10 | Keycam assembly | N123-010 |
| 22 | Spindle | N523-013 |
| 23 | Outside housing | 24088544 |
| 24 | Inside hub | 24085037 |

| No. | Description | Part number |
|-----|--------------------|-------------|
| 29 | Slide | N523-149 |
| 30 | Slide clip | N523-025 |
| 37 | Adjustment plate | N523-054 |
| 38 | Spindle | N523-056 |
| 52 | Gauge insert | 23988066 |
| 53 | Insert, inside hub | N523-160* |

* Not sold separately as a part.