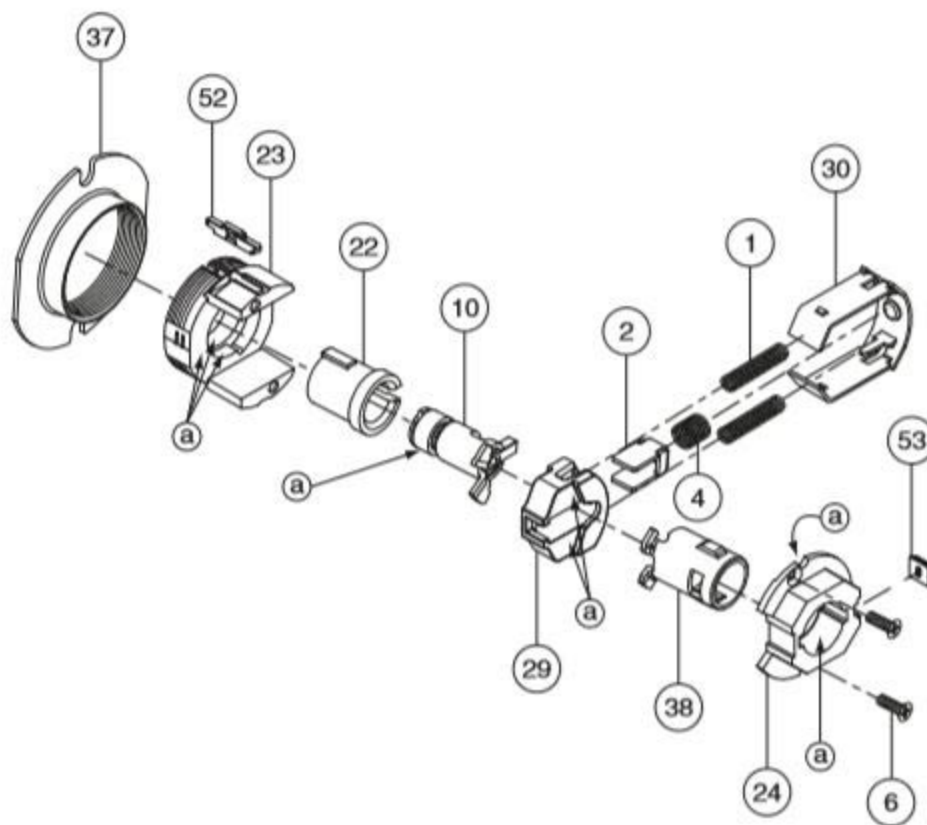


# Corridor lock

ND73



Ⓐ Apply light film of 100% synthetic grease on surfaces with brush.

| No. | Description           | Part number |
|-----|-----------------------|-------------|
| 1   | Slide spring          | C503-019    |
| 2   | Restoring slide catch | C604-187    |
| 4   | Slide catch spring    | C604-191    |
| 6   | Chassis screw         | L583-454    |
| 10  | Keycam assembly       | N123-010    |
| 22  | Spindle               | N523-013    |
| 23  | Outside housing       | 24088544    |

| No. | Description        | Part number |
|-----|--------------------|-------------|
| 24  | Inside hub         | 24085037    |
| 29  | Slide              | N523-149    |
| 30  | Slide clip         | N523-025    |
| 37  | Adjustment plate   | N523-054    |
| 38  | Spindle            | N523-056    |
| 52  | Gauge insert       | 23988066    |
| 53  | Insert, inside hub | N523-160*   |

\* Not sold separately as a part.